

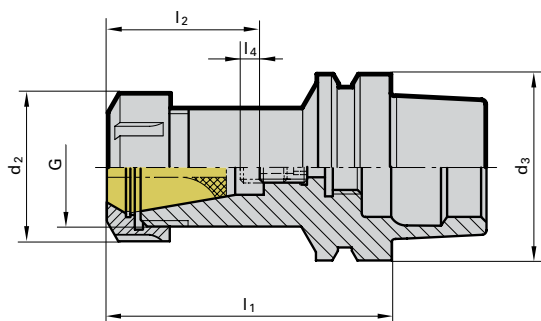
HSK-E collet holders

Product information

- balancing quality: G2.5 / 25,000 rev./min or < 1 gmm residual imbalance
- incl. spanner flat for locking during clamping
- Code no. 16,025 without length adjustment and central cooling

Scope of delivery

- incl. retaining nut Guhring no. 4306 and adjustment screw
- order collet, Guhring no. 4307, clamping key, Guhring no. 4913 and coolant supply set, Guhring no. 4949 separately



Series Number **4397**

HSK-E d ₃	Nominal size	clamping range	d ₂ mm	G	l ₁ mm	l ₂ mm	l ₄ mm	kg	Order Code	EDP Numbers
25	ER 16 mini	1-10	22	M19 x 1.0	43	-	-	0.10	16.025	9043970160250
32	ER 16 mini	1-10	22	M19 x 1.0	60	32	4	0.20	16.032	9043970160320
32	ER 20 mini	1-13	28	M24 x 1.0	60	35	4	0.25	20.032	9043970200320
40	ER 16	1-10	28	M22 x 1.5	60	38	4	0.30	16.040	9043970160400
40	ER 20 mini	1-13	28	M24 x 1.0	65	37	6	0.30	20.040	9043970200400
40	ER 25 mini	2-16	35	M30 x 1.0	80	38	6	0.40	25.040	9043970250400
50	ER 16	1-10	28	M22 x 1.5	100	33	4	0.50	16.050	9043970160500
50	ER 20	1-13	34	M25 x 1.5	70	37.5	4	0.50	20.050	9043970200500
50	ER 25	2-16	42	M32 x 1.5	80	39	6	0.70	25.050	9043970250500
50	ER 32	3-20	50	M40 x 1.5	100	50	6	1.00	32.050	9043970320500
63	ER 32	3-20	50	M40 x 1.5	90	52	6	1.00	32.063	9043970320630
63	ER 40	4-26	63	M50 x 1.5	120	65	10	1.20	40.063	9043970400630