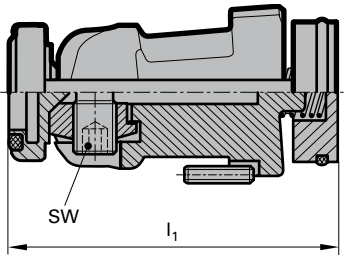


PowerClamp sets

Product information

- the internal coolant delivery is via the cage. It is floating mounted and ensures a coolant seal above 6 bar pressure.
- for a coolant pressure up to 80 bar
- the coolant sets are not suitable for MQL



Scope of delivery

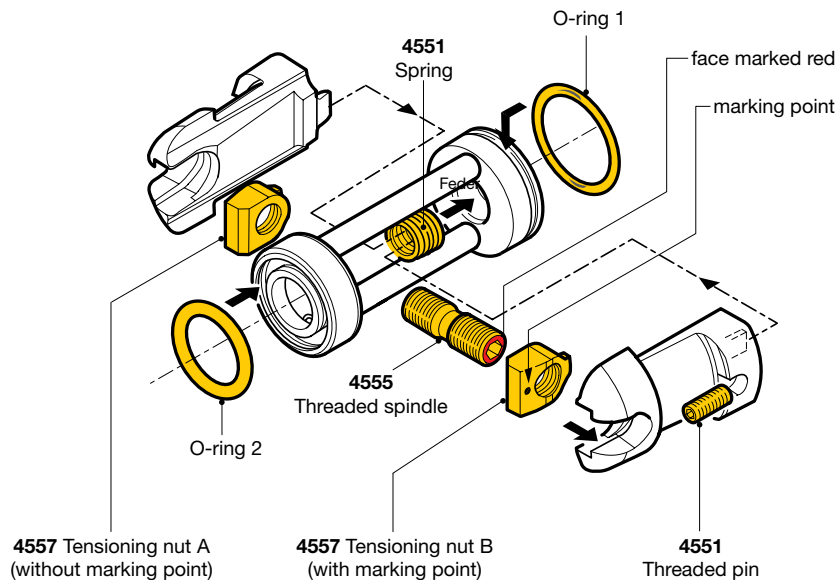
- including installation and operating instructions
- incl. threaded pin Guhring no. 4551



Series Number **4554**

for HSK-C	l_1 mm	SW	kg	Order Code	EDP Numbers
25	32.1	2	0.02	19.000	9045540190000
32	41.6	2.5	0.05	24.000	9045540240000
40	49.7	3	0.09	30.000	9045540300000
50	62.2	4	0.18	38.000	9045540380000
63	74.1	5	0.37	48.000	9045540480000
80	96.1	6	0.73	60.000	9045540600000
100	117	8	1.36	75.000	9045540750000

Component parts for PowerClamp sets Guhring no. 4554



Series Number **4557** **4555** **4551**

for HSK-C	O-rings 1 Ø/thickness	O-rings 2 Ø/thickness	EDP Numbers Tensioning nut set	EDP Numbers Threaded spindle	EDP Numbers Spring and threaded pin
25	11.5 × 1.0	7.0 × 2.0	9045570010190	9045550020190	9045510030190
32	14.0 × 1.5	10.0 × 2.5	9045570010240	9045550020240	9045510030240
40	18.0 × 1.5	12.5 × 2.5	9045570010300	9045550020300	9045510030300
50	22.0 × 1.5	16.0 × 3.0	9045570010380	9045550020380	9045510030380
63	28.0 × 2.0	21.0 × 3.0	9045570010480	9045550020480	9045510030480
80	36.0 × 3.0	25.0 × 4.0	9045570010600	9045550020600	9045510030600
100	45.0 × 3.0	32.0 × 5.0	9045570010750	9045550020750	9045510030750