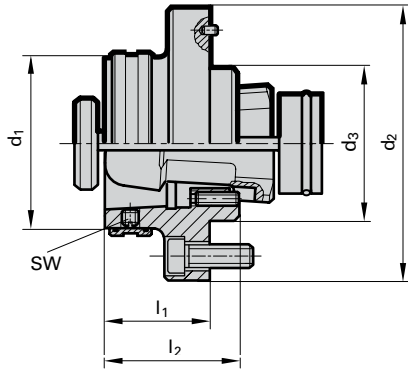


## HSK adaptors (in front)

### Product information

- for the transferable torsional moment the interface between spindle and flange has to be taken into consideration.
- for conventional cooling from 6 to max. 80 bar



### Scope of delivery

- incl. clamping set, Guhring no. 4554
- incl. brass lock ring Guhring no. 4953
- incl. indexing pin and retention screws



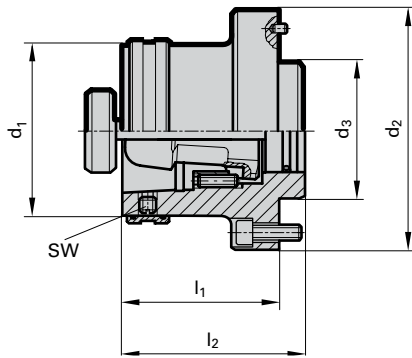
Series Number **4581**

HSK-C $d_1$	$d_2$ mm	$d_3$ mm	$l_1$ mm	$l_2$ mm	SW	kg	Order Code	EDP Numbers
25	45	23	20	26.5	2	0.17	19.000	9045810190000
32	55	28	17.5	23	2.5	0.22	24.000	9045810240000
40	63	36	22.5	29	3	0.4	30.000	9045810300000
50	80	46	27.5	36	4	0.74	38.000	9045810380000
63	100	56	35	46	5	1.5	48.000	9045810480000
80	125	66	45	58	6	2.94	60.000	9045810600000
100	160	86	57	72	8	5.9	75.000	9045810750000

## HSK spindle adaptors (in front)

### Product information

- for the transferable torsional moment the interface between spindle and flange has to be taken into consideration.
- for conventional cooling from 6 to max. 80 bar



### Scope of delivery

- incl. clamping set, Guhring no. 4554
- incl. brass lock ring Guhring no. 4953
- incl. indexing pin and retention screws



Series Number **4586**

HSK-C $d_1$	$d_2$ mm	$d_3$ mm	$l_1$ mm	$l_2$ mm	SW	kg	Order Code	EDP Numbers
40	70	35	32.5	42.5	3	0.55	30.000	9045860300000
50	80	40	43	53	4	1	38.000	9045860380000
63	100	50	53	65	5	1.9	48.000	9045860480000
80	117	60	73	85	6	3.6	60.000	9045860600000
100	140	80	94	106	8	7.2	75.000	9045860750000