

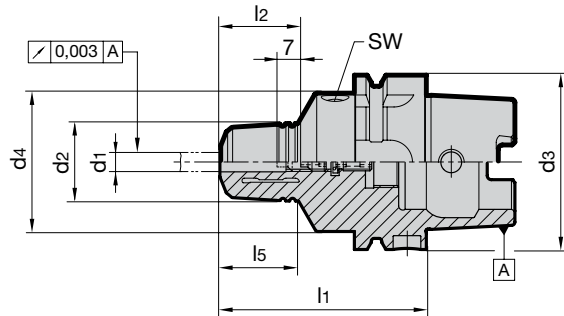
HSK-A hydraulic chucks HMC 3000 for clamping small diameters

Product information

- perfect concentricity: $< 3 \mu\text{m}$ at 10xd1
- balancing quality: G2.5 / 25,000 rev./min or U < 1gmm
- HSK-A to DIN 69893
- high clamping force
- quick, simple handling and accurate length setting
- IC and GÜHROJET peripheral cooling ensure optimal chip evacuation and tool lubrication

Scope of delivery

- incl. length adjustment screw
- incl. hexagon chuck key Guhring no. 4912
- order coolant delivery set Guhring no. 4949 separately



GÜHROJET

Series Number **4618**

HSK-A d_3	for shank \varnothing $d_{1\text{h6}}$ mm	d_2 mm	d_4 mm	l_1 mm	l_2 mm	l_5 mm	SW	Order Code	EDP Numbers
32	3	28	40	84	34	33	4	3.032	9046180030320
32	4	28	40	84	34	33	4	4.032	9046180040320
32	5	28	40	84	34	33	4	5.032	9046180050320
40	3	28	33.5	74	34	40	4	3.040	9046180030400
40	4	28	33.5	74	34	40	4	4.040	9046180040400
40	5	28	33.5	74	34	40	4	5.040	9046180050400
50	3	28	40	74	34	32	4	3.050	9046180030500
50	4	28	40	74	34	32	4	4.050	9046180040500
50	5	28	40	74	34	32	4	5.050	9046180050500
63	3	28	50	74	34	28.5	5	3.063	9046180030630
63	4	28	50	74	34	28.5	5	4.063	9046180040630
63	5	28	50	74	34	28.5	5	5.063	9046180050630
100	3	28	50	79	34	30	5	3.100	9046180031000
100	4	28	50	79	34	30	5	4.100	9046180041000
100	5	28	50	79	34	30	5	5.100	9046180051000