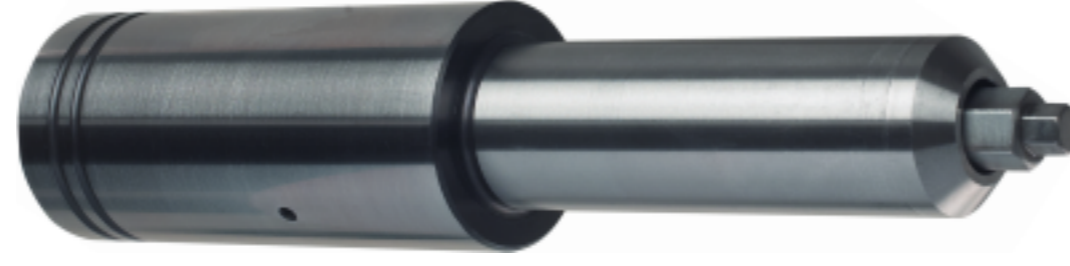


Use this number when searching for this item:

## 9047180060000

### UNIVERSAL LENGTH PRE-SETTING ADAPTER FOR



#### >> Item Info

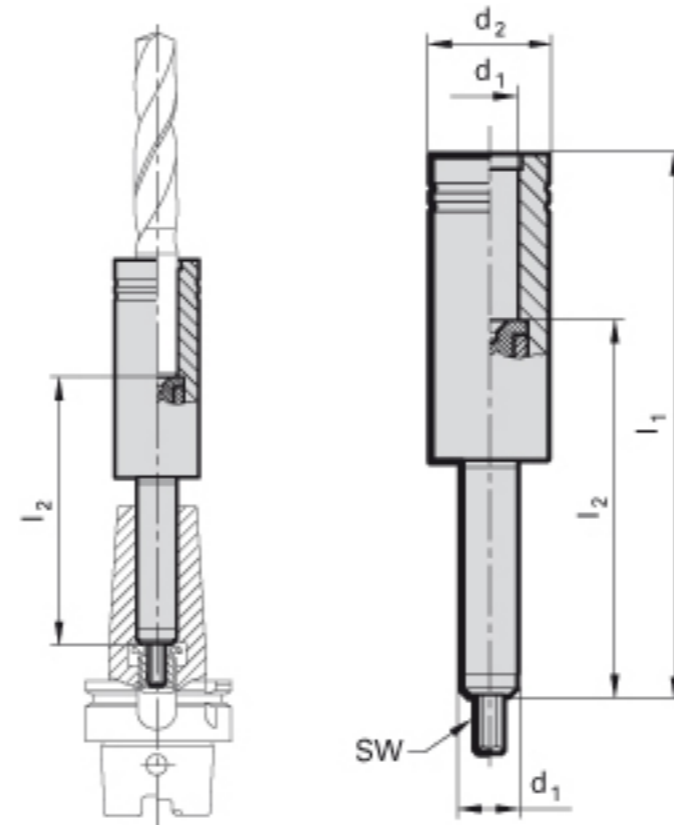
EDP #	9047180060000
Series	4718
Order Code	6.000
Coating	Bright
Coolant	Without
Dia. Range	-
	Cyl.

#### >> Features

- for shrink fit and hydraulic chucks
- for length pre-setting of the setting screw with the cutting tool (less difference dimension  $l_2$ , see sketch)
- flexibly mounted hexagonal key SW1/SW2 (\*only available as rigid design)
- with standard screws suitable for wet application art. no. 4900, 4941, 4977
- with standard screws suitable for wet application art. no. 4900, 4941, 4977

#### >> Suggested Materials

#### >> Technical Specs



EDP #	Code No.	Description
9047180060000	6.000	UNIVERSAL LENGTH PRE-SETTING ADAPTER FOR

\*\*\* **DISCLAIMER:** Data on this PDF is subject to change at any time without notice.