

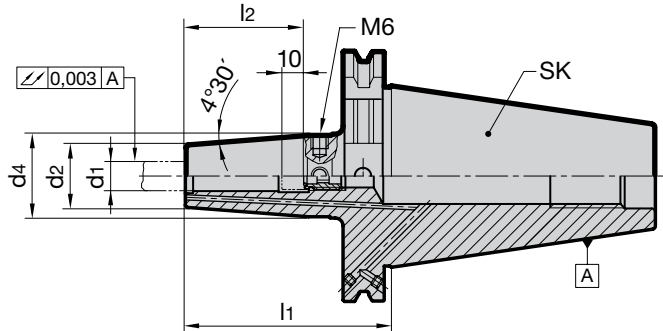
# ISO taper shrink fit chucks GÜHROJET

## Product information

- balancing quality: G2.5 / 25,000 rev./min or U < 1gmm
- incl. balancing thread 4xM6/6xM6
- ISO taper to DIN 69871 form AD/B
- for tool shank tolerance h6
- optimized cooling for tools without internal coolant ducts
- good chip evacuation and increased process reliability

## Scope of delivery

- incl. setting screw Guhring no. 4977
- order pull studs Guhring no. 4925, 4926 separately
- special dimensions on request



**GÜHROJET**

Series Number

4729

ISO taper	for shank Ø d <sub>1 h6</sub> mm	d <sub>2</sub> mm	d <sub>4</sub> mm	l <sub>1</sub> mm	l <sub>2</sub> mm	incl. setting screw Guh. no. Code no.	kg	Order Code	EDP Numbers
40	6	21	27	80	36	9049770060140	1.00	6.040	9047290060400
40	8	21	27	80	36	9049770080140	1.00	8.040	9047290080400
40	10	24	32	80	41	9049770100140	1.10	10.040	9047290100400
40	12	24	32	80	46	9049770120140	1.00	12.040	9047290120400
40	14	27	34	80	46	9049770120140	1.10	14.040	9047290140400
40	16	27	34	80	49	9049770160140	1.10	16.040	9047290160400
40	18	33	42	80	49	9049770160140	1.20	18.040	9047290180400
40	20	33	42	80	51	9049770201140	1.50	20.040	9047290200400
50	6	21	27	80	36	9049770060140	2.80	6.050	9047290060500
50	8	21	27	80	36	9049770080140	2.80	8.050	9047290080500
50	10	24	32	80	41	9049770100140	2.80	10.050	9047290100500
50	12	24	32	80	46	9049770120140	2.80	12.050	9047290120500
50	14	27	34	80	46	9049770120140	2.80	14.050	9047290140500
50	16	27	34	80	49	9049770160140	2.80	16.050	9047290160500
50	18	33	42	80	49	9049770160140	3.00	18.050	9047290180500
50	20	33	42	80	51	9049770201140	3.00	20.050	9047290200500
50	25	44	53	100	57	9049770201140	3.50	25.050	9047290250500
50	32	44	53	100	61	9049770201140	3.30	32.050	9047290320500