

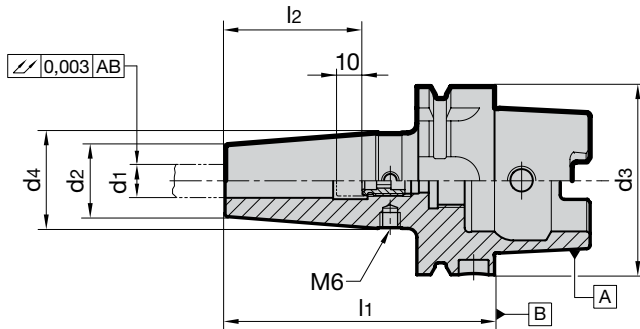
HSK-A shrink fit chucks

Product information

- balancing quality: G2.5 / 25,000 rev./min or U< 1gmm
- incl. balancing thread 4xM6/6xM6
- to DIN 69882-8
- for tool shank tolerance h6
- also available in the lengths $l_1 = 120$ mm, 160 mm (concentricity 5 μ m) and 200 mm (concentricity 7 μ m)

Scope of delivery

- incl. setting screw Guhring no. 4977 or 4904
- for conventional cooling order coolant delivery set, Guhring no. 4949, separately
- special dimensions on request



Series Number **4736**

HSK-A d_3	for shank \varnothing d_1 h6 mm	d_2 mm	d_4 mm	l_1 mm	l_2 mm	incl. setting screw Guh. no. Code no.	kg	Order Code	EDP Numbers
32	6	21	26	70	36	9049770060140	0.30	6.032	9047360060320
32	8	21	26	70	36	9049770080140	0.30	8.032	9047360080320
32	10	24	29	75	41	9049770100140	0.30	10.032	9047360100320
32	12	24	29	80	46	9049770120140	0.30	12.032	9047360120320
40	6	21	27	80	36	9049770060140	0.40	6.040	9047360060400
40	8	21	27	80	36	9049770080140	0.40	8.040	9047360080400
40	10	24	32	80	41	9049770100140	0.50	10.040	9047360100400
40	12	24	32	90	46	9049770120140	0.50	12.040	9047360120400
40	14	27	34	90	46	9049770120140	0.60	14.040	9047360140400
40	16	27	34	90	49	9049770160140	0.50	16.040	9047360160400
40	18	33	42	95	49	9049770160140	0.90	18.040	9047360180400
40	20	33	42	100	51	9049770201140	0.90	20.040	9047360200400
50	6	21	27	80	36	9049770060140	0.60	6.050	9047360060500
50	8	21	27	80	36	9049770080140	0.60	8.050	9047360080500
50	10	24	32	85	41	9049770100140	0.70	10.050	9047360100500
50	12	24	32	90	46	9049770120140	0.70	12.050	9047360120500
50	14	27	34	90	46	9049770120140	0.70	14.050	9047360140500
50	16	27	34	95	49	9049770160140	1.00	16.050	9047360160500
50	18	33	42	95	49	9049770160140	0.90	18.050	9047360180500
50	20	33	42	100	51	9049770201140	0.90	20.050	9047360200500
63	1/8	10	18	80	36	9049040050160	0.70	903.063	9047369030630
63	3/16	10	18	80	40	9049040080180	0.70	904.063	9047369040630
63	1/4	20	27	80	36	9049770060140	0.80	906.063	9047369060630
63	5/16	21	27	80	36	9049770080140	0.80	907.063	9047369070630
63	3/8	24	32	85	41	9049770080140	0.80	909.063	9047369090630
63	1/2	24	32	90	46	9049770120140	0.90	912.063	9047369120630
63	5/8	27	34	95	49	9049770120140	1.00	915.063	9047369150630
63	3/4	33	42	100	49	9049770160140	1.20	919.063	9047369190630
63	1	44	53	115	57	9049770201140	1.80	925.063	9047369250630
63	3	10	18	80	30	9049040050160	0.70	3.063	9047360030630
63	4	10	18	80	35	9049040060160	0.70	4.063	9047360040630
63	5	10	18	80	40	9049040080180	0.70	5.063	9047360050630
63	6	21	27	80	36	9049770060140	0.80	6.063	9047360060630
63	8	21	27	80	36	9049770080140	0.80	8.063	9047360080630
63	10	24	32	85	41	9049770100140	0.90	10.063	9047360100630
63	12	24	32	90	46	9049770120140	0.90	12.063	9047360120630
63	14	27	34	90	46	9049770120140	1.00	14.063	9047360140630

HSK-A shrink fit chucks GÜHROJET with peripheral cooling

Product information

- balancing quality: G2.5 / 25,000 rev./min or U< 1gmm
- incl. balancing thread 4xM6/6xM6
- to DIN 69882-8
- for tool shank tolerance h6
- also available in the lengths l1 = 120 mm, 160 mm (concentricity 5 µm) and 200 mm (concentricity 7 µm)

Scope of delivery

- incl. setting screw Guhring no. 4977 or 4904
- for conventional cooling order coolant delivery set, Guhring no. 4949, separately
- special dimensions on request

Series Number

4736

HSK-A d ₃	for shank Ø d _{1 h6} mm	d ₂ mm	d ₄ mm	l ₁ mm	l ₂ mm	incl. setting screw Guh. no. Code no.	kg	Order Code	EDP Numbers
63	16	27	34	95	49	9049770160140	1.00	16.063	9047360160630
63	18	33	42	95	49	9049770160140	1.20	18.063	9047360180630
63	20	33	42	100	51	9049770201140	1.20	20.063	9047360200630
63	25	44	53	115	57	9049770201140	1.80	25.063	9047360250630
63	3	10	25	120	30	9049040050160	0.80	203.063	9047362030630
63	4	10	25	120	35	9049040060160	0.80	204.063	9047362040630
63	5	10	25	120	40	9049040080180	0.80	205.063	9047362050630
63	6	21	27	120	36	9049770060140	0.90	206.063	9047362060630
63	8	21	27	120	36	9049770080140	1.00	208.063	9047362080630
63	10	24	32	120	41	9049770100140	1.10	210.063	9047362100630
63	12	24	32	120	46	9049770120140	1.20	212.063	9047362120630
63	14	27	34	120	46	9049770120140	1.20	214.063	9047362140630
63	16	27	34	120	49	9049770160140	1.20	216.063	9047362160630
63	18	33	42	120	49	9049770160140	1.40	218.063	9047362180630
63	20	33	42	120	51	9049770200140	1.40	220.063	9047362200630
63	32	44	53	120	61	9049770201140	1.70	32.063	9047360320630
63	3	10	31	160	30	9049040050160	0.90	103.063	9047361030630
63	4	10	31	160	35	9049040060160	0.90	104.063	9047361040630
63	5	10	31	160	40	9049040080180	0.90	105.063	9047361050630
63	6	21	27	160	36	9049770060140	1.10	106.063	9047361060630
63	8	21	27	160	36	9049770080140	1.10	108.063	9047361080630
63	10	24	32	160	41	9049770100140	1.30	110.063	9047361100630
63	12	24	32	160	46	9049770120140	1.30	112.063	9047361120630
63	14	27	34	160	46	9049770120140	1.40	114.063	9047361140630
63	16	27	34	160	49	9049770160140	1.40	116.063	9047361160630
63	18	33	42	160	49	9049770160140	1.60	118.063	9047361180630
63	20	33	42	160	51	9049770201140	1.60	120.063	9047361200630
63	25	44	53	160	57	9049770201140	1.80	125.063	9047361250630
63	32	44	53	160	61	9049770201140	1.70	132.063	9047361320630
63	6	21	27	200	36	9049770060140	1.30	306.063	9047363060630
63	8	21	27	200	36	9049770080140	1.30	308.063	9047363080630
63	10	24	32	200	41	9049770100140	1.50	310.063	9047363100630
63	12	24	32	200	46	9049770120140	1.50	312.063	9047363120630
63	14	27	34	200	46	9049770120140	1.70	314.063	9047363140630
63	16	27	34	200	49	9049770160140	1.70	316.063	9047363160630
63	18	33	42	200	49	9049770160140	1.80	318.063	9047363180630
63	20	33	42	200	51	9049770201140	1.80	320.063	9047363200630
63	25	44	53	200	57	9049770201140	2.00	325.063	9047363250630
63	32	44	53	200	61	9049770201140	1.90	332.063	9047363320630
80	6	21	27	85	36	9049770060140	1.30	6.080	9047360060800
80	8	21	27	85	36	9049770080140	1.30	8.080	9047360080800
80	10	24	32	90	41	9049770100140	1.40	10.080	9047360100800
80	12	24	32	95	46	9049770120140	1.40	12.080	9047360120800
80	14	27	34	95	46	9049770120140	1.50	14.080	9047360140800
80	16	27	34	100	49	9049770160140	1.50	16.080	9047360160800
80	18	33	42	100	49	9049770160140	1.70	18.080	9047360180800
80	20	33	42	105	51	9049770201140	1.70	20.080	9047360200800
80	25	44	53	115	57	9049770201140	2.20	25.080	9047360250800
80	32	44	53	120	61	9049770201140	2.10	32.080	9047360320800

HSK-A shrink fit chucks

Product information

- balancing quality: G2.5 / 25,000 rev./min or U< 1gmm
- incl. balancing thread 4xM6/6xM6
- to DIN 69882-8
- for tool shank tolerance h6
- also available in the lengths l1 = 120 mm, 160 mm (concentricity 5 µm) and 200 mm (concentricity 7 µm)

Scope of delivery

- incl. setting screw Guhring no. 4977 or 4904
- for conventional cooling order coolant delivery set, Guhring no. 4949, separately
- special dimensions on request

Series Number

4736

HSK-A d ₃	for shank Ø d _{1 h6} mm	d ₂ mm	d ₄ mm	l ₁ mm	l ₂ mm	incl. setting screw Guh. no. Code no.	kg	Order Code	EDP Numbers
80	6	21	27	160	36	9049770060140	1.60	106.080	9047361060800
80	8	21	27	160	36	9049770080140	1.60	108.080	9047361080800
80	10	24	32	160	41	9049770100140	1.80	110.080	9047361100800
80	12	24	32	160	46	9049770120140	1.80	112.080	9047361120800
80	14	27	34	160	46	9049770120140	1.90	114.080	9047361140800
80	16	27	34	160	49	9049770160140	1.90	116.080	9047361160800
80	18	33	42	160	49	9049770160140	2.30	118.080	9047361180800
80	20	33	42	160	51	9049770201140	2.30	120.080	9047361200800
80	25	44	53	160	57	9049770201140	3.00	125.080	9047361250800
80	32	44	53	160	61	9049770201140	2.80	132.080	9047361320800
100	1/4	21	27	85	36	9049770060140	2.20	906.100	9047369061000
100	3/8	24	32	90	41	9049770080140	2.20	909.100	9047369091000
100	1/2	24	32	95	46	9049770120140	2.30	912.100	9047369121000
100	5/8	27	34	100	49	9049770120140	2.30	915.100	9047369151000
100	3/4	33	42	105	49	9049770160140	2.30	919.100	9047369191000
100	1	44	53	115	75	9049770201140	3.00	925.100	9047369251000
100	6	21	27	85	36	9049770060140	2.20	6.100	9047360061000
100	8	21	27	85	36	9049770080140	2.20	8.100	9047360081000
100	10	24	32	90	41	9049770100140	2.30	10.100	9047360101000
100	12	24	32	95	46	9049770120140	2.30	12.100	9047360121000
100	14	27	34	95	46	9049770120140	2.30	14.100	9047360141000
100	16	27	34	100	49	9049770160140	2.30	16.100	9047360161000
100	18	33	42	100	49	9049770160140	2.50	18.100	9047360181000
100	20	33	42	105	51	9049770201140	2.50	20.100	9047360201000
100	25	44	53	115	57	9049770201140	3.00	25.100	9047360251000
100	32	44	53	120	61	9049770201140	3.00	32.100	9047360321000
100	6	21	27	160	36	9049770060140	2.60	106.100	9047361061000
100	8	21	27	160	36	9049770080140	2.50	108.100	9047361081000
100	10	24	32	160	41	9049770100140	2.70	110.100	9047361101000
100	12	24	32	160	46	9049770120140	2.70	112.100	9047361121000
100	14	27	34	160	46	9049770120140	2.80	114.100	9047361141000
100	16	27	34	160	49	9049770160140	2.80	116.100	9047361161000
100	18	33	42	160	49	9049770160140	3.20	118.100	9047361181000
100	20	33	42	160	51	9049770201140	3.10	120.100	9047361201000
100	25	44	53	160	57	9049770201140	3.90	125.100	9047361251000
100	32	44	53	160	61	9049770201140	3.70	132.100	9047361321000
100	6	21	27	200	36	9049770060140	2.80	306.100	9047363061000
100	8	21	27	200	36	9049770080140	2.80	308.100	9047363081000
100	10	24	32	200	41	9049770100140	2.90	310.100	9047363101000
100	12	24	32	200	46	9049770120140	2.90	312.100	9047363121000
100	14	27	34	200	46	9049770120140	3.00	314.100	9047363141000
100	16	27	34	200	49	9049770160140	3.00	316.100	9047363161000
100	18	33	42	200	49	9049770160140	3.40	318.100	9047363181000
100	20	33	42	200	51	9049770201140	3.30	320.100	9047363201000
100	25	44	53	200	57	9049770201140	4.00	325.100	9047363251000
100	32	44	53	200	61	9049770201140	3.90	332.100	9047363321000