

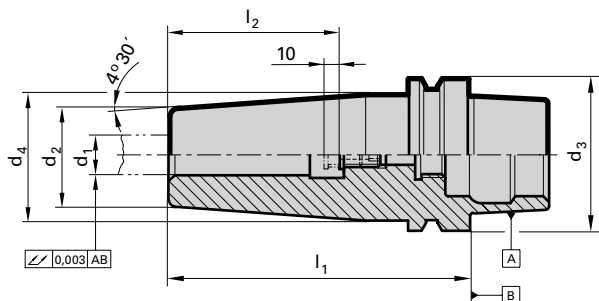
# HSK-E shrink fit chucks

## Product information

- balancing quality G2.5 / 25,000 rev./min or  $U < 1$  gmm
- for tool shank tolerance h6

## Scope of delivery

- incl. setting screw Guhring no. 4977 or 4904
- for conventional cooling order coolant delivery set, Guhring no. 4949, separately
- special dimensions on request



Series Number

4737

HSK-E $d_3$	for shank $\varnothing$ $d_1$ h6 mm	$d_2$ mm	$d_4$ mm	$l_1$ mm	$l_2$ mm	incl. setting screw Guh. no. Code no.	kg	Order Code	EDP Numbers
32	3	10	16	60	–	–	0.16	3.032	9047370030320
32	4	10	16	60	–	–	0.16	4.032	9047370040320
32	5	10	16	60	–	–	0.16	5.032	9047370050320
32	6	21	26	70	36	9049770060140	0.18	6.032	9047370060320
32	8	21	26	70	36	9049770080140	0.20	8.032	9047370080320
32	10	24	29	75	41	9049770100140	0.25	10.032	9047370100320
32	12	24	29	80	46	9049770120140	0.25	12.032	9047370120320
40	3	10	19	80	–	–	0.28	3.040	9047370030400
40	4	10	19	80	–	–	0.28	4.040	9047370040400
40	5	10	19	80	–	–	0.27	5.040	9047370050400
40	6	21	27	80	36	9049770060140	0.41	6.040	9047370060400
40	8	21	27	80	36	9049770080140	0.41	8.040	9047370080400
40	10	24	32	80	41	9049770100140	0.48	10.040	9047370100400
40	12	24	32	90	46	9049770120140	0.52	12.040	9047370120400
40	14	27	34	90	46	9049770120140	0.57	14.040	9047370140400
40	16	27	34	90	49	9049770160140	0.55	16.040	9047370160400
50	3	10	18	80	30	9049040050160	0.49	3.050	9047370030500
50	4	10	18	80	35	9049040060160	0.49	4.050	9047370040500
50	5	10	18	80	–	–	0.49	5.050	9047370050500
50	6	21	27	80	36	9049770060140	0.59	6.050	9047370060500
50	8	21	27	80	36	9049770080140	0.58	8.050	9047370080500
50	10	24	32	85	41	9049770100140	0.57	10.050	9047370100500
50	12	24	32	90	46	9049770120140	0.69	12.050	9047370120500
50	14	27	34	90	46	9049770120140	0.74	14.050	9047370140500
50	16	27	34	95	49	9049770160140	0.75	16.050	9047370160500
50	18	33	42	95	49	9049770160140	0.92	18.050	9047370180500
50	20	33	42	100	51	9049770201140	0.94	20.050	9047370200500
63	6	21	27	80	36	9049770060140	0.86	6.063	9047370060630
63	8	21	27	80	36	9049770080140	0.85	8.063	9047370080630
63	10	24	32	85	41	9049770100140	0.94	10.063	9047370100630
63	12	24	32	90	46	9049770120140	0.96	12.063	9047370120630
63	14	27	34	90	46	9049770120140	1.01	14.063	9047370140630
63	16	27	34	95	49	9049770160140	1.02	16.063	9047370160630
63	18	33	42	95	49	9049770160140	1.19	18.063	9047370180630
63	20	33	42	100	51	9049770201140	1.21	20.063	9047370200630
63	25	44	53	115	57	9049770201140	1.80	25.063	9047370250630
63	32	44	53	120	61	9049770201140	1.73	32.063	9047370320630