

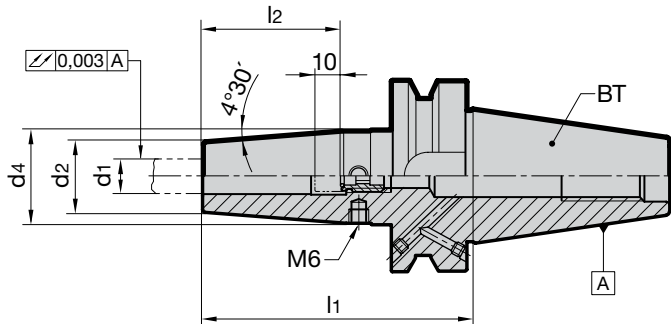
# MAS/BT shrink fit chucks

## Product information

- balancing quality: G2.5 / 25,000 rev./min or U< 1gmm
- incl. balancing thread 4xM6/6xM6
- MAS/BT to JIS B 6339 form AD/B (\*: version AD without coolant supply over collar)
- for tool shank tolerance h6

## Scope of delivery

- incl. setting screw Guhring no. 4977 bzw. 4904
- order pull studs Guhring no. 4927, 4928 separately
- special dimensions on request



Series Number **4739**

MAS/BT	for shank Ø d <sub>1</sub> h <sub>6</sub> mm/inch	d <sub>2</sub> mm	d <sub>1</sub> mm	l <sub>1</sub> mm	l <sub>2</sub> mm	incl. setting screw Guh. no. Code no.	kg	Order Code	EDP Numbers
30*	1/8	10	18	80	34	9049040050160	0.60	103.030	9047391030300
30*	3/16	10	18	80	34	9049040080180	0.60	104.030	9047391040300
30*	1/4	21	27	80	36	9049770060140	0.60	106.030	9047391060300
30*	5/16	21	27	80	36	9049770080140	0.70	107.030	9047391070300
30*	3/8	24	32	80	41	9049770080140		109.030	9047391090300
30*	1/2	24	34	80	46	9049770120140	0.70	112.030	9047391120300
30*	5/8	27	34	80	49	9049770160140	0.80	115.030	9047391150300
30*	3/4	33	42	90	51	9049770160140	0.90	119.030	9047391190300
30*	3	10	18	80	30	9049040050160	0.60	3.030	9047390030300
30*	4	10	18	80	35	9049040060160	0.60	4.030	9047390040300
30*	5	10	18	80	40	9049040080180	0.6	5.030	9047390050300
30*	6	21	27	80	36	9049770060140	0.70	6.030	9047390060300
30*	8	21	27	80	36	9049770080140	0.70	8.030	9047390080300
30*	10	24	32	80	41	9049770100140	0.80	10.030	9047390100300
30*	12	24	32	80	46	9049770120140	0.80	12.030	9047390120300
30*	14	27	34	80	46	9049770120140	0.80	14.030	9047390140300
30*	16	27	34	80	49	9049770160140	0.80	16.030	9047390160300
30*	18	33	42	90	49	9049770160140	0.90	18.030	9047390180300
30*	20	33	42	90	51	9049770201140	0.90	20.030	9047390200300
40	3	10	18	85	30	9049040050160	1.00	3.040	9047390030400
40	4	10	18	85	35	9049040060160	1.00	4.040	9047390040400
40	5	10	18	85	40	9049040080180	1.00	5.040	9047390050400
40	6	21	27	90	36	9049770060140	1.20	6.040	9047390060400
40	8	21	27	90	36	9049770080140	1.20	8.040	9047390080400
40	10	24	32	90	41	9049770100140	1.30	10.040	9047390100400
40	12	24	32	90	46	9049770120140	1.30	12.040	9047390120400
40	14	27	34	90	46	9049770120140	1.40	14.040	9047390140400
40	16	27	34	90	49	9049770160140	1.40	16.040	9047390160400
40	18	33	42	90	49	9049770160140	1.40	18.040	9047390180400
40	20	33	42	90	51	9049770201140	1.70	20.040	9047390200400
40	25	44	53	100	57	9049770201140	1.80	25.040	9047390250400
40	32	44	53	100	61	9049770201140	1.70	32.040	9047390320400
40	6	21	27	130	36	9049770060140	1.30	6.140	9047390061400
40	8	24	32	130	41	9049770080140	1.30	8.140	9047390081400
40	10	24	32	130	46	9049770100140	1.40	10.140	9047390101400
40	12	27	34	130	46	9049770120140	1.40	12.140	9047390121400
40	14	27	34	130	49	9049770120140	1.40	14.140	9047390141400
40	16	33	42	130	49	9049770160140	1.50	16.140	9047390161400

# MAS/BT shrink fit chucks

## Product information

- balancing quality: G2.5 / 25,000 rev./min or U< 1gmm
- incl. balancing thread 4xM6/6xM6
- MAS/BT to JIS B 6339 form AD/B (\*: version AD without coolant supply over collar)
- for tool shank tolerance h6

## Scope of delivery

- incl. setting screw Guhring no. 4977 bzw. 4904
- order pull studs Guhring no. 4927, 4928 separately
- special dimensions on request

Series Number									4739
MAS/BT	for shank Ø d <sub>1 h6</sub> mm/inch	d <sub>2</sub> mm	d <sub>4</sub> mm	l <sub>1</sub> mm	l <sub>2</sub> mm	incl. setting screw Guh. no. Code no.	kg	Order Code	EDP Numbers
40	18	33	42	130	51	9049770160140	1.50	18.140	9047390181400
40	20	44	53	130	57	9049770201140	1.80	20.140	9047390201400
40	25	44	53	130	58	9049770201140	2.00	25.140	9047390251400
40	32	44	53	130	61	9049770201140	1.90	32.140	9047390321400
50	6	21	27	100	36	9049770060140	2.90	6.050	9047390060500
50	8	21	27	100	36	9049770080140	2.90	8.050	9047390080500
50	10	24	32	100	41	9049770100140	2.90	10.050	9047390100500
50	12	24	32	100	46	9049770120140	2.90	12.050	9047390120500
50	14	27	34	100	46	9049770120140	3.00	14.050	9047390140500
50	16	27	34	100	49	9049770160140	3.00	16.050	9047390160500
50	18	33	42	100	49	9049770160140	1.90	18.050	9047390180500
50	20	33	42	100	51	9049770201140	1.90	20.050	9047390200500
50	25	44	53	110	57	9049770201140	2.20	25.050	9047390250500
50	32	44	53	110	61	9049770201140	2.20	32.050	9047390320500