

Use this number when searching for this item:

## 9047410250630

### MOD.SYSTEM GM 300 MMS SHRINK CHUCK FOR AUTO TOOL CHANGE HSK63 A 25,000 X 115,000



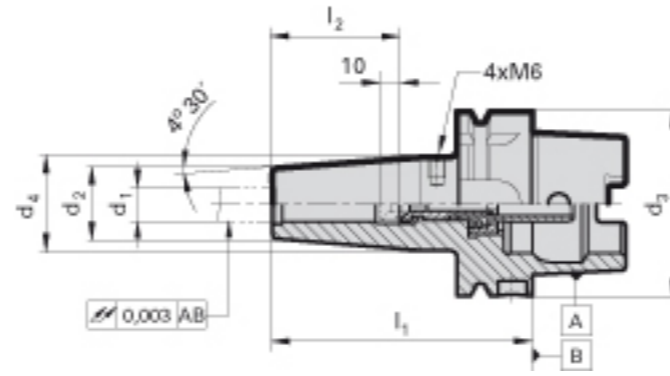
#### >> Item Info

#### >> Features

#### >> Suggested Materials

|            |               |
|------------|---------------|
| EDP #      | 9047410250630 |
| Series     | 4741          |
| Order Code | 25.063        |
| Coating    | Bright        |
| Coolant    | Without       |
| Dia. Range | -             |
|            | HSK-A         |

#### >> Technical Specs



| EDP #         | Code No. | SYSTEM SIZE   | for shank Ø |            | d2<br>(mm) | d4<br>(mm) | l1<br>(mm) | l2<br>(mm) |
|---------------|----------|---------------|-------------|------------|------------|------------|------------|------------|
|               |          |               | d1<br>(mm)  | d1<br>inch |            |            |            |            |
| 9047410250630 | 25.063   | HSK-A 63 Auto | 25.00       |            | 44         | 53         | 115        | 56         |

\*\*\* DISCLAIMER: Data on this PDF is subject to change at any time without notice.