

Use this number when searching for this item:

9047412100630

MOD.SYSTEM GM 300 MMS SHRINK CHUCK FOR AUTO TOOL CHANGE HSK63 A 10,000 X 120,000



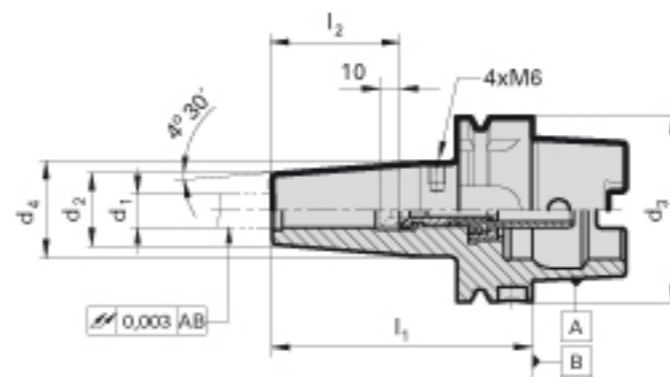
>> Item Info

>> Features

>> Suggested Materials

| | |
|------------|---------------|
| EDP # | 9047412100630 |
| Series | 4741 |
| Order Code | 210.063 |
| Coating | Bright |
| Coolant | Without |
| Dia. Range | - |
| | HSK-A |

>> Technical Specs



| EDP # | Code No. | SYSTEM SIZE | for shank Ø | | d2 (mm) | d4 (mm) | l1 (mm) | l2 (mm) |
|---------------|----------|---------------|-------------|------------|------------|------------|------------|------------|
| | | | d1 (mm) | d1 inch | | | | |
| 9047412100630 | 210.063 | HSK-A 63 Auto | | | | | | |

*** DISCLAIMER: Data on this PDF is subject to change at any time without notice.