

Use this number when searching for this item:

9047412120630

MOD.SYSTEM GM 300 MMS SHRINK CHUCK FOR AUTO TOOL CHANGE HSK63 A 12,000 X 120,000



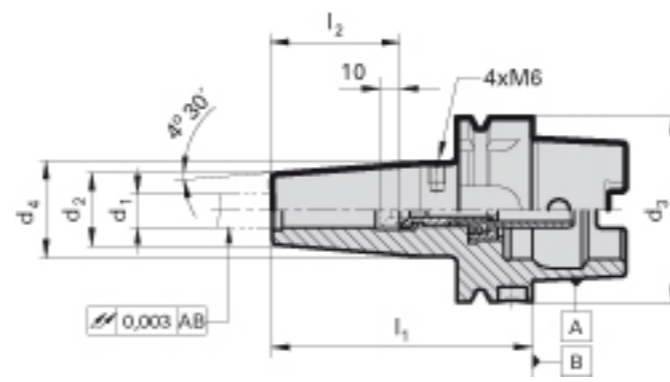
>> Item Info

>> Features

>> Suggested Materials

EDP #	9047412120630
Series	4741
Order Code	212.063
Coating	Bright
Coolant	Without
Dia. Range	-
	HSK-A

>> Technical Specs



EDP #	Code No.	SYSTEM SIZE	for shank Ø		d2 (mm)	d4 (mm)	l1 (mm)	l2 (mm)
			d1 (mm)	d1 inch				
9047412120630	212.063	HSK-A 63 Auto	12.00		24	32	120	45

*** DISCLAIMER: Data on this PDF is subject to change at any time without notice.