

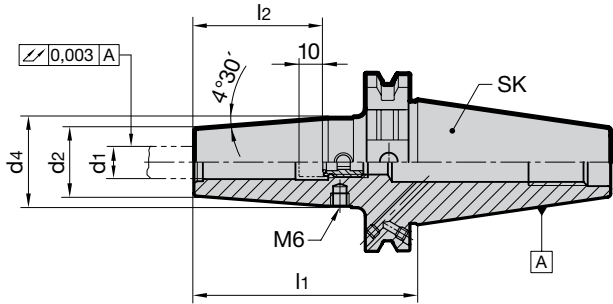
CAT shrink fit holder

Product information

- balancing quality: G2.5 / 25,000 rev./min or U < 1gmm
- Including balancing threads 4x M6 / 6xM6
- Taper according to ANSI/ASME B 5.50
- Coolant through center and also through flange (plugged with threaded pins when supplied)
- CAT 40 - 5/8 x 11 retention knob thread
- CAT 50 - 1" x 8 retention knob thread

Scope of delivery

- Including setting screw, Guhring no. 4977 with axial force dampening for perfect runout accuracy
- Special dimensions on request



Series Number

4764

CAT	clamping dia. d1 in h6 inch/mm	d ₂ mm	d ₄ mm	l ₁ mm	l ₂ mm	incl. setting screw Guh. no. Code no.	Order Code	EDP Numbers
40	1/4	21	27	80	36	9049770060140	106.040	9047641060400
40	3/8	24	32	80	41	9049770080140	109.040	9047641090400
40	1/2	24	32	80	46	9049770120140	112.040	9047641120400
40	5/8	27	34	80	49	9049770160140	115.040	9047641150400
40	3/4	33	42	80	49	9049770160140	119.040	9047641190400
40	1	44	53	100	57	9049770201140	125.040	9047641250400
40	1 1/4	44	53	100	61	9049770201140	131.040	9047641310400
40	6	21	27	80	36	9049770060140	6.040	9047640060400
40	8	21	27	80	36	9049770080140	8.040	9047640080400
40	10	24	32	80	41	9049770100140	10.040	9047640100400
40	12	24	32	80	46	9049770120140	12.040	9047640120400
40	14	27	34	80	46	9049770120140	14.040	9047640140400
40	16	27	34	80	49	9049770160140	16.040	9047640160400
40	18	33	42	80	49	9049770160140	18.040	9047640180400
40	20	33	42	80	51	9049770201140	20.040	9047640200400
40	25	44	53	100	57	9049770201140	25.040	9047640250400
40	32	44	53	100	61	9049770201140	32.040	9047640320400
50	1/4	21	27	80	36	9049770060140	106.050	9047641060500
50	3/8	24	32	80	41	9049770080140	109.050	9047641090500
50	1/2	24	32	80	46	9049770120140	112.050	9047641120500
50	5/8	27	34	80	49	9049770160140	115.050	9047641150500
50	3/4	33	42	80	49	9049770160140	119.050	9047641190500
50	1	44	53	100	57	9049770201140	125.050	9047641250500
50	1 1/4	44	53	100	61	9049770201140	131.050	9047641310500
50	6	21	27	80	36	9049770060140	6.050	9047640060500
50	8	21	27	80	36	9049770080140	8.050	9047640080500
50	10	24	32	80	41	9049770100140	10.050	9047640100500
50	12	24	32	80	46	9049770120140	12.050	9047640120500
50	14	27	34	80	46	9049770120140	14.050	9047640140500
50	16	27	34	80	49	9049770160140	16.050	9047640160500
50	18	33	42	80	49	9049770160140	18.050	9047640180500
50	20	33	42	80	51	9049770201140	20.050	9047640200500
50	25	44	53	100	57	9049770201140	25.050	9047640250500
50	32	44	53	100	61	9049770201140	32.050	9047640320500