

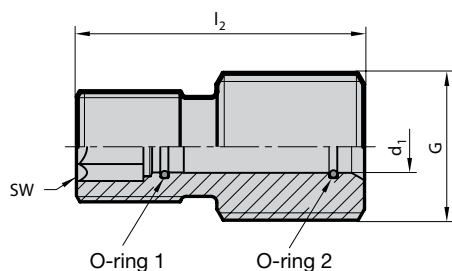
Retention spindles for GÜHROCLAMP MQL 4-point clamping sets

Product information

- retention spindle for direct installation in spindle

Scope of delivery

- complete as shown in illustration



Series Number **4933**

for HSK-C	d ₁ mm	l ₁ mm	G	SW	O-ring 1	O-ring 2	EDP Numbers
32	M7x0.5	17.0	M10	4	-	-	9049330241000
40	5.1	23.0	M 12	5	4.5x1.0	5x1	9049330301000
50	7.1	27.0	M 16	6	5.5x1.0	7x1.0	9049330381000
63	7.1	39.0	M 20	8	7.0x1.0	7.0x1.0	9049330481000
80	10.1	50.0	M 24	10	10.0x1.5	10.0x1.5	9049330601000
100	12.1	60.0	M 24	12	12.0x1.70	12.0x1.70	9049330751000

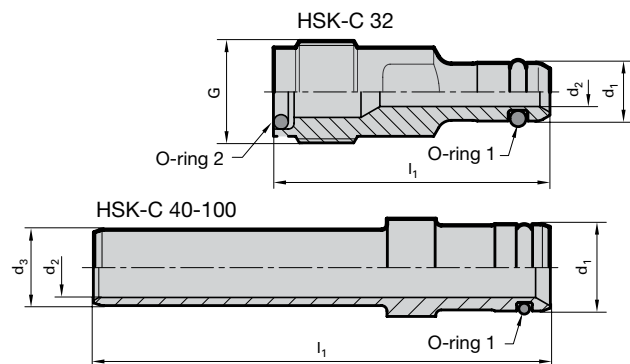
Adaptor for GÜHROCLAMP MQL 4-point clamping sets

Product information

- Adaptor for direct installation in spindle and spindle adaptor (integrated) for coolant delivery and sealing

Scope of delivery

- complete as shown in illustration



Series Number **4934**

for HSK-C	d ₁ mm	d ₂ mm	d ₃ mm	l ₁ mm	O-ring 12xNBR70	O-ring 2NBR70	Order Code	EDP Numbers
32	4	2	6.1	19	2.0 x 1.0	3.5 x 1.0	24.100	9049340241000
40	5	3	5	28	3.0 x 1.0	-	30.100	9049340301000
50	6	4	7	28	4.0 x 1.0	-	38.100	9049340381000
63	8	5.5	7	42	6.0 x 1.0	-	48.100	9049340481000
80	10.2	7.5	10	56	8.0 x 1.0	-	60.100	9049340601000
100	12	9.5	11.8	60	10.0 x 1.0	-	75.100	9049340751000