

Use this number when searching for this item:

9049490180630

COOLANT SUPPLY TUBE FOR HSK-A63



>> Item Info

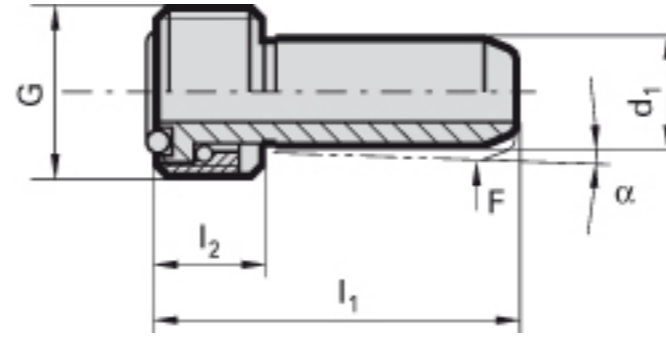
EDP #	9049490180630
Series	4949
Order Code	18.063
Coating	Bright
Coolant	Without
Dia. Range	-

>> Features

- leak-proof screwed connection tested to 80 bar
- to DIN 69895
- F = angle movability $\pm 1^\circ$
- for HSK-A and HSK-E shanks

>> Suggested Materials

>> Technical Specs



EDP #	Code No.	Description
9049490180630	18.063	COOLANT SUPPLY TUBE FOR HSK-A63

*** DISCLAIMER: Data on this PDF is subject to change at any time without notice.