

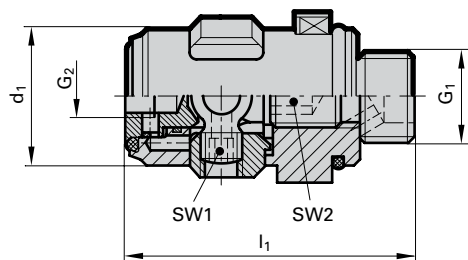
4-point clamping sets for conventional cooling

Product information

- for a coolant pressure up to 80 bar
- for radial manual HSK tool clamping

Scope of delivery

- including installation and operating instructions

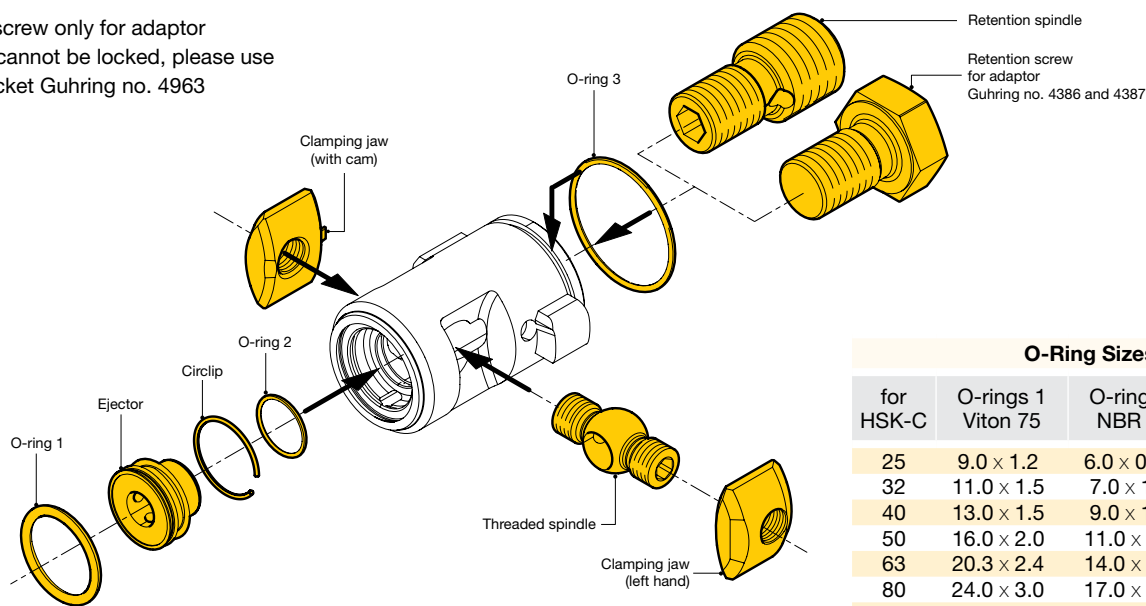


Series Number **4958**

for HSK-C	d ₁ mm	l ₁ mm	G1	G2	SW1	SW2	kg	Order Code	EDP Numbers
25	13.8	34	M 8	M 4	2.5	3	0.025	19.000	9049580190000
32	16.7	40	M10	M 5	2.5	4	0.05	24.000	9049580240000
40	20.6	49	M12	M 6	3	5	0.08	30.000	9049580300000
50	25.5	59	M16	M 8	4	6	0.15	38.000	9049580380000
63	33	72	M20	M10	5	8	0.31	48.000	9049580480000
80	41	97	M24	M12	6	10	0.64	60.000	9049580600000

Component parts for 4-point clamping set Guhring no. 4958, separate or set

- retention screw only for adaptor
- If spindle cannot be locked, please use torque socket Guhring no. 4963



O-Ring Sizes

for HSK-C	O-rings 1 Viton 75	O-rings 2 NBR 70	O-rings 3 NBR 70
25	9.0 × 1.2	6.0 × 0.75	11.0 × 1.0
32	11.0 × 1.5	7.0 × 1.0	14.0 × 1.0
40	13.0 × 1.5	9.0 × 1.0	17.0 × 1.0
50	16.0 × 2.0	11.0 × 1.0	22.0 × 1.5
63	20.3 × 2.4	14.0 × 1.0	28.0 × 1.5
80	24.0 × 3.0	17.0 × 1.0	35.0 × 1.5

EDP Numbers for Series 4957

Set no. 4959

for HSK-C	Clamping jaw set	Threaded spindle	Retention spindle	Ejector	Circlip	Retention screw	EDP Numbers
25	9049570010190	9049570020190	9049570030190	9049570040190	9049570050190	9049570070190	9049590190000
32	9049570010240	9049570020240	9049570030240	9049570040240	9049570050240	9049570070240	9049590240000
40	9049570010300	9049570020300	9049570030300	9049570040300	9049570050300	9049570070300	9049590300000
50	9049570010380	9049570020380	9049570030380	9049570040380	9049570050380	9049570070380	9049590380000
63	9049570010480	9049570020480	9049570030480	9049570040480	9049570050480	9049570070480	9049590480000
80	9049570010600	9049570020600	9049570030600	9049570040600	9049570050600	9049570070600	9049590600000