

Use this number when searching for this item:

9049570020300

THREADED SPINDLE FOR 4-POINT CLAMPING SET HSK-C 40



>> Item Info

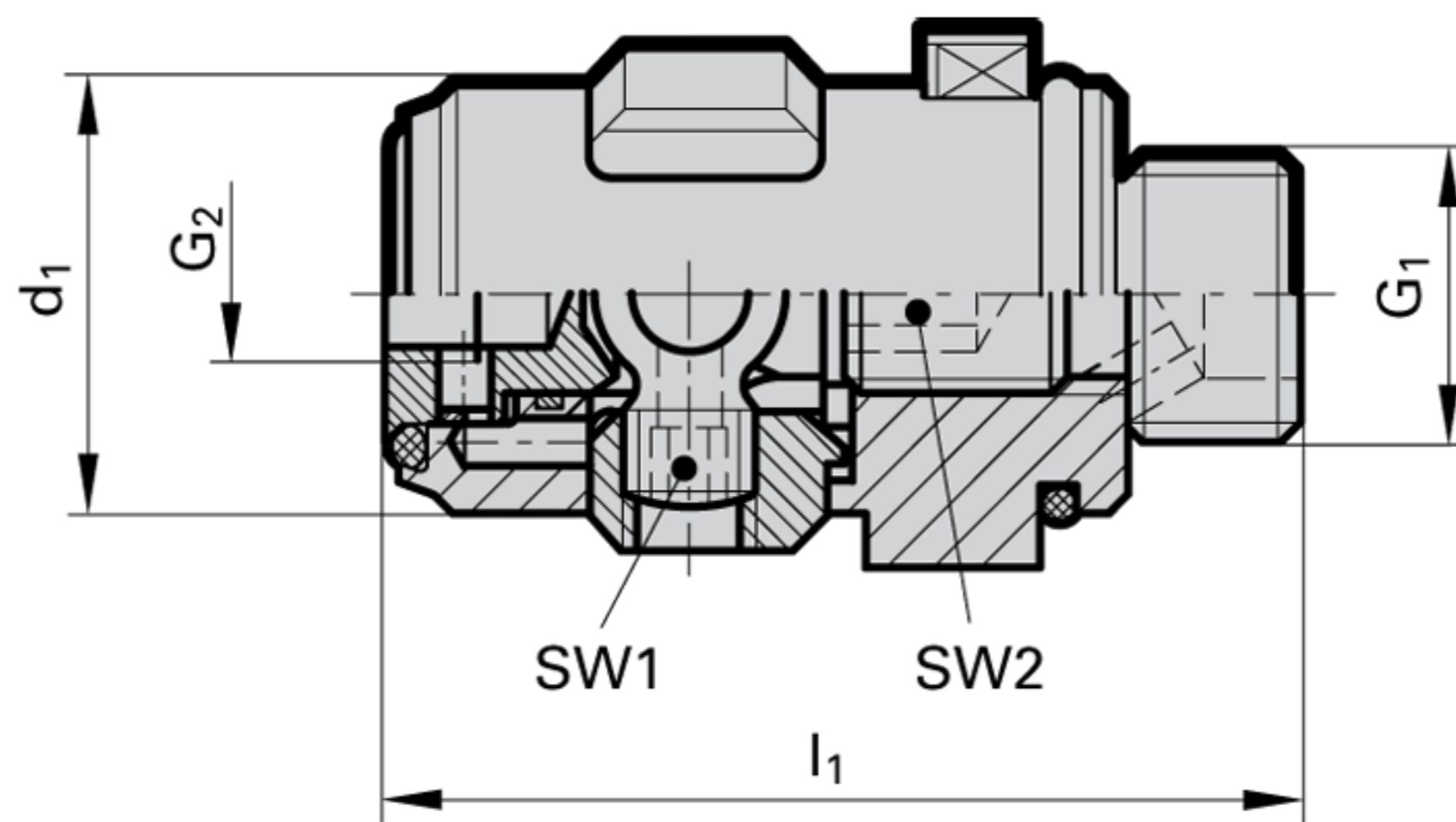
EDP #	9049570020300
Series	4957
Order Code	2.030
Coating	browned
Coolant	Without
Dia. Range	-

>> Features

- retention screw only for adaptor
- if spindle cannot be locked, please use torque socket art. no. 4963

>> Suggested Materials

>> Technical Specs



EDP #	Code No.	Description
9049570020300	2.030	THREADED SPINDLE FOR 4-POINT CLAMPING SET HSK-C 40

*** **DISCLAIMER:** Data on this PDF is subject to change at any time without notice.