

Use this number when searching for this item:

9055000150000

90° SpyroTec Countersink, 15mm, HSCO, TiAlN



>> Item Info

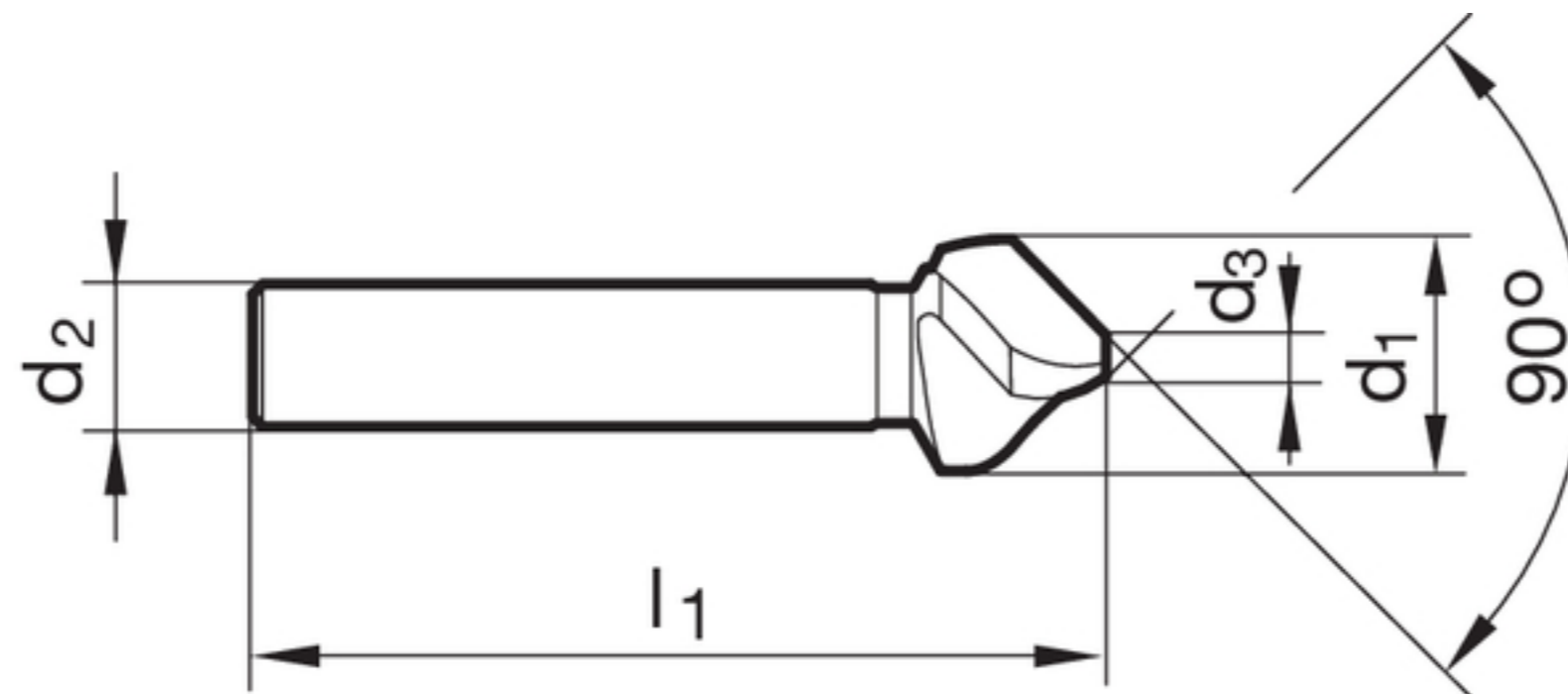
| | |
|-------------------|---------------|
| EDP # | 9055000150000 |
| Series | 5500 |
| Order Code | 15.000 |
| Material | HSCO |
| Coating | TiAlN |
| Shank | Cylindrical |
| Cutting Direction | RH |
| Point Angle | 90° |
| Hole Form | C |
| Standard | DIN 335 |

>> Features

- 3 different convex cutting edges
- low-vibration cutting processes
- for round and chatter-free countersinking
- considerably lower feed force required
- for universal application

>> Suggested Materials

>> Technical Specs



| EDP # | Code No. | C-Sink Ø | Shank Ø | Point Ø | OAL | Flat length | # of Flutes |
|---------------|----------|----------|---------|---------|-------|-------------|-------------|
| | | d1 | d2 | d3 | l1 | l2 | |
| | | mm | mm | mm | mm | mm | |
| 9055000150000 | 15.000 | 15.000 | 10.000 | 3.200 | 60.00 | | 3 |



WARNING:
This product contains Cobalt, a chemical known to the State of California to cause cancer. For more information go to www.P65Warnings.ca.gov

*** **DISCLAIMER:** Data on this PDF is subject to change at any time without notice.