

Use this number when searching for this item:

## 9056120160000

Drill, 16mm 7xD, RT 100 U, Carbide, nano-FIREX, Coolant through



### >> Item Info

|                   |               |
|-------------------|---------------|
| EDP #             | 9056120160000 |
| Series            | 5612          |
| Order Code        | 16.000        |
| Coating           | nano-FIREX    |
| Coolant Through   | Yes           |
| Cutting Direction | RH            |
| Drilling Depth    | 7xD           |
| Material          | Carbide       |
| Point Angle       | 140°          |
| Shank             | HE            |
| Type              | RT 100 U      |
| Tolerance         | m7            |

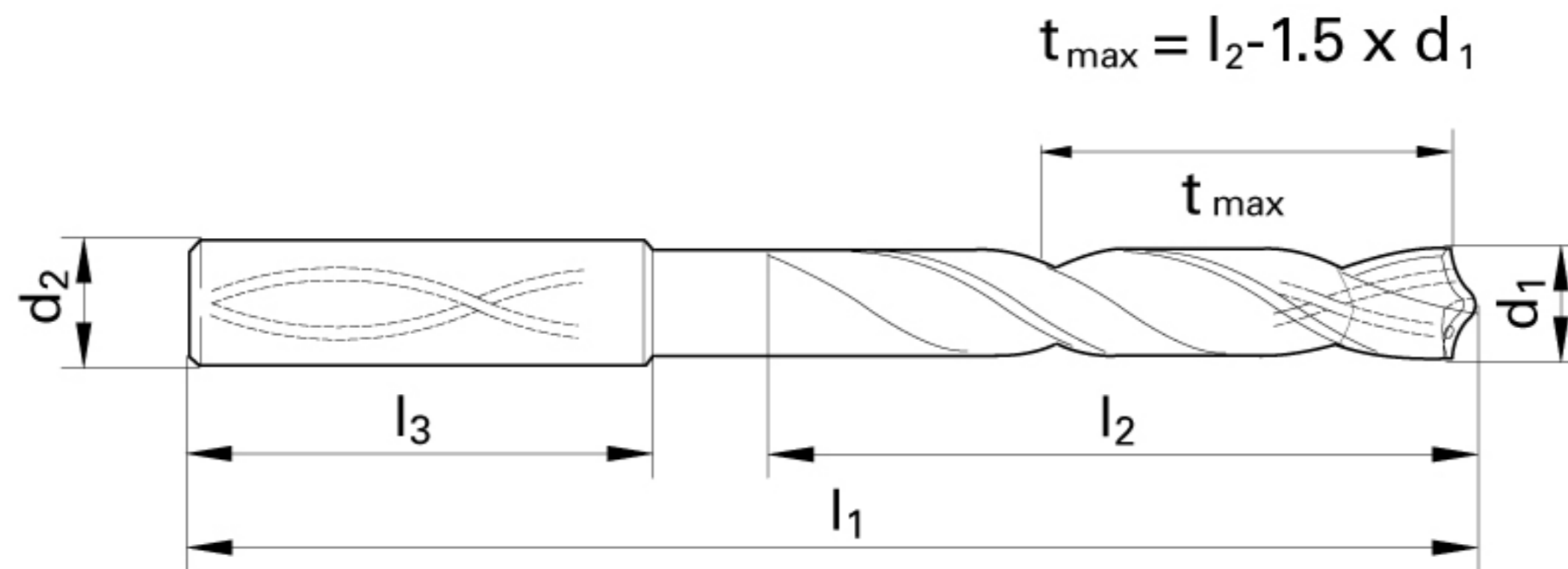
### >> Features

- facet point grind
- main cutting edge form straight
- optimized cutting geometry

### >> Suggested Materials

- Aluminum
- Alloyed Steels
- Free Cutting Steels
- Tool Steels
- Stainless Steels
- Ti and Ti-alloys
- Cast Iron
- Brass
- Bronze
- Copper
- Magnesium
- Special Alloys
- Hardened Steels

### >> Technical Specs



| EDP #         | Code No. | Cut Ø  | Cut Ø  | Cut Ø | Cut Ø         | Shank Ø | OAL    | Flute Length | Drilling Depth | Drilling Depth | Shank Length | Shank Type    | Flutes |
|---------------|----------|--------|--------|-------|---------------|---------|--------|--------------|----------------|----------------|--------------|---------------|--------|
|               |          | d1     | d1     | d1    | d1            | d2      | l1     | l2           | tmax           | tmax           | l3           |               |        |
|               |          | mm     | inch   | frac. | wire / letter | mm      | mm     | mm           | mm             | inch           | mm           |               |        |
| 9056120160000 | 16.000   | 16.000 | 0.6299 |       |               | 16.00   | 204.00 | 152.00       | 128.00         | 5.039          | 48.00        | whistle notch | 2      |



**WARNING:**  
This product contains Cobalt, a chemical known to the State of California to cause cancer. For more information go to [www.P65Warnings.ca.gov](http://www.P65Warnings.ca.gov)

\*\*\* **DISCLAIMER:** Data on this PDF is subject to change at any time without notice.