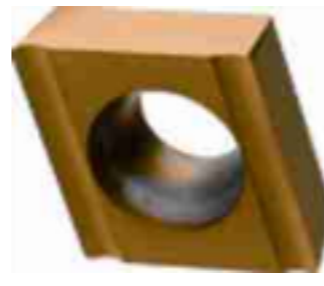


Use this number when searching for this item:

9076450520400

HT 800 C-Sink Insert, CPGT050204R, TiN



>> Item Info

| | |
|-------------------|----------------------|
| EDP # | 9076450520400 |
| Series | 7645 |
| Order Code | 52.040 |
| Coating | TiN |
| Coolant Through | No |
| Cutting Direction | RH |
| Material | Carbide |
| Point Angle | ° |
| Shank | N/A |
| Type | HT 800 C-Sink Insert |

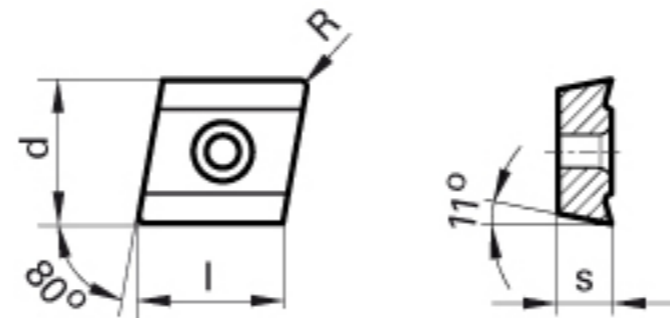
>> Features

- clamping screws art. no. 6128 not included

>> Suggested Materials

- Aluminum
- Alloyed Steels
- Free Cutting Steels
- Tool Steels
- Stainless Steels
- Ti and Ti-alloys
- Cast Iron
- Brass
- Bronze
- Copper
- Magnesium
- Special Alloys
- Plastic
- Hardened Steels

>> Technical Specs



| EDP # | Code No. | Cut Ø | | Cut Ø | | Shank Ø | OAL | Flute Length | | Drilling Depth | | Shank Length | Shank Type | Flutes |
|---------------|----------|--------|------|-------|---------------|---------|------|--------------|------|----------------|----|--------------|------------|--------|
| | | d1 | d1 | d1 | d1 | d2 | l1 | l2 | tmax | tmax | l3 | | | |
| | | mm | inch | frac. | wire / letter | mm | mm | mm | mm | inch | mm | | | |
| 9076450520400 | 52.040 | 52.040 | | | | | 2.38 | | | | | 50.00 | N/A | |



WARNING:
This product contains Cobalt, a chemical known to the State of California to cause cancer. For more information go to www.P65Warnings.ca.gov

*** **DISCLAIMER:** Data on this PDF is subject to change at any time without notice.