

Use this number when searching for this item:

9085220093400

Drill, Ltr U 7xD, RT 100 HF, Carbide, nano-Si, Coolant through



>> Item Info

EDP #	9085220093400
Series	8522
Order Code	9.340
Coating	nano-Si
Coolant Through	Yes
Cutting Direction	RH
Drilling Depth	7xD
Material	Carbide
Point Angle	140°
Shank	HA
Type	RT 100 HF
Tolerance	m7

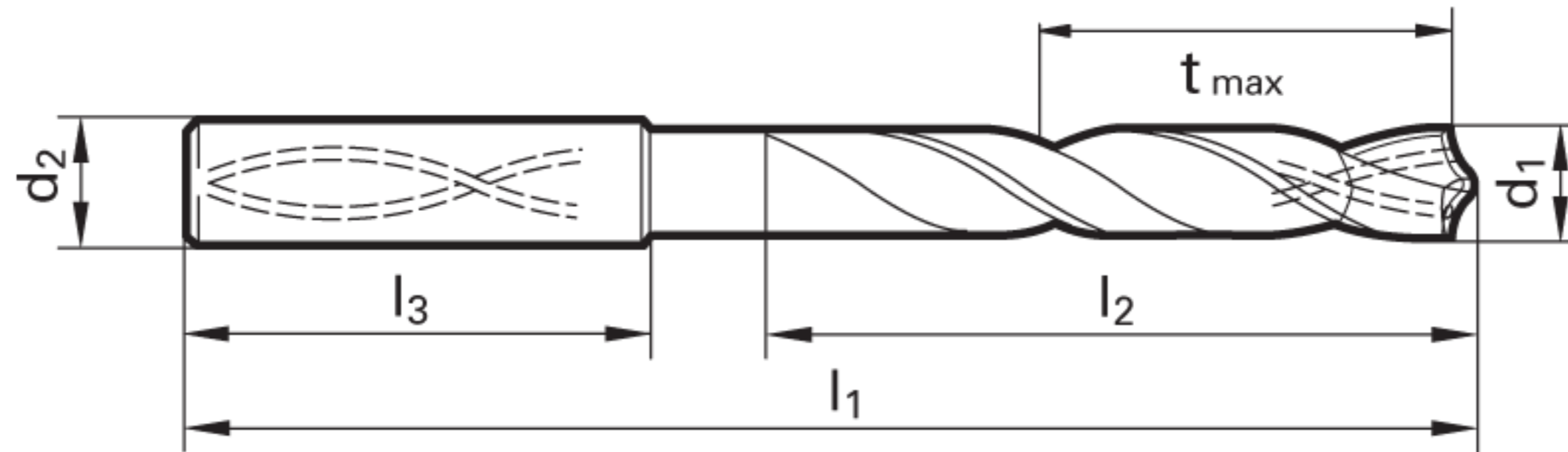
>> Features

- relieved cone
- main cutting edge is slightly concave
- optimized cutting geometry
- double margin

>> Suggested Materials

- Tool Steels
- Ti and Ti-alloys
- Special Alloys
- Hardened Steels

>> Technical Specs



EDP #	Code No.	Cut Ø		Cut Ø		Shank Ø	OAL	Flute Length		Drilling Depth		Shank Length	Shank Type	Flutes
		d1	d1	d1	d1			l1	l2	tmax	tmax			
		mm	inch	frac.	wire / letter	mm	mm	mm	mm	mm	inch	mm		
9085220093400	9.340	9.340	0.3677		U	10.00	139.00	95.00	80.99	3.189		40.00	Straight	2



WARNING:
This product contains Cobalt, a chemical known to the State of California to cause cancer. For more information go to www.P65Warnings.ca.gov

*** **DISCLAIMER:** Data on this PDF is subject to change at any time without notice.