

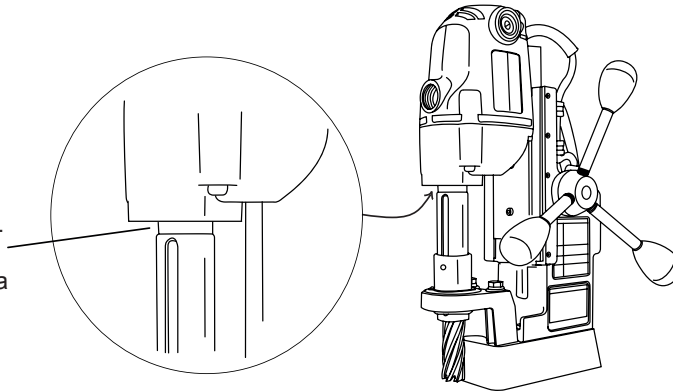
SPINDLE ADAPTER KIT

For use on Hougen Drill Models 10904, HMD904 & HMD908

The 01829 Adapter Kit is to be used to install a 3-Jaw Chuck onto a "Threaded" spindle. On this set-up, the Arbor Body will thread directly onto the bottom of the Motor Assembly (refer to dia.1).

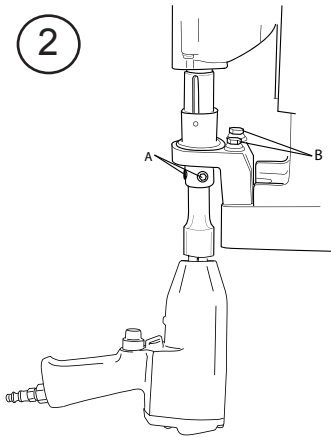
1

This style will **not** have set-screws here. If your machine has set-screws in this area use 05536 Adapter



There are 2 methods to remove the Arbor Body Assembly from a threaded style spindle.

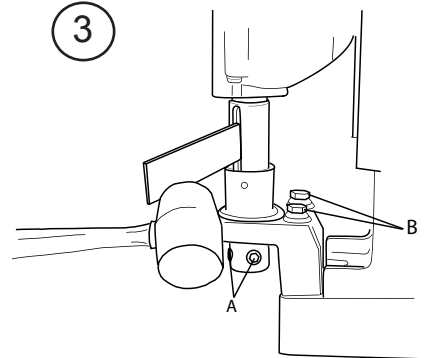
2



One method is to use an 1/2 drive Impact Gun with a short extension (refer to dia. 2). The extension can be installed into the bottom of the Arbor Body Assembly as a cutter would. Tighten the set-screws (A) and use the Impact Gun in the counter-clockwise direction to remove the Arbor Body.

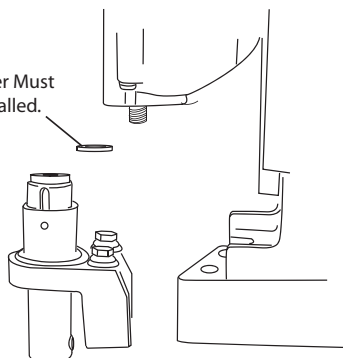
Another method is to use a Dead Blow Hammer and a Flat Metal Bar (refer to dia. 3). With the Magnet "ON" and attached to a metal plate. Insert the Flat Metal Bar into the slot of the Arbor Body. With a Dead Blow Hammer, strike the flat bar quick and firm to shock the Arbor Body loose. Un-thread the Arbor Body completely and remove the bolts from the Magnet (B).

3

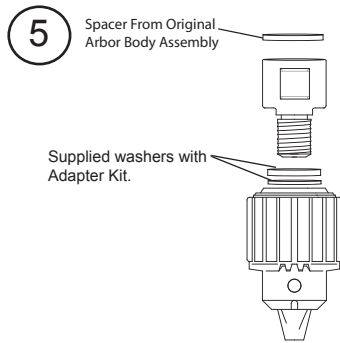


4

This Spacer Must Be Re-installed.

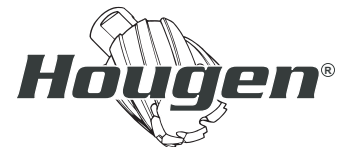
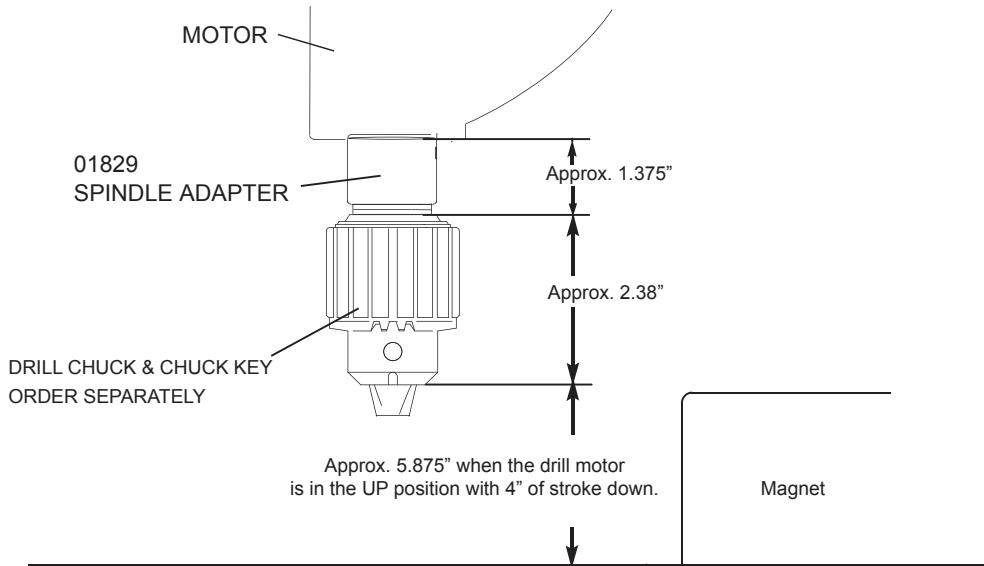
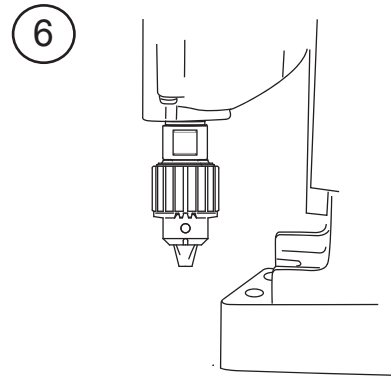


When the Arbor Body Assembly is removed be aware of the Spacer between the Arbor Body Assembly and the Motor Assembly. Refer to the next page to install the 3-Jaw Chuck Assembly.



Thread the 3-Jaw Chuck onto the Spindle Adapter keeping the supplied washers centered, until tight. Now thread the complete assembly up onto the bottom of the motor.

Your 3-Jaw Chuck is now installed. Select the proper twist bit for your application and follow Operating Procedures for the Hougen Magnet Based Drill you are using.



3001 HOUGEN DRIVE • SWARTZ CREEK, MI 48473
 PHONE: (810) 635-7111 • FAX: (810) 635-8277
 E-MAIL: INFO@HOUGEN.COM
 ONLINE: WWW.HOUGEN.COM

Form 02224 0310