



**OPERATOR'S MANUAL
MANUEL de L'UTILISATEUR
MANUAL del OPERADOR**



**Cat. No.
No de cat.
6880
6890**

HEAVY DUTY NIBBLERS

GRIGNOTEUSES INDUSTRIELLES

RECORTADORA DE CHAPA DE UÑA VIBRATORIA PARA SERVICIO PESADO

TO REDUCE THE RISK OF INJURY, USER MUST READ AND UNDERSTAND OPERATOR'S MANUAL.

AFIN DE RÉDUIRE LE RISQUE DE BLESSURES, L'UTILISATEUR DOIT LIRE ET BIEN COMPRENDRE LE MANUEL DE L'UTILISATEUR.

PARA REDUCIR EL RIESGO DE LESIONES, EL USUARIO DEBE LEER Y ENTENDER EL MANUAL DEL OPERADOR.

GENERAL POWER TOOL SAFETY WARNINGS

WARNING READ ALL SAFETY WARNINGS AND ALL INSTRUCTIONS. Failure to follow the warnings and instructions may result in electric shock, fire and/or serious injury. **Save all warnings and instructions for future reference.** The term "power tool" in the warnings refers to your mains-operated (corded) power tool or battery-operated (cordless) power tool.

WORK AREA SAFETY

- Keep work area clean and well lit. Cluttered or dark areas invite accidents.
- Do not operate power tools in explosive atmospheres, such as in the presence of flammable liquids, gases or dust. Power tools create sparks which may ignite the dust or fumes.
- Keep children and bystanders away while operating a power tool. Distractions can cause you to lose control.

ELECTRICAL SAFETY

- Power tool plugs must match the outlet. Never modify the plug in any way. Do not use any adapter plugs with earthed (grounded) power tools. Unmodified plugs and matching outlets will reduce risk of electric shock.
- Avoid body contact with earthed or grounded surfaces such as pipes, radiators, ranges and refrigerators. There is an increased risk of electric shock if your body is earthed or grounded.
- Do not expose power tools to rain or wet conditions. Water entering a power tool will increase the risk of electric shock.
- Do not abuse the cord. Never use the cord for carrying, pulling or unplugging the power tool. Keep cord away from heat, oil, sharp edges or moving parts. Damaged or entangled cords increase the risk of electric shock.
- When operating a power tool outdoors, use an extension cord suitable for outdoor use. Use of a cord suitable for outdoor use reduces the risk of electric shock.
- If operating a power tool in a damp location is unavoidable, use a residual current device (RCD) protected supply. Use of an RCD reduces the risk of electric shock.

PERSONAL SAFETY

- Stay alert, watch what you are doing and use common sense when operating a power tool. Do not use a power tool while you are tired or under the influence of drugs, alcohol or medication. A moment of inattention while operating power tools may result in serious personal injury.
- Use personal protective equipment. Always wear eye protection. Protective equipment such as dust mask, non-skid safety shoes, hard hat, or hearing protection used for appropriate conditions will reduce personal injuries.
- Prevent unintentional starting. Ensure the switch is in the off-position before connecting to power source and/or battery pack, picking up or carrying the tool. Carrying power tools with your finger on the switch or energising power tools that have the switch on invites accidents.

- Remove any adjusting key or wrench before turning the power tool on. A wrench or a key left attached to a rotating part of the power tool may result in personal injury.
- Do not overreach. Keep proper footing and balance at all times. This enables better control of the power tool in unexpected situations.
- Dress properly. Do not wear loose clothing or jewellery. Keep your hair, clothing and gloves away from moving parts. Loose clothes, jewellery or long hair can be caught in moving parts.
- If devices are provided for the connection of dust extraction and collection facilities, ensure these are connected and properly used. Use of dust collection can reduce dust-related hazards.

POWER TOOL USE AND CARE

- Do not force the power tool. Use the correct power tool for your application. The correct power tool will do the job better and safer at the rate for which it was designed.
- Do not use the power tool if the switch does not turn it on and off. Any power tool that cannot be controlled with the switch is dangerous and must be repaired.
- Disconnect the plug from the power source and/or the battery pack from the power tool before making any adjustments, changing accessories, or storing power tools. Such preventive safety measures reduce the risk of starting the power tool accidentally.
- Store idle power tools out of the reach of children and do not allow persons unfamiliar with the power tool or these instructions to operate the power tool. Power tools are dangerous in the hands of untrained users.
- Maintain power tools. Check for misalignment or binding of moving parts, breakage of parts and any other condition that may affect the power tool's operation. If damaged, have the power tool repaired before use. Many accidents are caused by poorly maintained power tools.
- Keep cutting tools sharp and clean. Properly maintained cutting tools with sharp cutting edges are less likely to bind and are easier to control.
- Use the power tool, accessories and tool bits etc., in accordance with these instructions, taking into account the working conditions and the work to be performed. Use of the power tool for operations different from those intended could result in a hazardous situation.







SERVICE

- Have your power tool serviced by a qualified repair person using only identical replacement parts. This will ensure that the safety of the power tool is maintained.

SPECIFIC SAFETY RULES

- Hold tools by insulated gripping surfaces when performing an operation where the cutting tool may contact hidden wiring or its own cord. Contact with a "live" wire will make exposed metal parts of the tool "live" and shock the operator.
- Maintain labels and nameplates. These carry important information. If unreadable or missing, contact a MILWAUKEE service facility for a free replacement.
- WARNING: Some dust created by power sanding, sawing, grinding, drilling, and other construction activities contains chemicals known to cause cancer, birth defects or other reproductive harm. Some examples of these chemicals are:
 - lead from lead-based paint
 - crystalline silica from bricks and cement and other masonry products, and
 - arsenic and chromium from chemically-treated lumber.
 Your risk from these exposures varies, depending on how often you do this type of work. To reduce your exposure to these chemicals: work in a well ventilated area, and work with approved safety equipment, such as those dust masks that are specially designed to filter out microscopic particles.

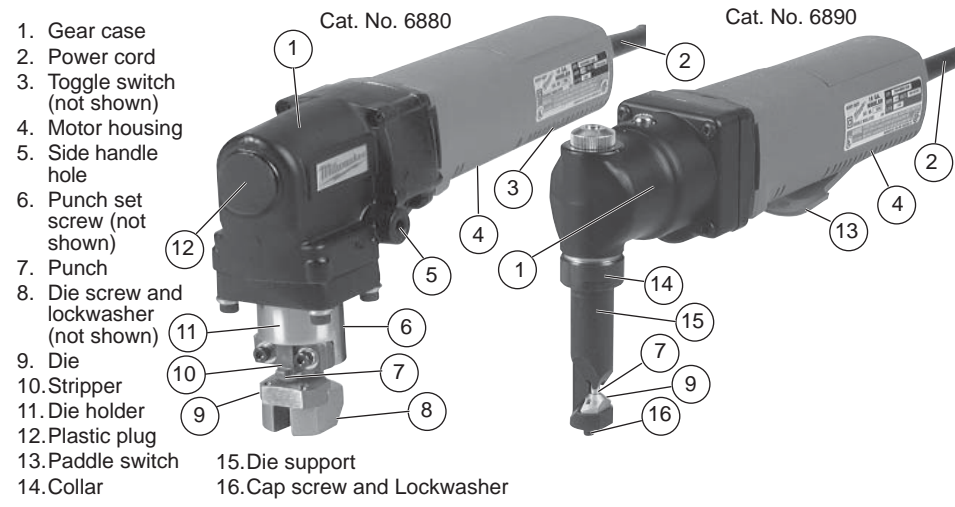
SYMBOLOLOGY

	Double Insulated
	Volts
	Volts Alternating Current/ Direct Current
	Amps
	Strokes per Minute
	Underwriters Laboratories, Inc., United States and Canada

SPECIFICATIONS

Cat. No.	Volts AC/DC	A	Capacity	Strokes Per Minute
6880	120	4	3.4 mm (10 GA)	1000
6890	120	3.8	1.5 mm (16 GA)	1900

FUNCTIONAL DESCRIPTION

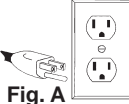


GROUNDING

⚠ WARNING Improperly connecting the grounding wire can result in the risk of electric shock. Check with a qualified electrician if you are in doubt as to whether the outlet is properly grounded. Do not modify the plug provided with the tool. Never remove the grounding prong from the plug. Do not use the tool if the cord or plug is damaged. If damaged, have it repaired by a MILWAUKEE service facility before use. If the plug will not fit the outlet, have a proper outlet installed by a qualified electrician.

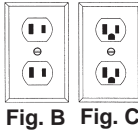
Grounded Tools: Tools with Three Prong Plugs
Tools marked "Grounding Required" have a three wire cord and three prong grounding plug. The plug must be connected to a properly grounded outlet (See Figure A). If the tool should electrically malfunction or break down, grounding provides a low resistance path to carry electricity away from the user, reducing the risk of electric shock. The grounding prong in the plug is connected through the green wire inside the cord to the grounding system in the tool. The green wire in the cord must be the only wire connected to the tool's grounding system and must never be attached to an electrically "live" terminal.

Your tool must be plugged into an appropriate outlet, properly installed and grounded in accordance with all codes and ordinances. The plug and outlet should look like those in Figure A.



Double Insulated Tools: Tools with Two Prong Plugs

Tools marked "Double Insulated" do not require grounding. They have a special double insulation system which satisfies OSHA requirements and complies with the applicable standards of Underwriters Laboratories, Inc., the Canadian Standard Association and the National Electrical Code. Double Insulated tools may be used in either of the 120 volt outlets shown in Figures B and C.



EXTENSION CORDS

Grounded tools require a three wire extension cord. Double insulated tools can use either a two or three wire extension cord. As the distance from the supply outlet increases, you must use a heavier gauge extension cord. Using extension cords with inadequately sized wire causes a serious drop in voltage, resulting in loss of power and possible tool damage. Refer to the table shown to determine the required minimum wire size.

The smaller the gauge number of the wire, the greater the capacity of the cord. For example, a 14 gauge cord can carry a higher current than a 16 gauge cord. When using more than one extension cord to make up the total length, be sure each cord contains at least the minimum wire size required. If you are using one extension cord for more than one tool, add the nameplate amperes and use the sum to determine the required minimum wire size.

Guidelines for Using Extension Cords

- If you are using an extension cord outdoors, be sure it is marked with the suffix "W-A" ("W" in Canada) to indicate that it is acceptable for outdoor use.
- Be sure your extension cord is properly wired and in good electrical condition. Always replace a damaged extension cord or have it repaired by a qualified person before using it.
- Protect your extension cords from sharp objects, excessive heat and damp or wet areas.

Nameplate Amperes	Extension Cord Length				
	25'	50'	75'	100'	150'
0 - 2.0	18	18	18	18	16
2.1 - 3.4	18	18	18	16	14
3.5 - 5.0	18	18	16	14	12
5.1 - 7.0	18	16	14	12	12
7.1 - 12.0	16	14	12	10	--
12.1 - 16.0	14	12	10	--	--
16.1 - 20.0	12	10	--	--	--

* Based on limiting the line voltage drop to five volts at 150% of the rated amperes.

READ AND SAVE ALL INSTRUCTIONS FOR FUTURE USE.

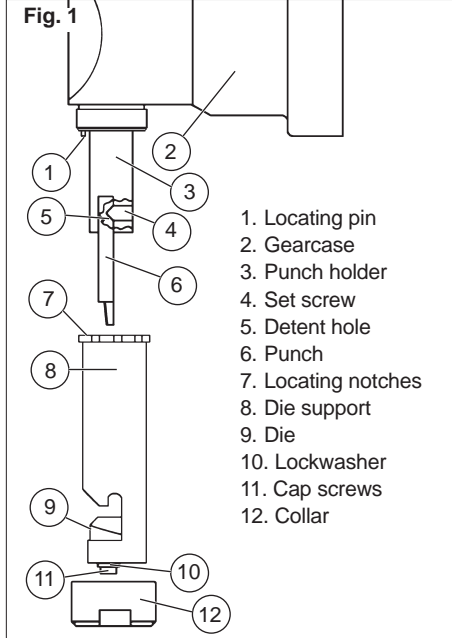
ASSEMBLY

⚠ WARNING To reduce the risk of injury, always unplug tool before attaching or removing accessories or making adjustments. Use only specifically recommended accessories. Others may be hazardous.

Punch and Die Replacement

Dies should be replaced about every third time the punch is changed, or as necessary. A plate wrench is provided with tool.

1. Unplug tool and place on a level surface.
2. Loosen collar with plate wrench. Remove collar and die support.
3. Punch Removal: Loosen the set screw with 2.5 mm allen wrench. Remove punch and discard.
4. Punch Installation: Align punch detent with set screw in punch holder. Tighten set screw securely to below the surface of the punch holder.
5. Die Removal: Remove cap screws and lockwashers with 2.5 mm allen wrench. Discard die.
6. Die Installation: Place die in position. Screw holes in die and die support will align when die is properly seated. Replace cap screws and lockwashers and tighten securely.
7. Position die support in desired direction of cut using locating pin. Replace collar and tighten securely.



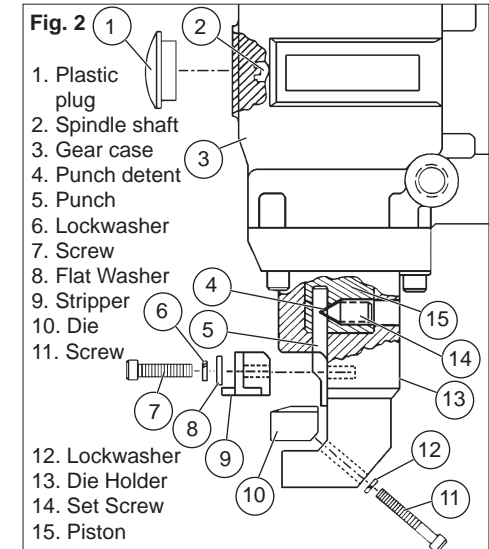
Punch and Die Replacement (Cat. No. 6880)
Punch and die should be changed as a set. A 4 mm allen wrench is required to remove and tighten screws in punch, die and stripper. All screws, washers, lockwashers and plastic cap removed during servicing will be required for reassembly.

1. Unplug tool and place on a level surface.
2. Stripper Removal: Remove screws, flat washers, lockwashers and stripper.
3. Die Removal: Remove screws, lockwashers and die. Discard die.
4. Punch Removal: Remove plastic plug and insert screwdriver in slot at end of spindle shaft. Rotate shaft until punch retaining set screw is visible through hole in rear of die holder. Remove set screw and punch. Discard punch.
5. Punch Installation: To install new punch, align punch with "D" slot. The punch is to be inserted until it bottoms in hole. Replace set screw and tighten securely. Replace plastic cap in gear case.
6. Die Installation: To install new die, align screw holes in die with holes in die holder. Replace lockwashers and screws and tighten securely.
7. Stripper Installation: To replace stripper, align screw holes in stripper with holes in die holder. Replace lockwashers, flat washers and screws. Adjust stripper (refer to Stripper Adjustment under "Operation"). Tighten screws securely.

If there are any problems with removal or installation of punch and die, contact your nearest MILWAUKEE service facility. Return tool and parts to that facility, if necessary.

Side Handle (Cat. No. 6880)

Unplug the tool before installing or removing the side handle. The side handle can be attached to either side of the gear case for right or left handed operation.



OPERATION

⚠ WARNING To reduce the risk of injury, always unplug tool before attaching or removing accessories or making adjustments. Use only specifically recommended accessories. Others may be hazardous.

⚠ WARNING To reduce the risk of injury, wear safety goggles or glasses with side shields.

Toggle Switch (Cat. No. 6880)

The tool is equipped with a toggle switch, located at the bottom of the motor housing. To start the tool, move the switch to the 'ON' position. To stop the tool, move the switch to the 'OFF' position. Make sure the switch is in the 'OFF' position before plugging the tool into an outlet.

Paddle Switch (Cat. No. 6890)

The tool is equipped with a momentary contact (deadman) paddle switch located at the bottom of the motor housing. To start the tool, grasp the motor housing and firmly squeeze the paddle. To stop the tool, release the paddle.

Cutting

Keep the tool at right angles to the surface of the workpiece. Use an even forward pressure to ensure efficient cutting. Cutting line should be lubricated before cutting. Place a few drops of oil on punch and die every 12-15 feet of cutting. If tool has difficulty cutting metal or leaves a rough edge, change punch and die (see "Tool Assembly").

Stripper Adjustment

To adjust stripper, use 4 mm allen wrench and loosen screws. Adjust stopper until it clears material being cut. If material vibrates or there is unnecessary movement during cutting, readjust stripper.

ACCESSORIES

⚠ WARNING To reduce the risk of injury, always unplug the tool before attaching or removing accessories. Use only specifically recommended accessories. Others may be hazardous.

For a complete listing of accessories refer to your *MILWAUKEE* Electric Tool catalog or go on-line to www.milwaukeetool.com. To obtain a catalog, contact your local distributor or a service center.

MAINTENANCE

⚠ WARNING To reduce the risk of injury, always unplug your tool before performing any maintenance. Never disassemble the tool or try to do any rewiring on the tool's electrical system. Contact a *MILWAUKEE* service facility for ALL repairs.

Maintaining Tools

Keep your tool in good repair by adopting a regular maintenance program. Before use, examine the general condition of your tool. Inspect guards, switches, tool cord set and extension cord for damage. Check for loose screws, misalignment, binding of moving parts, improper mounting, broken parts and any other condition that may affect its safe operation. If abnormal noise or vibration occurs, turn the tool off immediately and have the problem corrected before further use. Do not use a damaged tool. Tag damaged tools "DO NOT USE" until repaired (see "Repairs").

Under normal conditions, relubrication is not necessary until the motor brushes need to be replaced. After six months to one year, depending on use, return your tool to the nearest *MILWAUKEE* service facility for the following:

- Lubrication
- Brush inspection and replacement
- Mechanical inspection and cleaning (gears, spindles, bearings, housing, etc.)
- Electrical inspection (switch, cord, armature, etc.)
- Testing to assure proper mechanical and electrical operation

⚠ WARNING To reduce the risk of injury, electric shock and damage to the tool, never immerse your tool in liquid or allow a liquid to flow inside the tool.

Cleaning

Clean dust and debris from vents. Keep the tool handles clean, dry and free of oil or grease. Use only mild soap and a damp cloth to clean your tool since certain cleaning agents and solvents are harmful to plastics and other insulated parts. Some of these include: gasoline, turpentine, lacquer thinner, paint thinner, chlorinated cleaning solvents, ammonia and household detergents containing ammonia. Never use flammable or combustible solvents around tools.

Repairs

If your tool is damaged, return the entire tool to the nearest service center.

LIMITED WARRANTY - USA AND CANADA

Every *MILWAUKEE* power tool (including cordless product – tool, battery pack(s) - see separate & distinct CORDLESS BATTERY PACK LIMITED WARRANTY statements & battery charger and Work Lights*) is warranted to the original purchaser only to be free from defects in material and workmanship. Subject to certain exceptions, *MILWAUKEE* will repair or replace any part on an electric power tool which, after examination, is determined by *MILWAUKEE* to be defective in material or workmanship for a period of five (5) years* after the date of purchase unless otherwise noted. Return of the power tool to a *MILWAUKEE* factory Service Center location or *MILWAUKEE* Authorized Service Station, freight prepaid and insured, is required. A copy of the proof of purchase should be included with the return product. This warranty does not apply to damage that *MILWAUKEE* determines to be from repairs made or attempted by anyone other than *MILWAUKEE* authorized personnel, misuse, alterations, abuse, normal wear and tear, lack of maintenance, or accidents.

*The warranty period for, Job Site Radios, M12™ Power Port, M18™ Power Source, and Trade Titan™ Industrial Work Carts is one (1) year from the date of purchase. The warranty period for a LED Work Light and LED Upgrade Bulb is a limited LIFETIME warranty to the original purchaser only, if during normal use the LED bulb fails the Work Light or Upgrade Bulb will be replaced free of charge.

*This warranty does not cover Air Nailers & Stapler, Airless Paint Sprayer, Cordless Battery Packs, Gasoline Driven Portable Power Generators, Hand Tools, Hoist – Electric, Lever & Hand Chain, M12™ Heated Jackets, Reconditioned product and Test & Measurement products. There are separate and distinct warranties available for these products.

Warranty Registration is not necessary to obtain the applicable warranty on a *MILWAUKEE* power tool product. The manufacturing date of the product will be used to determine the warranty period if no proof of purchase is provided at the time warranty service is requested.

ACCEPTANCE OF THE EXCLUSIVE REPAIR AND REPLACEMENT REMEDIES DESCRIBED HEREIN IS A CONDITION OF THE CONTRACT FOR THE PURCHASE OF EVERY *MILWAUKEE* PRODUCT. IF YOU DO NOT AGREE TO THIS CONDITION, YOU SHOULD NOT PURCHASE THE PRODUCT. IN NO EVENT SHALL *MILWAUKEE* BE LIABLE FOR ANY INCIDENTAL, SPECIAL, CONSEQUENTIAL OR PUNITIVE DAMAGES, OR FOR ANY COSTS, ATTORNEY FEES, EXPENSES, LOSSES OR DELAYS ALLEGED TO BE AS A CONSEQUENCE OF ANY DAMAGE TO, FAILURE OF, OR DEFECT IN ANY PRODUCT INCLUDING, BUT NOT LIMITED TO, ANY CLAIMS FOR LOSS OF PROFITS. SOME STATES DO NOT ALLOW THE EXCLUSION OR LIMITATION OF INCIDENTAL OR CONSEQUENTIAL DAMAGES, SO THE ABOVE LIMITATION OR EXCLUSION MAY NOT APPLY TO YOU. THIS WARRANTY IS EXCLUSIVE AND IN LIEU OF ALL OTHER EXPRESS WARRANTIES, WRITTEN OR ORAL. TO THE EXTENT PERMITTED BY LAW, *MILWAUKEE* DISCLAIMS ANY IMPLIED WARRANTIES, INCLUDING WITHOUT LIMITATION ANY IMPLIED WARRANTY OF MERCHANTABILITY OR FITNESS FOR A PARTICULAR USE OR PURPOSE; TO THE EXTENT SUCH DISCLAIMER IS NOT PERMITTED BY LAW, SUCH IMPLIED WARRANTIES ARE LIMITED TO THE DURATION OF THE APPLICABLE EXPRESS WARRANTY AS DESCRIBED ABOVE. SOME STATES DO NOT ALLOW LIMITATIONS ON HOW LONG AN IMPLIED WARRANTY LASTS, SO THE ABOVE LIMITATION MAY NOT APPLY TO YOU. THIS WARRANTY GIVES YOU SPECIFIC LEGAL RIGHTS, AND YOU MAY ALSO HAVE OTHER RIGHTS WHICH VARY FROM STATE TO STATE. This warranty applies to product sold in the U.S.A. and Canada only.

Please consult the 'Service Center Search' in the Parts & Service section of *MILWAUKEE*'s website www.milwaukeetool.com or call **1.800.SAWDUST (1.800.729.3878)** to locate your nearest service facility for warranty and non-warranty service on a Milwaukee electric power tool.

LIMITED WARRANTY - MEXICO, CENTRAL AMERICA AND CARIBBEAN

TECHTRONIC INDUSTRIES' warranty is for 5 year since the original purchase date.

This warranty card covers any defect in material and workmanship on this Power Tool.

To make this warranty valid, present this warranty card, sealed/stamped by the distributor or store where you purchased the product, to the Authorized Service Center (ASC). Or, if this card has not been sealed/stamped, present the original proof of purchase to the ASC.

Call toll-free 1 800 832 1949 to find the nearest ASC, for service, parts, accessories or components.

Procedure to make this warranty valid

Take the product to the ASC, along with the warranty card sealed/stamped by the distributor or store where you purchased the product, and there any faulty piece or component will be replaced without cost for you. We will cover all freight costs relative with this warranty process.

Exceptions

This warranty is not valid in the following situations:

- When the product is used in a different manners from the end-user guide or instruction manual.
- When the conditions of use are not normal.
- When the product was modified or repaired by people not authorized by TECHTRONIC INDUSTRIES.

Note: If cord set is damaged, it should be replaced by an Authorized Service Center to avoid electric risks.

Model: _____

Date of Purchase: _____

Distributor or Store Stamp: _____

SERVICE AND ATTENTION CENTER
Av. Presidente Mazarik 29 Piso 7, 11570 Chapultepec Morales
Miguel Hidalgo, Distrito Federal, Mexico
Ph. 52 55 4160-3547

IMPORTED AND COMMERCIALIZED BY:
TECHTRONIC INDUSTRIES MEXICO, .S.A. DE C.V.
Av. Presidente Mazarik 29 Piso 7, 11570 Chapultepec Morales
Miguel Hidalgo, Distrito Federal, Mexico

RÈGLES DE SÉCURITÉ GÉNÉRALES RELATIVES AUX OUTILS ÉLECTRIQUES

AVERTISSEMENT LIRE TOUTES LES RÈGLES ET INSTRUCTIONS DE SÉCURITÉ. Ne pas suivre l'ensemble des règles et instructions peut entraîner une électrocution, un incendie ou des blessures graves. **Conserver les règles et les instructions à des fins de référence ultérieure.** Le terme «outil électrique» figurant dans les avertissements ci-dessous renvoie à l'outil électrique à alimentation par le réseau (à cordon) ou par batterie (sans fil).

SÉCURITÉ DU LIEU DE TRAVAIL

- **Maintenir la zone de travail propre et bien éclairée.** Les zones encombrées ou mal éclairées sont favorables aux accidents.
- **Ne pas utiliser d'outil électrique dans une atmosphère explosive, telle qu'en en présence de liquides, de gaz ou de poussières inflammables.** Les outils électriques génèrent des étincelles qui peuvent enflammer les poussières ou les fumées.
- **Tenir les enfants et les personnes non autorisées à l'écart pendant le fonctionnement d'un outil électrique.** Un manque d'attention de l'opérateur risque de lui faire perdre le contrôle de l'outil.

SÉCURITÉ ÉLECTRIQUE

- **La fiche de l'outil électrique doit correspondre à la prise d'alimentation. Ne jamais modifier la fiche d'une manière quelconque. Ne pas utiliser d'adaptateur avec les outils électriques mis à la terre (à la masse).** Des fiches non modifiées et des prises d'alimentation assorties réduisent le risque de choc électrique.
- **Éviter tout contact corporel avec des surfaces reliées à la masse ou à la terre telles que tuyaux, radiateurs, cuisinières et réfrigérateurs.** Un risque de choc électrique plus élevé existe si le corps est relié à la masse ou à la terre.
- **Ne pas exposer les outils électriques à la pluie ou à l'humidité.** Le risque de choc électrique augmente si de l'eau s'infiltré dans un outil électrique.
- **Prendre soin du cordon. Ne jamais utiliser le cordon pour transporter, tirer ou débrancher l'outil électrique. Tenir le cordon à l'écart de la chaleur, des huiles, des arêtes coupantes ou des pièces en mouvement.** Un cordon endommagé ou emmêlé présente un risque accru de choc électrique.
- **Se procurer un cordon d'alimentation approprié en cas d'utilisation d'un outil électrique à l'extérieur.** L'utilisation d'un cordon d'alimentation pour usage extérieur réduit le risque de choc électrique.
- **S'il est nécessaire d'utiliser l'outil électrique dans un endroit humide, installer un appareil à courant résiduel (RCD).** L'utilisation d'un RCD réduit le risque de décharge électrique.

SÉCURITÉ INDIVIDUELLE

- **Être sur ses gardes, être attentif et faire preuve de bon sens en utilisant un outil électrique. Ne pas utiliser un outil électrique en cas de fatigue ou sous l'influence de drogues, d'alcool ou de médicaments.** Un instant d'inattention lors de l'utilisation d'un outil électrique peut entraîner des blessures graves.
- **Porter l'équipement de protection requis. Toujours porter une protection oculaire.** Selon les conditions, porter aussi un masque anti-

poussières, des bottes de sécurité antidérapantes, un casque protecteur ou une protection auditive afin de réduire les blessures.

- **Empêcher les démarrages accidentels. S'assurer que la gâchette est en position d'arrêt avant de brancher l'outil à une source de courant, d'insérer la batterie, de le ramasser ou de le transporter.** Le fait de transporter l'outil en gardant le doigt sur la gâchette ou de le brancher lorsque la gâchette est en position de marche favorise les accidents.
- **Retirer toute clé de réglage avant de mettre l'outil sous tension.** Une clé laissée attachée sur une pièce mobile de l'outil électrique peut entraîner des blessures.
- **Ne pas travailler à bout de bras. Bien garder un bon équilibre à tout instant.** Ceci permet de mieux préserver la maîtrise de l'outil électrique dans des situations imprévues.
- **Porter des vêtements adéquats. Ne pas porter de vêtements amples ni de bijoux. Ne pas approcher les cheveux, vêtements et gants des pièces en mouvement.** Les vêtements amples, les bijoux ou les cheveux longs risquent d'être happés par les pièces en mouvement.
- **Si des dispositifs sont prévus pour l'extraction et la récupération des poussières, vérifier qu'ils sont connectés et utilisés correctement.** L'utilisation de ces dispositifs peut réduire les risques liés aux poussières.

UTILISATION ET ENTRETIEN DE L'OUTIL ÉLECTRIQUE

- **Ne pas forcer l'outil électrique. Utiliser l'outil électrique approprié à l'application considérée.** L'outil électrique adapté au projet considéré produira de meilleurs résultats, dans des conditions de sécurité meilleures, à la vitesse pour laquelle il a été conçu.
- **Ne pas utiliser l'outil électrique si le commutateur ne le met pas sous ou hors tension.** Tout outil électrique dont le commutateur de marche-arrêt est inopérant est dangereux et doit être réparé.
- **Débrancher la fiche de la prise d'alimentation et/ou la batterie de l'outil électrique avant d'effectuer des réglages, de changer d'accessoires ou de ranger l'outil.** De telles mesures de sécurité préventive réduisent le risque de mettre l'outil en marche accidentellement.
- **Ranger les outils électriques inutilisés hors de la portée des enfants et ne pas laisser des personnes qui connaissent mal les outils électriques ou ces instructions utiliser ces outils.** Les outils électriques sont dangereux dans les mains d'utilisateurs non formés à leur usage.
- **Entretien des outils électriques. S'assurer de l'absence de tout désalignement ou de grip-**







page des pièces mobiles, de toute rupture de pièce ou de toute autre condition qui pourrait affecter le bon fonctionnement de l'outil électrique. En cas de dommages, faire réparer l'outil avant de l'utiliser de nouveau. Les outils électriques mal entretenus sont à la source de nombreux accidents.

- **Garder les outils de coupe affûtés et propres.** Les outils de coupe correctement entretenus et bien affûtés risquent moins de se gripper et sont plus faciles à manier.
- **Utiliser l'outil électrique, les accessoires, les grains etc. conformément à ces instructions en tenant compte des conditions de travail et de la tâche à effectuer.** L'utilisation de cet outil électrique pour effectuer une opération pour laquelle il n'est pas conçu peut occasionner une situation dangereuse.

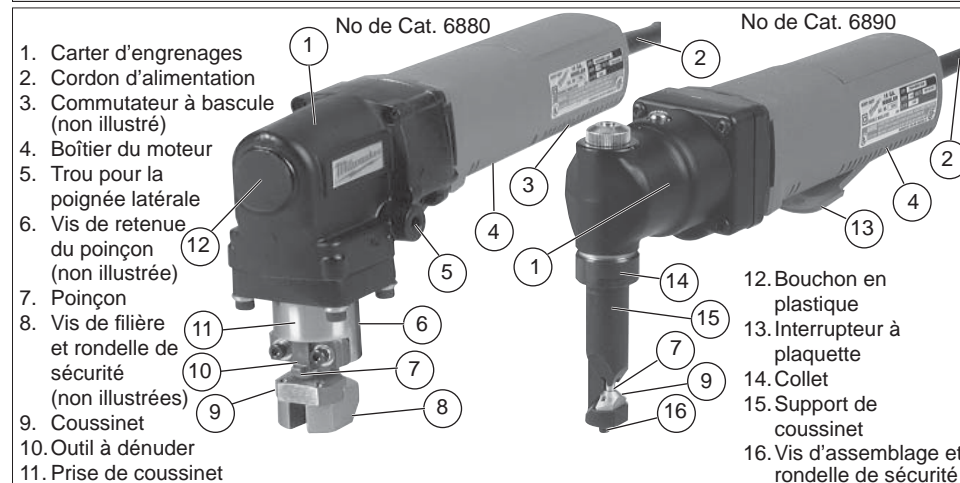
ENTRETIEN

- **Faire effectuer l'entretien de l'outil électrique par un technicien qualifié qui n'utilisera que des pièces de rechange identiques.** La sécurité d'utilisation de l'outil en sera préservée.

PICTOGRAPHIE

	Double Isolation
	Volts
	Couvant alternatif ou direct
	Ampères
	Coups par minute
	Underwriters Laboratories, Inc., États-Unis et Canada

DESCRIPTION FONCTIONNELLE



RÈGLES DE SÉCURITÉ SPÉCIFIQUES

- **Tenir l'outil par les surfaces de prise isolées si, au cours des travaux, l'outil de coupe risque d'entrer en contact avec des fils cachés ou avec son propre cordon.** Le contact avec un fil sous tension met les parties métalliques exposées de l'outil sous tension, ce qui infligera un choc électrique à l'opérateur.
- **Entretenez les étiquettes et marqués di fabricant.** Les indications qu'elles contiennent sont précieuses. Si elles deviennent illisibles ou se détachent, faites-les remplacer gratuitement à un centre de service **MILWAUKEE** accrédité.
- **AVERTISSEMENT!** La poussière de décharge par perçage, sclage, perçage et autres travaux de construction contient des substances chimiques reconnues comme pouvant causer le cancer, des malformations congénitales ou d'autres troubles de reproduction. Voici quelques exemples de telles substances :
 - Le plomb contenu dans la peinture au plomb.
 - Le silice cristallin contenu dans la brique, le béton et divers produits de maçonnerie.
 - L'arsenic et le chrome servant au traitement chimique du bois.
 Les risques associés à l'exposition à ces substances varient, dépendant de la fréquence des travaux. Afin de minimiser l'exposition à ces substances chimiques, assurez-vous de travailler dans un endroit bien aéré et d'utiliser de l'équipement de sécurité tel un masque antipoussière spécifiquement conçu pour la filtration de particules microscopiques.

SPÉCIFICATIONS

No de cat.	Volts AC/DC	A	Capacité	Coups par minute
6880	120	4	3,4 mm (10 GA)	0 - 1 000
6890	120	3,8	1,5 mm (16 GA)	0 - 1 900

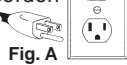
MISE A LA TERRE

AVERTISSEMENT Si le fil de mise à la terre est incorrectement raccordé, il peut en résulter des risques de choc électrique. Si vous n'êtes pas certain que la prise dont vous vous servez est correctement mise à la terre, faites-la vérifier par un électricien. N'altérez pas la fiche du cordon de l'outil. N'enlevez pas de la fiche, la dent qui sert à la mise à la terre. N'employez pas l'outil si le cordon ou la fiche sont en mauvais état. Si tel est le cas, faites-les réparer dans un centre-service MILWAUKEE accrédité avant de vous en servir. Si la fiche du cordon ne s'adapte pas à la prise, faites remplacer la prise par un électricien.

Outils mis à la terre : Outils pourvus d'une fiche de cordon à trois dents

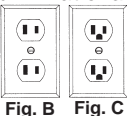
Les outils marqués « Mise à la terre requise » sont pourvus d'un cordon à trois fils dont la fiche a trois dents. La fiche du cordon doit être branchée sur une prise correctement mise à la terre (voir Figure A). De cette façon, si une défectuosité dans le circuit électrique de l'outil survient, le relais à la terre fournira un conducteur à faible résistance pour décharger le courant et protéger l'utilisateur contre les risques de choc électrique.

La dent de mise à la terre de la fiche est reliée au système de mise à la terre de l'outil via le fil vert du cordon. Le fil vert du cordon doit être le seul fil raccordé à un bout au système de mise à la terre de l'outil et son autre extrémité ne doit jamais être raccordée à une borne sous tension électrique. Votre outil doit être branché sur une prise appropriée, correctement installée et mise à la terre conformément aux codes et ordonnances en vigueur. La fiche du cordon et la prise de courant doivent être semblables à celles de la Figure A.



Outils à double isolation : Outils pourvus d'une fiche de cordon à deux dents

Les outils marqués « Double Isolation » n'ont pas besoin d'être raccordés à la terre. Ils sont pourvus d'une double isolation conforme aux exigences de l'OSHA et satisfont aux normes de l'Underwriters Laboratories, Inc., de l'Association canadienne de normalisation (ACNOR) et du « National Electrical Code » (code national de l'électricité). Les outils à double isolation peuvent être branchés sur n'importe laquelle des prises à 120 volt illustrées ci-contre Figure B et C.



CORDONS DE RALLONGE

Si l'emploi d'un cordon de rallonge est nécessaire, un cordon à trois fils doit être employé pour les outils mis à la terre. Pour les outils à double isolation, on peut employer indifféremment un cordon de rallonge à deux ou trois fils. Plus la longueur du cordon entre l'outil et la prise de courant est grande, plus le calibre du cordon doit être élevé. L'utilisation d'un cordon de rallonge incorrectement calibré entraîne une chute de voltage résultant en une perte de puissance qui risque de détériorer l'outil. Reportez-vous au tableau ci-contre pour déterminer le calibre minimum du cordon. Moins le calibre du fil est élevé, plus sa conductivité est bonne. Par exemple, un cordon de calibre 14 a une meilleure conductivité qu'un cordon de calibre 16. Lorsque vous utilisez plus d'une rallonge pour couvrir la distance, assurez-vous que chaque cordon possède le calibre minimum requis. Si vous utilisez un seul cordon pour brancher plusieurs outils, additionnez le chiffre d'intensité (ampères) inscrit sur la fiche signalétique de chaque outil pour obtenir le calibre minimal requis pour le cordon.

Directives pour l'emploi des cordons de rallonge

- Si vous utilisez une rallonge à l'extérieur, assurez-vous qu'elle est marquée des sigles « W-A » (« W » au Canada) indiquant qu'elle est adéquate pour usage extérieur.
- Assurez-vous que le cordon de rallonge est correctement câblé et en bonne condition. Remplacez tout cordon de rallonge détérioré ou faites-le remettre en état par une personne compétente avant de vous en servir.
- Tenez votre cordon de rallonge à l'écart des objets rancissants, des sources de grande chaleur et des endroits humides ou mouillés.

Calibres minimaux recommandés pour les cordons de rallonge*

Fiche signalétique Ampères	Longueur du cordon de rallonge (m)					
	7,6	12,2	22,8	30,4	45,7	60,9
0 - 5,0	16	16	16	14	12	12
5,1 - 8,0	16	16	14	12	10	--
8,1 - 12,0	14	14	12	10	--	--
12,1 - 15,0	12	12	10	10	--	--
15,1 - 20,0	10	10	10	--	--	--

* Basé sur une chute de voltage limite de 5 volts à 150% de l'intensité moyenne de courant.

LISEZ ATTENTIVEMENT CES INSTRUCTIONS ET CONSERVEZ-LES POUR LES CONSULTER AU BESOIN.

MONTAGE DE L'OUTIL

AVERTISSEMENT Pour minimiser les risques de blessures, débranchez toujours l'outil avant d'y faire des réglages, d'y attacher ou d'en enlever les accessoires. L'usage d'accessoires autres que ceux qui sont spécifiquement recommandés pour cet outil peut comporter des risques.

Remplacement du poinçon et du coussinet

Remplacez les coussinets environ à tous les trois changements de poinçon ou selon le besoin. Un clé plate est fournie avec l'outil.

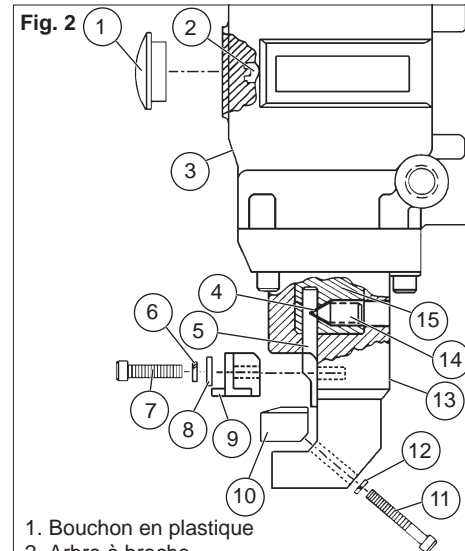
1. Débranchez l'outil et placez-le sur une surface de niveau.
2. Desserrez le collet avec la clé plate. Enlevez le collet et le support de coussinet.
3. Dépose du poinçon : Desserrez la vis de retenue avec la clé Allen de 2,5 mm. Déposez et jetez le poinçon.
4. Installation du poinçon : Alignez le crantage du poinçon avec la vis de retenue dans le support de poinçon. Serrez fermement la vis de retenue sous la surface du support de poinçon.
5. Dépose du coussinet : Enlevez les vis d'assemblage et les rondelles de sécurité avec une clé Allen de 2,5 mm. Jetez le coussinet.
6. Installation du coussinet : Placez le coussinet dans sa position. Les trous de vis dans le coussinet et dans son support s'aligneront lorsque le coussinet est correctement en place. Remettez en place les vis d'assemblage et les rondelles de sécurité et serrez fermement.
7. Placez le support de coussinet dans la direction de coupe voulue à l'aide de la broche d'alignement. Remettez en place le collet et serrez fermement.



1. Broche d'alignement
2. Carter d'engrenages
3. Porte-poinçon
4. Vis de retenue
5. Trou de crantage
6. Poinçon
7. Entailles de repérage
8. Support de coussinet
9. Coussinet
10. Rondelle de sécurité
11. Vis d'assemblage
12. Collet

Remplacement du poinçon et du coussinet (No de cat. 6880)

Remplacez le poinçon et le coussinet ensemble. Utilisez une clé Allen de 4 mm pour enlever et serrer les vis du poinçon, du coussinet et de l'outil à dénuder. Toutes les vis, rondelles, rondelles de sécurité et bouchon de plastique déposés pendant l'entretien serviront au réassemblage.



1. Bouchon en plastique
2. Arbre à broche
3. Carter d'engrenages
4. Crantage de poinçon
5. Poinçon
6. Rondelle de sécurité
7. Vis
8. Rondelle plate
9. Outil à dénuder
10. Coussinet
11. Vis
12. Rondelle de sécurité
13. Prise de coussinet
14. Vis de retenue
15. Piston

1. Débranchez l'outil et placez-le sur une surface de niveau.
2. Dépose de l'outil à dénuder : Déposez les vis, les rondelles plates, les rondelles de sécurité et l'outil à découper.
3. Dépose du coussinet : Déposez les vis, les rondelles de sécurité et le coussinet. Jetez le coussinet.
4. Dépose du poinçon : Déposez le bouchon en plastique et insérez le tournevis dans la fente située à l'extrémité de l'arbre à broche. Tournez l'arbre jusqu'à ce que la vis de retenue du poinçon soit visible par le trou situé à l'arrière du support du coussinet. Déposez la vis de retenue et le poinçon. Jetez le poinçon.
5. Installation du poinçon : Pour installer un nouveau poinçon, alignez-le avec la fente « D ». Insérez le poinçon jusqu'au fond du trou. Remettez en place la vis de retenue et serrez de façon sécuritaire. Remettez en place le bouchon en plastique du carter d'engrenages.

- Installation du coussinet : Pour installer un nouveau coussinet, alignez ses trous de vis avec ceux de son support. Remettez en place les rondelles de sécurité et les vis puis serrez fermement.
- Installation de l'outil à dénuder : Pour remplacer l'outil à dénuder, alignez ses trous de vis avec ceux du support de coussinet. Remettez en place les rondelles de sécurité, les rondelles plates et les vis. Ajustez l'outil à dénuder (reportez-vous à la rubrique Ajustement de l'outil à dénuder de la section « Utilisation »). Serrez solidement les vis.

Si vous éprouvez des difficultés à déposer ou à installer le poinçon ou le coussinet, consultez le centre de service **MILWAUKEE** de votre localité. Retournez l'outil et les pièces à cet endroit, le cas échéant.

Poignée latérale (No de cat. 6880)

Débranchez l'outil avant d'installer ou de déposer la poignée latérale. Vous pouvez fixer la poignée latérale sur l'un des deux côtés du carter d'engrenages pour une utilisation en droitier ou en gaucher.

MANIEMENT

AVERTISSEMENT Pour minimiser les risques de blessures, débranchez toujours l'outil avant d'y faire des réglages, d'y attacher ou d'en enlever les accessoires. L'usage d'accessoires autres que ceux qui sont spécifiquement recommandés pour cet outil peut comporter des risques.

AVERTISSEMENT Pour minimiser les risques de blessures, portez des lunettes à coques latérales.

Commutateur à bascule (No de cat. 6880)

L'outil est muni d'un commutateur à bascule, situé au fond du boîtier du moteur. Pour démarrer l'outil, placez le commutateur à la position de marche « ON ». Pour arrêter l'outil, placez le commutateur à la position d'arrêt « OFF ». Assurez-vous que le commutateur est bien à la position d'arrêt « OFF » avant de brancher l'outil dans une prise.

Commutateur à plaquette (No de cat. 6890)

L'outil est muni d'un commutateur à plaquette (à contact momentané), situé au fond du boîtier du moteur. Pour démarrer l'outil, saisissez le boîtier du moteur et pressez fermement la plaquette. Pour arrêter l'outil, relâchez la plaquette.

Coupe

Maintenez l'outil à des angles droits par rapport à la surface de la pièce à travailler. Pour obtenir une coupe efficace, appliquez une pression uniforme vers l'avant. Lubrifiez la ligne de coupe avant d'effectuer la coupe. Placez quelques gouttes d'huile sur le poinçon et sur le coussinet à tous les 3,7 à 4,6 m (12 à 15 pi) de la coupe. Si l'outil coupe difficilement le métal ou laisse des rebords rugueux, changez le poinçon et le coussinet (voir « Montage de l'outil »).

Ajustement de l'outil à dénuder

Pour ajuster l'outil à dénuder, utilisez une clé Allen de 4 mm et desserrez les vis. Réglez le butoir pour qu'il dégage le matériau coupé. Si le matériau vibre ou si des mouvements inutiles se produisent pendant la coupe, réajustez l'outil à dénuder.

ENTRETIEN

AVERTISSEMENT Pour minimiser les risques de blessures, débranchez toujours l'outil avant d'y effectuer des travaux de maintenance. Ne faites pas vous-même le démontage de l'outil ni le rebobinage du système électrique. Consultez un centre de service **MILWAUKEE** accrédité pour toutes les réparations.

Entretien de l'outil

Gardez l'outil en bon état en adoptant un programme d'entretien ponctuel. Avant de vous en servir, examinez son état en général. Inspectez-en la garde, interrupteur, cordon et cordon de rallonge pour en déceler les défauts. Vérifiez le serrage des vis, l'alignement et le jeu des pièces mobiles, les vices de montage, bris de pièces et toute autre condition pouvant en rendre le fonctionnement dangereux. Si un bruit ou une vibration insolite survient, arrêtez immédiatement l'outil et faites-le vérifier avant de vous en servir de nouveau. N'utilisez pas un outil défectueux. Fixez-y une étiquette marquée « HORS D'USAGE » jusqu'à ce qu'il soit réparé (voir « Réparations »).

Normalement, il ne sera pas nécessaire de lubrifier l'outil avant que le temps ne soit venu de remplacer les balais. Après une période pouvant aller de 6 mois à un an, selon l'usage, retournez votre outil à un centre de service **MILWAUKEE** accrédité pour obtenir les services suivants:

- Lubrification
- Inspection et remplacement des balais
- Inspection et nettoyage de la mécanique (engrenages, pivots, coussinets, boîtier etc.)
- Inspection électrique (interrupteur, cordon, induit etc)
- Vérification du fonctionnement électromécanique

AVERTISSEMENT Pour minimiser les risques de blessures, choc électrique et dommage à l'outil, n'immergez jamais l'outil et ne laissez pas de liquide s'y infiltrer.

Nettoyage

Débarrassez les événements des débris et de la poussière. Gardez les poignées de l'outil propres, à sec et exemptes d'huile ou de graisse. Le nettoyage de l'outil doit se faire avec un linge humide et un savon doux. Certains nettoyants tels l'essence, la térébenthine, les diluants à laque ou à peinture, les solvants chlorés, l'ammoniaque et les détergents d'usage domestique qui en contiennent pourraient détériorer le plastique et l'isolation des pièces. Ne laissez jamais de solvants inflammables ou combustibles auprès des outils.

Réparations

Si votre outil est endommagé, retourne l'outil entier au centre de maintenance le plus proche.

ACCESSOIRES

AVERTISSEMENT Débranchez toujours l'outil avant de changer ou d'enlever les accessoires. L'utilisation d'autres accessoires que ceux qui sont spécifiquement recommandés pour cet outil peut comporter des risques.

Pour une liste complète des accessoires, prière de se reporter au catalogue **MILWAUKEE Electric Tool** ou visiter le site internet www.milwaukeetool.com. Pour obtenir un catalogue, il suffit de contacter votre distributeur local ou l'un des centres-service.

GARANTIE LIMITÉE - AUX ÉTATS-UNIS ET AU CANADA

Chaque outil électrique **MILWAUKEE** (y compris les produits sans fil [outils, piles, chargeur de piles, lampe de travail]; consulter les énoncés de la GARANTIE LIMITÉE DES BLOCS-PILES SANS FIL) est garanti à l'acheteur d'origine être exempt de vice de matériau et de fabrication. Sous réserve de certaines exceptions, **MILWAUKEE** réparera ou remplacera toute pièce d'un outil électrique qui, après examen par **MILWAUKEE**, s'est avérée être affectée d'un vice de matériau ou de fabrication pendant une période de cinq (5) ans* après la date d'achat, sauf indication contraire. Retourner l'outil électrique, à un centre de réparations en usine **MILWAUKEE** ou à un poste d'entretien agréé **MILWAUKEE**, en port prépayé et assuré. Une copie de la preuve d'achat doit être présentée au moment de retourner le produit. Cette garantie ne couvre pas les dommages que **MILWAUKEE** détermine être causés par des réparations ou des tentatives de réparation par quiconque autre que le personnel agréé par **MILWAUKEE**, des utilisations incorrectes, des altérations, des utilisations abusives, une usure normale, une carence d'entretien ou des accidents.

*La période de garantie applicable pour les radios de chantier, le port d'alimentation M12™, Source d'énergie M18™, et les chariots de travail industriels Trade Titan™ est d'une durée d'un (1) an à partir de la date d'achat. La période de la garantie couvrant la lampe de travail à DEL et l'ampoule améliorée à DEL est une garantie À VIE limitée à l'acheteur d'origine seulement; si, lors d'une utilisation normale, l'ampoule à DEL présente une défectuosité, la lampe de travail et l'ampoule seront remplacées sans frais.

*Cette garantie ne s'applique pas aux cloveuses-agrafeuses pneumatiques, aux pulvérisateurs à peinture sans air, aux blocs piles pour outils sans fil, aux génératrices d'alimentation portatives à essence, aux outils à main, aux monte-charge – électrique, à levier et à chaîne (manuel), aux vestes chauffantes M12™, aux produits résinés, ni aux produits d'essai et de mesure. Il existe des garanties distinctes pour ces produits.

L'enregistrement de la garantie n'est pas nécessaire pour bénéficier de la garantie en vigueur sur un outil électrique **MILWAUKEE**. La date de fabrication du produit servira à établir la période de garantie si aucune preuve d'achat n'est fournie lorsqu'une demande de service sous garantie est présentée.

L'ACCEPTATION DES RECOURS EXCLUSIFS DE RÉPARATION ET DE REMPLACEMENT DÉCRITS AUX PRÉSENTES EST UNE CONDITION DU CONTRAT D'ACHAT DE TOUT PRODUIT **MILWAUKEE**. SI VOUS N'ACCEPTÉZ PAS CETTE CONDITION, VOUS NE DEVEZ PAS ACHETER LE PRODUIT. EN AUCUN CAS **MILWAUKEE** NE SAURAIT ÊTRE RESPONSABLE DE TOUT DOMMAGE ACCESSOIRE, SPÉCIAL OU INDIRECT, DE DOMMAGES-INTÉRÊTS PUNITIFS OU DE TOUTE DÉPENSE, D'HONORAIRES D'AVOCATS, DE FRAIS, DE PERTE OU DE DÉLAIS ACCESSOIRES À TOUT DOMMAGE, DÉFAILLANCE OU DÉFAUT DE TOUT PRODUIT, Y COMPRIS NOTAMMENT LES PERTES DE PROFIT. CERTAINS ÉTATS ET PROVINCES NE PERMETTANT PAS L'EXCLUSION OU LA LIMITATION DES DOMMAGES DIRECTS OU INDIRECTS, LES RESTRICTIONS CI-DESSUS PEUVENT NE PAS ÊTRE APPLICABLES. CETTE GARANTIE EST EXCLUSIVE ET REMPLACE TOUTE AUTRE GARANTIE EXPRESSE, QU'ELLE SOIT ORALE OU ÉCRITE. DANS LA MESURE PERMISE PAR LA LOI, **MILWAUKEE** RENONCE À TOUTE GARANTIE IMPLICITE, Y COMPRIS, SANS S'Y LIMITER, TOUTE GARANTIE IMPLICITE DE QUALITÉ MARCHANDE OU D'ADAPTATION À UNE UTILISATION OU À UNE FIN PARTICULIÈRE. DANS LA MESURE OU UNE TELLE STIPULATION D'EXONÉRATION N'EST PAS PERMISE PAR LA LOI, LA DURÉE DE CES GARANTIES IMPLICITES EST LIMITÉE À LA PÉRIODE APPLICABLE DE LA GARANTIE EXPRESSE, TEL QUE DÉCRIT PRÉCÉDEMMENT. CERTAINS ÉTATS ET PROVINCES NE PERMETTANT PAS DE LIMITATION DE DURÉE DES GARANTIES IMPLICITES, LES RESTRICTIONS CI-DESSUS PEUVENT NE PAS ÊTRE APPLICABLES. LA PRÉSENTE CONFÈRE À L'UTILISATEUR DES DROITS LÉGAUX PARTICULIERS; IL BÉNÉFICIE ÉGALEMENT D'AUTRES DROITS QUI VARIENT D'UN ÉTAT À L'AUTRE.

Cette garantie s'applique aux produits vendus aux États-Unis et au Canada uniquement.

Veillez consulter la rubrique Centre SAV **MILWAUKEE**, dans la section Pièces & Service du site Web de **MILWAUKEE**, à l'adresse www.milwaukeetool.com, ou composer le 1-800-SAWDUST (1-800-729-3878) afin de trouver le centre de réparations en usine **MILWAUKEE** le plus près.

GARANTIE LIMITÉE – MEXIQUE, AMÉRIQUE CENTRALE ET CARAÏBES

TECHTRONIC INDUSTRIES' garantit le produit pendant cinq ans à partir de la date d'achat d'origine. Le présent bon de garantie couvre tous les vices de matériau et de fabrication que peut afficher cet outil électrique. Pour assurer la validité de la présente garantie, veuillez présenter le bon de commande, estampillé du sceau du distributeur ou du magasin où le produit a été acheté, au centre de réparations agréé. Si le bon de commande n'a pas été estampillé, veuillez fournir la preuve d'achat d'origine au centre de réparations agréé. Pour un entretien, des pièces, des accessoires ou d'autres composants, composer sans frais le 1-800-832-1949 afin d'obtenir les coordonnées du centre de réparations agréé le plus près.

Procédure pour assurer la validité de la garantie

Présenter le produit au centre de réparations agréé, accompagné du bon de commande estampillé du sceau du distributeur ou du magasin où le produit a été acheté. Toute pièce défectueuse ou tout composant défectueux sera remplacé sans frais. **Milwaukee** assume tous les frais de transport liés à ce processus de garantie.

Exceptions

La garantie ne s'applique pas dans les situations suivantes :

- Si le produit a été utilisé pour une fin autre que celle indiquée dans le guide de l'utilisateur final ou le manuel d'instructions.
- Si les conditions d'utilisations ne sont pas habituelles.
- Si le produit a été modifié ou réparé par une personne non autorisée par TECHTRONIC INDUSTRIES.

Note : Si le cordon électrique est endommagé, il doit être remplacé par un centre de réparations agréé pour éviter les risques d'électrocution.

Modèle : _____

Date d'achat : _____

Sceau du distributeur ou du magasin : _____

CENTRE DE RÉPARATIONS ET DE SERVICE
Av Presidente Mazarik 29 Piso 7, 11570 Chapultepec Morales
Miguel Hidalgo, Distrito Federal, Mexico
Ph. 52 55 4160-3547

IMPORTÉ ET COMMERCIALISÉ PAR :
TECHTRONIC INDUSTRIES MEXICO, S.A. DE C.V.
Av Presidente Mazarik 29 Piso 7, 11570 Chapultepec Morales
Miguel Hidalgo, Distrito Federal, Mexico

ADVERTENCIAS DE SEGURIDAD GENERALES PARA LA HERRAMIENTA ELÉCTRICA

ADVERTENCIA LEA TODAS LAS ADVERTENCIAS E INSTRUCCIONES DE SEGURIDAD. Si no sigue todas las advertencias e instrucciones, se pueden provocar una descarga eléctrica, un incendio o lesiones graves. **Guarde todas las advertencias e instrucciones para consultarlas en el futuro.** El término “herramienta eléctrica” en todas las advertencias incluidas más abajo se refiere a su herramienta operada por conexión (cable) a la red eléctrica o por medio de una batería (inalámbrica).

SEGURIDAD EN EL ÁREA DE TRABAJO

- Mantenga limpia y bien iluminada el área de trabajo. Las áreas desordenadas u oscuras contribuyen a que se produzcan accidentes.
- No utilice herramientas eléctricas en atmósferas explosivas, como en la presencia de líquidos, gases o polvo inflamables. Las herramientas eléctricas crean chispas que pueden incendiar el polvo o las emanaciones.
- Mantenga a los niños y otras personas alejadas mientras utiliza una herramienta eléctrica. Las distracciones pueden hacerle perder el control.

SEGURIDAD ELÉCTRICA

- Los enchufes de las herramientas eléctricas deben ser del mismo tipo que el tomacorrientes. Nunca realice ningún tipo de modificación en el enchufe. No use enchufes adaptadores con herramientas eléctricas con conexión a tierra. Se reducirá el riesgo de descarga eléctrica si no se modifican los enchufes y los tomacorrientes son del mismo tipo.
- Evite el contacto corporal con superficies con conexión a tierra, como tuberías, radiadores, estufas y refrigeradores. El riesgo de descarga eléctrica aumenta si su cuerpo está conectado a tierra.
- No exponga la herramientas eléctricas a la lluvia o a condiciones de humedad. El agua que entra en una herramienta eléctrica aumenta el riesgo de descarga eléctrica.
- No abuse del cable. Nunca use el cable para transportar la herramienta eléctrica, tirar de ella o desenchufarla. Mantenga el cable alejado del calor, los bordes afilados o las piezas en movimiento. Los cables dañados o enmarañados aumentan el riesgo de descarga eléctrica.
- Cuando se utiliza una herramienta eléctrica en el exterior, use una extensión que sea apropiada para uso en el exterior. El uso de un cable apropiado para el exterior reduce el riesgo de descarga eléctrica.
- Si debe operar una herramienta eléctrica en un lugar húmedo, utilice un suministro protegido por un dispositivo de corriente residual (RCD). Usar un RCD reduce el riesgo de que se produzcan descargas eléctricas.

SEGURIDAD PERSONAL

- Manténgase alerta, ponga cuidado a lo que está haciendo y use el sentido común cuando utilice una herramienta eléctrica. No use una herramienta eléctrica cuando está cansado o bajo la influencia de drogas, alcohol o medicinas. Despiéstese un minuto cuando se utiliza una

herramienta eléctrica puede tener como resultado lesiones personales graves.

- Use un equipo de protección personal. Lleve siempre protección ocular. Llevar un equipo de protección apropiado para la situación, como una máscara antipolvo, zapatos de seguridad antideslizantes, un casco o protección auditiva, reducirá las lesiones personales.
- Evite el encendido accidental. Asegúrese de que el interruptor esté en la posición de apagado antes de conectarlo a la toma de alimentación o a la batería, al levantar o mover la herramienta. Mover herramientas con el dedo en el interruptor o enchufarlas con el interruptor en la posición de encendido contribuye a que se produzcan accidentes.
- Quite todas las llaves de ajuste antes de encender la herramienta. Una llave que esté acoplada a una pieza giratoria de la herramienta puede provocar lesiones personales.
- No se estire demasiado. Mantenga los pies bien asentados y el equilibrio en todo momento. Esto permite tener mejor control de la herramienta eléctrica en situaciones inesperadas.
- Vístase de manera apropiada. No lleve ropa suelta ni joyas. Mantenga el cabello, la ropa y los guantes lejos de las piezas en movimiento. La ropa floja, las joyas o el cabello largo pueden quedar atrapados en las piezas en movimiento.
- Si se proporcionan dispositivos para la conexión de sistemas de recolección y extracción de polvo, asegúrese de que estén conectados y se usen apropiadamente. El uso de estos dispositivos puede reducir los peligros relacionados con el polvo.

USO Y CUIDADO DE LAS HERRAMIENTAS ELÉCTRICAS

- No fuerce la herramienta eléctrica. Use la herramienta eléctrica correcta para la aplicación. La herramienta eléctrica correcta funcionará mejor y de manera más segura a la velocidad para la que se diseñó.
- No use la herramienta eléctrica si el interruptor no la enciende ni la apaga. Cualquier herramienta eléctrica que no se pueda controlar con el interruptor es peligrosa y se debe reparar.
- Desconecte el enchufe de la toma de alimentación y/o la batería de la herramienta eléctrica antes de realizar cualquier ajuste, cambiar accesorios o almacenar las herramientas eléctricas. Dichas medidas preventivas de seguridad reducen el riesgo de que la herramienta se prenda accidentalmente.
- Almacene las herramientas eléctricas fuera del alcance de los niños y no permita que personas

no familiarizadas con ellas o estas instrucciones las utilicen. Las herramientas eléctricas son peligrosas en las manos de usuarios no capacitados.

- Mantenimiento de las herramientas eléctricas. Revise que no haya piezas móviles que estén desalineadas o que se atasquen, piezas rotas ni ninguna otra condición que pueda afectar el funcionamiento de la herramienta eléctrica. Si se encuentran daños, haga que le reparen la herramienta antes de usarla. Las herramientas mal mantenidas son la causa de muchos accidentes.
- Mantenga las herramientas de corte limpias y afiladas. Es menos probable que se atasquen las herramientas de corte con filos afilados que se mantienen de manera apropiada y también son más fáciles de controlar.
- Use la herramienta eléctrica, los accesorios, las brocas, etc. siguiendo estas instrucciones, teniendo en cuenta las condiciones de trabajo y la tarea que se va a realizar. El uso de la herramienta eléctrica para operaciones diferentes de aquellas para las que se diseñó podría originar una situación peligrosa.

MANTENIMIENTO

- Haga que un técnico calificado realice el mantenimiento de la herramienta eléctrica utilizando solamente piezas de repuesto idénticas. Esto asegurará que se mantiene la seguridad de la herramienta eléctrica.

REGLAS ESPECÍFICAS DE SEGURIDAD

- Agarre la herramienta por los asideros aislados cuando realice una operación en la que la herramienta de corte pueda entrar en contacto con cables ocultos o con su propio cable. El contacto con un cable “con corriente” hará que las partes de metal expuesto de la herramienta pasen la corriente y produzcan una descarga al operador.
- Guarde las etiquetas y placas de especificaciones. Estas tienen información importante.

Si son ilegibles o si no se pueden encontrar, póngase en contacto con un centro de servicio de MILWAUKEE para una refacción gratis.

- ADVERTENCIA Algunas partículas de polvo resultantes del lijado mecánico, aserrado, esmerilado, taladrado y otras actividades relacionadas a la construcción, contienen sustancias químicas que se saben ocasionan cáncer, defectos congénitos u otros daños al aparato reproductivo. A continuación se citan algunos ejemplos de tales sustancias químicas:
 - plomo proveniente de pinturas con base de plomo
 - sílice cristalino proveniente de ladrillos, cemento y otros productos de albañilería y
 - arsénico y cromo provenientes de madera químicamente tratada.
 El riesgo que usted sufre debido a la exposición varía dependiendo de la frecuencia con la que usted realiza estas tareas. Para reducir la exposición a estas sustancias químicas: trabaje en un área bien ventilada, y utilice equipo de seguridad aprobado como, por ejemplo, máscaras contra el polvo que hayan sido específicamente diseñadas para filtrar partículas microscópicas.

SIMBOLOGÍA

	Con doble aislamiento
	Volts
	de corriente alterna/corriente directa
	Amperios
	Golpes por minuto
	Underwriters Laboratories, Inc., Estados Unidos y Canadá

DESCRIPCIÓN FUNCIONAL

Cat. No. 6880

Cat. No. 6890

1. Caja de engranajes
2. Cordón de alimentación
3. Interruptor basculante (no se muestra)
4. Alojamiento del motor
5. Orificio de la empuñadura lateral
6. Tornillo de fijación del punzón (no se muestra)
7. Punzón
8. Arandela de seguridad y tornillo del troquel (no se muestra)
9. Troquel
10. Extractor
11. Portador de troquel
12. Tapón plástico
13. Interruptor de paleta
14. Collar
15. Soporte para troquel
16. Tornillo prisionero y arandela de seguridad

ESPECIFICACIONES				
Cat. No.	Volts ca/cd	A	Capacidad	Golpes por minuto
6880	120	4	3,4 mm (10 GA)	1 000
6890	120	3,8	1,5 mm (16 GA)	1 900

EXTENSIONES ELECTRICAS

Las herramientas que deben conectarse a tierra cuentan con clavijas de tres patas y requieren que las extensiones que se utilicen con ellas sean también de tres cables. Las herramientas con doble aislamiento y clavijas de dos patas pueden utilizarse indistintamente con extensiones de dos a tres cables. El calibre de la extensión depende de la distancia que exista entre la toma de la corriente y el sitio donde se utilice la herramienta. El uso de extensiones inadecuadas puede causar serias caídas en el voltaje, resultando en pérdida de potencia y posible daño a la herramienta. La tabla que aquí se ilustra sirve de guía para la adecuada selección de la extensión. Mientras menor sea el número del calibre del cable, mayor será la capacidad del mismo. Por ejemplo, un cable calibre 14 puede transportar una corriente mayor que un cable calibre 16. Cuando use más de una extensión para lograr el largo deseado, asegúrese que cada una tenga al menos, el mínimo tamaño de cable requerido. Si está usando un cable de extensión para más de una herramienta, sume los amperes de las varias placas y use la suma para determinar el tamaño mínimo del cable de extensión.

Guías para el uso de cables de extensión

- Si está usando un cable de extensión en sitios al aire libre, asegúrese que está marcado con el sufijo "W-A" ("W" en Canadá) el cual indica que puede ser usado al aire libre.
- Asegúrese que su cable de extensión está correctamente cableado y en buenas condiciones eléctricas. Cambie siempre una extensión dañada o hágala reparar por una persona calificada antes de volver a usarla.
- Proteja su extensión eléctrica de objetos cortantes, calor excesivo o áreas mojadas.

Calibre mínimo recomendado para cables de extensiones eléctricas*						
Amperios (En la placa)	Largo de cable de Extensión en (m)					
	7,6	12,2	22,8	30,4	45,7	60,9
0 - 5,0	16	16	16	14	12	12
5,1 - 8,0	16	16	14	12	10	--
8,1 - 12,0	14	14	12	10	--	--
12,1 - 15,0	12	12	10	10	--	--
15,1 - 20,0	10	10	10	--	--	--

* Basado en limitar la caída en el voltaje a 5 volts al 150% de los amperios.

LEA Y GUARDE TODAS LAS INSTRUCCIONES PARA FUTURAS REFERENCIAS.

TIERRA

⚠️ ADVERTENCIA Puede haber riesgo de descarga eléctrica si se conecta el cable de conexión de puesta a tierra incorrectamente. Consulte con un electricista certificado si tiene dudas respecto a la conexión de puesta a tierra del tomacorriente. No modifique el enchufe que se proporciona con la herramienta. Nunca retire la clavija de conexión de puesta a tierra del enchufe. No use la herramienta si el cable o el enchufe está dañado. Si está dañado antes de usarlo, llévelo a un centro de servicio MILWAUKEE para que lo reparen. Si el enchufe no se acopla al tomacorriente, haga que un electricista certificado instale un toma-corriente adecuado.

Herramientas con conexión a tierra:

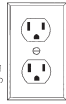
Herramientas con enchufes de tres clavijas

Las herramientas marcadas con la frase "Se requiere conexión de puesta a tierra" tienen un cable de tres hilo y enchufes de conexión de puesta a tierra de tres clavijas. El enchufe debe conectarse a un tomacorriente debidamente conectado a tierra (véase la Figura A). Si la herramienta se avería o no funcionara correctamente, la conexión de puesta a tierra proporciona un trayecto de baja resistencia para desviar la corriente eléctrica de la trayectoria del usuario, reduciendo de este modo el riesgo de descarga eléctrica.

La clavija de conexión de puesta a tierra en el enchufe está conectada al sistema de conexión de puesta a tierra de la herramienta a través del hilo verde dentro del cable. El hilo verde debe ser el único hilo conectado al sistema de conexión de puesta a tierra de la herramienta y nunca se debe unir a una terminal energizada.

Su herramienta debe estar enchufada en un tomacorriente apropiado, correctamente instalado y conectado a tierra según todos los códigos y reglamentos. El enchufe y el tomacorriente deben asemejarse a los de la Figura A.

Fig. A



Herramientas con doble aislamiento:

Herramientas con clavijas de dos patas

Las herramientas marcadas con "Doble aislamiento" no requieren conectarse "a tierra". Estas herramientas tienen un sistema aislante que satisface los estándares de OSHA y llena los estándares aplicables de UL (Underwriters Laboratories), de la Asociación Canadiense de Estándares (CSA) y el Código Nacional de Electricidad. Las herramientas con doble aislamiento pueden ser usadas en cualquiera de los toma corriente de 120 Volt mostrados en las Figuras B y C.



Fig. B



Fig. C

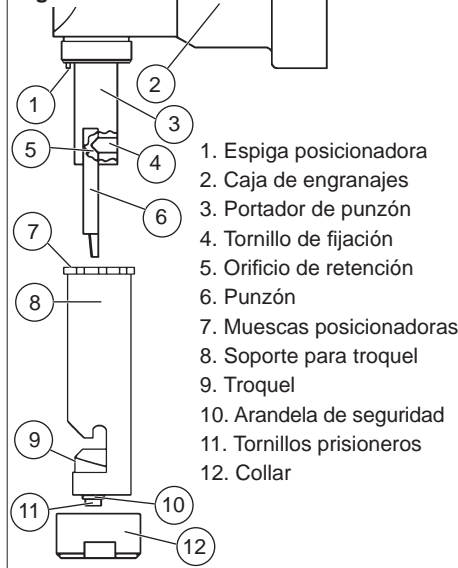
ENSAMBLAJE DE LA HERRAMIENTA

⚠️ ADVERTENCIA Para reducir el riesgo de una lesión, desconecte siempre la herramienta antes de fijar o retirar accesorios, o antes de efectuar ajustes. Utilice sólo los accesorios específicamente recomendados. El uso de otros accesorios puede ser peligroso.

Reemplazo del Punzón y el Troquel

Los troqueles deben reemplazarse durante cada tercer cambio de punzón, o según sea necesario. Con la herramienta se incluye una llave para chapas.

Fig. 1



1. Espiga posicionadora
2. Caja de engranajes
3. Portador de punzón
4. Tornillo de fijación
5. Orificio de retención
6. Punzón
7. Muecas posicionadoras
8. Soporte para troquel
9. Troquel
10. Arandela de seguridad
11. Tornillos prisioneros
12. Collar

1. Desenchufe la herramienta y colóquela sobre una superficie nivelada.
2. Afloje el collar con la llave para chapas. Extraiga el collar y el soporte para troquel.
3. Extracción del Punzón: Afloje el tornillo de fijación con una llave Allen de 2,5 mm. Extraiga el punzón y descártelo.
4. Instalación del Punzón: Alinee el fiador del punzón con el tornillo de fijación en el portador de punzón. Apriete bien el tornillo de fijación en la parte inferior de la superficie del portador de punzón.
5. Extracción del Troquel: Extraiga los tornillos prisioneros y las arandelas de seguridad con una llave Allen de 2,5 mm. Descarte el troquel.
6. Instalación del Troquel: Coloque el troquel en posición. Los orificios para los tornillos en el troquel y el soporte para troquel estarán alineados una vez el troquel quede bien asentado. Vuelva a colocar los tornillos prisioneros y las arandelas de seguridad, y apriete bien.
7. Coloque el soporte para troquel en la dirección de corte deseada utilizando la espiga posicionadora. Vuelva a colocar el collar y apriete bien.

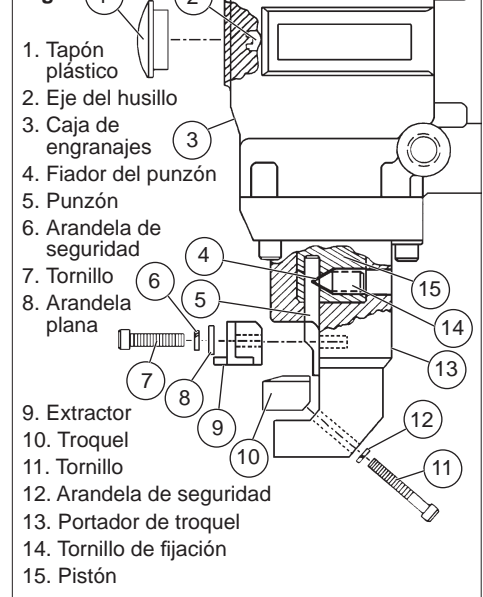
Reemplazo del Punzón y el Troquel

(Cat. No. 6880)

El punzón y el troquel deben cambiarse simultáneamente. Se necesita una llave Allen de 4 mm para extraer y apretar los tornillos en el punzón, el troquel y el extractor.

Todos los tornillos, las arandelas de seguridad y la tapa plástica extraídos durante el mantenimiento serán utilizados cuando se vuelva a montar la unidad.

Fig. 2



1. Tapón plástico
2. Eje del husillo
3. Caja de engranajes
4. Fiador del punzón
5. Punzón
6. Arandela de seguridad
7. Tornillo
8. Arandela plana
9. Extractor
10. Troquel
11. Tornillo
12. Arandela de seguridad
13. Portador de troquel
14. Tornillo de fijación
15. Pistón

1. Desenchufe la herramienta y colóquela sobre una superficie nivelada.
2. Extracción del Extractor: Extraiga los tornillos, las arandelas planas, las arandelas de seguridad y el extractor.
3. Extracción del Troquel: Extraiga los tornillos, las arandelas de seguridad y el troquel. Descarte el troquel.
4. Extracción del Punzón: Extraiga el tapón plástico e inserte el destornillador en la ranura del extremo del eje del husillo. Gire el eje hasta que el tornillo de fijación de retención del punzón pueda verse a través del orificio en la parte posterior del portador de troquel. Extraiga el tornillo de fijación y el punzón. Descarte el punzón.
5. Instalación del Punzón: Para instalar el nuevo punzón, alínelo con la ranura en "D". El punzón debe insertarse hasta que toque el fondo del orificio. Vuelva a colocar el tornillo de fijación y apriételo firmemente. Vuelva a colocar la tapa plástica en la caja de engranajes.
6. Instalación del Troquel: Para instalar el nuevo troquel, alínelo con los orificios para los tornillos en el troquel con los orificios en el portador de troquel. Vuelva a colocar las arandelas de seguridad y los tornillos, y apriete bien.

7. Instalación del Extractor: Para instalar el extractor, alinee los orificios con los tornillos en el extractor con los orificios en el portador de troquel. Vuelva a colocar las arandelas de seguridad, las arandelas planas y los tornillos. Ajuste el extractor (consulte Ajuste del Extractor bajo la sección 'Operación') Apriete bien los tornillos.

Si ocurre algún problema con la extracción o la instalación del punzón y el troquel, póngase en contacto con el centro de servicio MILWAUKEE más cercano. Devuelva la herramienta y las piezas al centro de servicio, si fuera necesario.

Empuñadura Lateral (Cat. No. 6880)

Desenchufe la herramienta antes de instalar o extraer la empuñadura lateral. La empuñadura lateral puede acoplarse en cualquier lado de la caja de engranajes para operar con la mano izquierda o derecha.

OPERACION

ADVERTENCIA Para reducir el riesgo de una lesión, desconecte siempre la herramienta antes de fijar o retirar accesorios, o antes de efectuar ajustes. Utilice sólo los accesorios específicamente recomendados. El uso de otros accesorios puede ser peligroso.

ADVERTENCIA Para reducir el riesgo de una lesión, use siempre lentes de seguridad o anteojos con protectores laterales.

Interruptor Basculante (Cat. No. 6880)

La herramienta viene equipada con un interruptor basculante, ubicado en la parte inferior del alojamiento del motor. Para poner en marcha la herramienta, mueva el interruptor basculante a la posición 'ON'. Para detener la herramienta, mueva el interruptor basculante a la posición 'OFF'. Asegúrese que el interruptor se encuentre en la posición 'OFF' antes de enchufar la herramienta en el receptáculo.

Interruptor de Paleta (Cat. No. 6890)

La herramienta viene equipada con un interruptor de contacto momentáneo (anclaje) ubicado en la parte inferior del alojamiento del motor. Para poner en marcha la herramienta, sujete el alojamiento del motor firmemente y oprima la paleta. Para detener la herramienta, suelte la paleta.

Corte

Mantenga la herramienta en ángulos rectos respecto de la superficie de la pieza de trabajo. Utilice una presión de avance uniforme para asegurar un corte eficiente. La línea de corte debe estar lubricada antes de iniciar el corte. Añada algunas gotas de aceite en el punzón y el troquel luego de cada 3,7m a 4,6 m (12' a 15') de corte. Si tiene dificultad al cortar metal o la herramienta deja bordes ásperos, cambie el punzón y el troquel (vea "Ensamblaje de la Herramienta").

Ajuste del Extractor

Para ajustar el extractor, utilice una llave Allen de 4 mm y afloje los tornillos. Ajuste el retenedor hasta que despeje el material a cortar. Si el material vibra o si se produce un movimiento innecesario durante el corte, vuelva a ajustar el extractor.

MANTENIMIENTO

ADVERTENCIA Para reducir el riesgo de lesiones, desconecte siempre la herramienta antes de darle cualquier mantenimiento. Nunca desarme la herramienta ni trate de hacer modificaciones en el sistema eléctrico de la misma. Acuda siempre a un Centro de Servicio MILWAUKEE para TODAS las reparaciones.

Mantenimiento de las herramientas

Adopte un programa regular de mantenimiento y mantenga su herramienta en buenas condiciones. Antes de usarla, examine las condiciones generales de la misma. Inspeccione guardas, interruptores, el cable de la herramienta y el cable de extensión. Busque tornillos sueltos o flojos, defectos de alineación y dobleces en partes móviles, así como montajes inadecuados, partes rotas y cualquier otra condición que pueda afectar una operación segura. Si detecta ruidos o vibraciones anormales, apague la herramienta de inmediato y corrija el problema antes de volver a usarla. No utilice una herramienta dañada. Colóquela una etiqueta que diga "NO DEBE USARSE" hasta que sea reparada (vea "Reparaciones"). Bajo condiciones normales, no se requiere lubricación hasta que haya que cambiar los carbones. Después de 6 meses a un año, dependiendo del uso dado, envíe su herramienta al Centro de Servicio MILWAUKEE más cercano para que le hagan:

- Lubricación
- Inspección y cambio de carbones
- Inspección mecánica y limpieza (engranes, flechas, baleros, carcarza, etc.)
- Inspección eléctrica (interruptor, cable, armadura, etc)
- Probarla para asegurar una operación mecánica y eléctrica adecuada.

ADVERTENCIA Para reducir el riesgo de lesiones, descarga eléctrica o daño a la herramienta, nunca la sumerja en líquidos ni permita que estos fluyan dentro de la misma.

Limpieza

Limpie el polvo y suciedad de las ventilas. Mantenga las empuñaduras de la herramienta limpias, secas y libres de aceite y grasa. Use sólo jabón neutro y un trapo húmedo para limpiar su herramienta ya que algunas substancias y disolventes limpiadores pueden ocasionar daños a materiales plásticos y partes aislantes. Algunos de estos incluyen: gasolina, trementina, diluyente para barniz, diluyente para pintura, disolventes limpiadores clorados, amoníaco, y detergentes caseros que contengan amoníaco.

Reparaciones

Si su instrumento se daña, vuelva el instrumento entero al más cercano centro de reparaciones.

ACCESORIOS

ADVERTENCIA Para reducir el riesgo de lesiones, siempre desconecte la herramienta antes de cambiar o retirar accesorios. Utilice únicamente accesorios específicamente recomendados para esta herramienta. El uso de accesorios no recomendados podría resultar peligroso.

Para una lista completa de accesorios, refiérase a su catálogo MILWAUKEE Electric Tool o visite nuestro sitio en Internet: www.milwaukeetool.com. Para obtener un catálogo, contacte su distribuidor local o uno de los centros de servicio.

GARANTÍA LIMITADA - E.U.A. Y CANADÁ

Se garantiza al comprador original que ninguna de las herramientas eléctricas MILWAUKEE (incluido el producto inalámbrico, la herramienta y las baterías; consulte las declaraciones distintas y por separado en GARANTÍA LIMITADA DEL PAQUETE DE BATERÍAS INALÁMBRICAS y de las Luces de Trabajo y del cargador de baterías) presentan defectos en material ni en mano de obra. En un plazo de cinco (5) años* a partir de la fecha de compra y sujeto a ciertas excepciones, MILWAUKEE reparará o reemplazará cualquier parte de una herramienta eléctrica que, luego de ser examinada, MILWAUKEE compruebe que presenta defectos en material o mano de obra, a menos que se indique lo contrario. Se requiere la devolución de la herramienta eléctrica a un centro de mantenimiento de la fábrica MILWAUKEE o a un centro de reparaciones autorizado por MILWAUKEE, con gastos de envío prepagados y asegurados. La devolución del producto debe estar acompañada por un comprobante de compra. Esta garantía no se aplica a los daños que MILWAUKEE establece que fueron ocasionados por reparaciones o intentos de reparación por parte de personal no autorizado por MILWAUKEE, uso indebido, alteraciones, abuso, desgaste y deterioro normal, falta de mantenimiento o accidentes.

*El período de garantía de las radios para obras, del puerto de alimentación M12™, Fuente de poder M18™, y de las carretillas de trabajo industrial Trade Titan™ es de un (1) año a partir de la fecha de compra. El período de garantía de la lámpara de trabajo con diodo luminiscente y del foco mejorado con diodo luminiscente es una garantía VITALICIA limitada para el comprador original únicamente. Si durante el uso normal el foco de diodo luminiscente no funciona, la lámpara de trabajo o el foco mejorado se reemplazará sin carga. *Esta garantía no cubre las clavadoras aéreas, las engrapadoras, el rociador de pintura inalámbrico, el paquete de baterías inalámbrico, los generadores eléctricos portátiles que funcionan con gasolina, herramientas manuales, elevadores (eléctricos, con palanca y con cadenas manuales), camisas de calefacción M12™, productos reacondicionados y productos de prueba y medición. Se encuentran disponibles garantías distintas para estos productos.

No se necesita registro de garantía para obtener la garantía correspondiente de un producto eléctrico MILWAUKEE. La fecha de fabricación del producto se utilizará para determinar el período de garantía si no se presenta un comprobante de compra en el momento en que se solicita el servicio de garantía.

LA ACEPTACIÓN DE LOS DERECHOS A REPARACIÓN Y REEMPLAZO EXCLUSIVAMENTE DESCRITOS EN EL PRESENTE DOCUMENTO CONSTITUYE UNA CONDICIÓN DEL CONTRATO POR LA COMPRA DE CADA PRODUCTO MILWAUKEE. SI NO ACEPTA ESTA CONDICIÓN, NO DEBE COMPRAR EL PRODUCTO. MILWAUKEE NO SERÁ EN NINGÚN CASO RESPONSABLE DE DAÑOS INCIDENTALES, ESPECIALES, CONSECUENTES O PUNITIVOS, NI DE COSTOS, HONORARIOS DE ABOGADOS, GASTOS, PERDIDAS O DEMORAS SUPUESTAMENTE CAUSADOS COMO CONSECUENCIA DE CUALQUIER DAÑO, FALLA O DEFECTO EN CUALQUIER PRODUCTO, INCLUIDOS, A MODO DE EJEMPLO, RECLAMOS POR PERDIDA DE GANANCIAS. ALGUNOS ESTADOS NO PERMITEN LA EXCLUSIÓN O LA LIMITACIÓN DE DAÑOS INCIDENTALES O CONSECUENTES. POR LO TANTO, LAS LIMITACIONES Y EXCLUSIONES ANTERIORES PUEDEN NO APLICARSE PARA USTED. ESTA GARANTÍA ES EXCLUSIVA Y SUSTITUYE A TODAS LAS OTRAS GARANTÍAS EXPRESAS, ESCRITAS U ORALES. SEGÚN LO PERMITA LA LEY, MILWAUKEE SE EXIME DE TODA GARANTÍA IMPLÍCITA, INCLUIDOS, A MODO DE EJEMPLO, TODA GARANTÍA IMPLÍCITA DE COMERCIABILIDAD O IDONEIDAD PARA UN USO O PROPÓSITO EN PARTICULAR; EN LA MEDIDA EN QUE DICHA RENUNCIA NO ESTÉ PERMITIDA POR LA LEY, DICHAS GARANTÍAS IMPLÍCITAS ESTÁN LIMITADAS A LA DURACIÓN DE LA GARANTÍA EXPRESA APLICABLE SEGÚN SE DESCRIBE ANTERIORMENTE. ALGUNOS ESTADOS NO PERMITEN LIMITACIONES EN LA DURACIÓN DE UNA GARANTÍA IMPLÍCITA. POR LO TANTO, LA LIMITACIÓN ANTERIOR PUEDE NO APLICARSE PARA USTED. ESTA GARANTÍA LE OTORGA DERECHOS LEGALES ESPECÍFICOS Y TAMBIÉN PUEDE TENER OTROS DERECHOS QUE VARIAN DE ESTADO EN ESTADO.

Esta garantía se aplica a los productos vendidos en los EE. UU. y Canadá.

Consulte 'Service Center Search' (Búsqueda de centro de servicio) en la sección Parts & Services (Piezas y servicios) del sitio web MILWAUKEE, www.milwaukeetool.com o llame al 1.800.SAWDUST (1.800.729.3878) para encontrar su Centro de Servicio de la fábrica de MILWAUKEE más cercano.

PÓLIZA DE GARANTÍA - VALIDA SOLO PARA MÉXICO, AMÉRICA CENTRAL Y EL CARIBE

TECHTRONIC INDUSTRIES., garantiza por 5 años este producto a partir de la fecha original de compra. Esta garantía cubre cualquier defecto que presenten las piezas, componentes y la mano de obra contenidas en este producto Para América Central y el Caribe se debe confirmar en el Centro de Servicio Autorizado el plazo de la garantía. Para hacer efectiva la Garantía deberá presentar al Centro de Servicio Autorizado la Póliza de Garantía sellada por el establecimiento en donde adquirió el producto. Si no la tienen, podrá presentar el comprobante de compra original. Usted puede llamar sin costo al teléfono 01 800 832 1949 o por correo electrónico a la dirección "servicio@tiigroupna.com", para ubicar el Centro de Servicio Autorizado más cercano a su domicilio, en el cual además podrá adquirir partes, componentes, consumibles y accesorios, que usted necesite.

Procedimiento para hacer válida la garantía

Acuda al Centro de Servicio con el producto y la póliza de garantía sellada por el establecimiento donde realizó la compra. Ahí se reemplazará cualquier pieza o componente defectuoso sin cargo alguno para el usuario final. La empresa se hace responsable de los gastos de transportación razonablemente erogados que se deriven del cumplimiento de la presente garantía.

Excepciones

La garantía perderá validez en los siguientes casos:

- a) Cuando el producto se hubiese utilizado en condiciones distintas a las normales.
- b) Cuando el producto no hubiese sido operado de acuerdo con el instructivo de uso que le acompaña.
- c) Cuando el producto hubiese sido alterado o reparado por personas no autorizadas por TECHTRONIC INDUSTRIES.

Nota: Si el cordón de alimentación es dañado, este debe ser reemplazado por el fabricante o por un Centro de Servicio Autorizado para evitar riesgo.

Modelo: _____
Fecha de Compra: _____
Sello del Distribuidor: _____

CENTRO DE SERVICIO Y ATENCIÓN A CLIENTES
Av Presidente Mazarik 29 Piso 7, 11570 Chapultepec Morales
Miguel Hidalgo, Distrito Federal, Mexico
Tel. 52 55 4160-3547

IMPORTADO Y COMERCIALIZADO POR:
TECHTRONIC INDUSTRIES MEXICO, S.A. DE C.V.
Av Presidente Mazarik 29 Piso 7, 11570 Chapultepec Morales
Miguel Hidalgo, Distrito Federal, Mexico

UNITED STATES MILWAUKEE Service

MILWAUKEE prides itself in producing a premium quality product that is NOTHING BUT HEAVY DUTY®. Your satisfaction with our products is very important to us! If you encounter any problems with the operation of this tool, or you would like to locate the *factory Service/Sales Support Branch* or *authorized service station* nearest you, please call...

Additionally, we have a nationwide network of *authorized* Distributors ready to assist you with your tool and accessory needs. Check your "Yellow Pages" phone directory under "Tools-Electric" for the names & addresses of those nearest you or see the 'Where To Buy' section of our website.

1-800-SAWDUST

(1.800.729.3878)

Monday-Friday
7:00 AM - 6:30 PM

Central Time
or visit our website at

www.milwaukeetool.com

For service information, use the 'Service Center Search' icon found in the 'Parts & Service' section.

Contact our Corporate After Sales Service Technical Support about ...

- Technical Questions
- Service/Repair Questions
- Warranty

call: 1-800-SAWDUST

fax: 1.800.638.9582

email: metproductsupport@milwaukeetool.com

Register your tool online at www.milwaukeetool.com and...

- receive important notifications regarding your purchase
- ensure that your tool is protected under the warranty
- become a HEAVY DUTY club member

CANADA - Service MILWAUKEE

MILWAUKEE prides itself in producing a premium quality product that is NOTHING BUT HEAVY DUTY®. Your satisfaction with our products is very important to us!

If you encounter any problems with the operation of this tool, or you would like to locate the *factory Service/Sales Support Branch* or *authorized service station* nearest you, please call...

1.800.268.4015

Monday – Friday 7:00 – 4:30 CST

fax: 866.285.9049

Milwaukee Electric Tool (Canada) Ltd

140 Fernstaff Court, Unit 4 18129 111 Avenue NW
Vaughan, ON L4K 3L8 Edmonton, AB T5S 2P2

Additionally, we have a nationwide network of *authorized* Distributors ready to assist you with your tool and accessory needs. Call 1.800.268.4015 to find the names and addresses of the closest retailers or consult "Where to buy" on our Web site www.milwaukeetool.com

MILWAUKEE est fier de proposer un produit de première qualité NOTHING BUT HEAVY DUTY®. Votre satisfaction est ce qui compte le plus!

En cas de problèmes d'utilisation de l'outil ou pour localiser le centre de service/ventes ou le *centre d'entretien* le plus proche, appelez le...

1.800.268.4015

Lundi – Vendredi 7:00 – 4:30 CST

fax: 866.285.9049

Milwaukee Electric Tool (Canada) Ltd

140 Fernstaff Court, Unit 4 18129 111 Avenue NW
Vaughan, ON L4K 3L8 Edmonton, AB T5S 2P2

Notre réseau national de distributeurs agréés se tient à votre disposition pour fournir l'aide technique, l'outillage et les accessoires nécessaires. Composez le 1.800.268.4015 pour obtenir les noms et adresses des revendeurs les plus proches ou bien consultez la section «Où acheter» sur notre site web à l'adresse www.milwaukeetool.com

MEXICO - Soporte de Servicio MILWAUKEE

CENTRO DE ATENCIÓN A CLIENTES

Av Presidente Mazarik 29 Piso 7

11570 Chapultepec Morales

Miguel Hidalgo, Distrito Federal, Mexico

Teléfono 52 55 4160-3547

e-mail: servicio@ttigroupna.com

Adicionalmente, tenemos una red nacional de distribuidores autorizados listos para ayudarle con su herramienta y sus accesorios. Por favor, llame al 01 800 832 1949 para obtener los nombres y direcciones de los más cercanos a usted, o consulte la sección 'Where to buy' (Dónde comprar) de nuestro sitio web en

www.ttigroupmexico.com

Registre su herramienta en línea, en www.ttigroupmexico.com y...

- reciba importantes avisos sobre su compra
- asegúrese de que su herramienta esté protegida por la garantía
- conviértase en integrante de Heavy Duty

MILWAUKEE ELECTRIC TOOL CORPORATION

13135 West Lisbon Road • Brookfield, Wisconsin, U.S.A. 53005