



**OPERATOR'S MANUAL
MANUEL de L'UTILISATEUR
MANUAL del OPERADOR**

**Cat. No.
No de cat.
6390-20
6394**



**HEAVY-DUTY CIRCULAR SAW WITH TILT-LOK™ ADJUSTABLE HANDLE
SCIES CIRCULAIRES INDUSTRIELLES AVEC POIGNEE « TILT-LOK™ »
SIERRA CIRCULAR PARA TRABAJO PESADO CON EMPUÑADURA
TILT-LOK™ (INCLINABLE-FIJABLE)**

TO REDUCE THE RISK OF INJURY, USER MUST READ AND UNDERSTAND OPERATOR'S MANUAL.

AFIN DE RÉDUIRE LE RISQUE DE BLESSURES, L'UTILISATEUR DOIT LIRE ET BIEN COMPRENDRE LE MANUEL DE L'UTILISATEUR.

PARA REDUCIR EL RIESGO DE LESIONES, EL USUARIO DEBE LEER Y ENTENDER EL MANUAL DEL OPERADOR.

GENERAL POWER TOOL SAFETY WARNINGS

⚠ WARNING READ ALL SAFETY WARNINGS AND ALL INSTRUCTIONS. Failure to follow the warnings and instructions may result in electric shock, fire and/or serious injury. **Save all warnings and instructions for future reference.** The term “power tool” in the warnings refers to your mains-operated (corded) power tool or battery-operated (cordless) power tool.

WORK AREA SAFETY

- **Keep work area clean and well lit.** Cluttered or dark areas invite accidents.
- **Do not operate power tools in explosive atmospheres, such as in the presence of flammable liquids, gases or dust.** Power tools create sparks which may ignite the dust or fumes.
- **Keep children and bystanders away while operating a power tool.** Distractions can cause you to lose control.

ELECTRICAL SAFETY

- **Power tool plugs must match the outlet. Never modify the plug in any way. Do not use any adapter plugs with earthed (grounded) power tools.** Unmodified plugs and matching outlets will reduce risk of electric shock.
- **Avoid body contact with earthed or grounded surfaces such as pipes, radiators, ranges and refrigerators.** There is an increased risk of electric shock if your body is earthed or grounded.
- **Do not expose power tools to rain or wet conditions.** Water entering a power tool will increase the risk of electric shock.
- **Do not abuse the cord. Never use the cord for carrying, pulling or unplugging the power tool. Keep cord away from heat, oil, sharp edges or moving parts.** Damaged or entangled cords increase the risk of electric shock.
- **When operating a power tool outdoors, use an extension cord suitable for outdoor use.** Use of a cord suitable for outdoor use reduces the risk of electric shock.
- **If operating a power tool in a damp location is unavoidable, use a ground fault circuit interrupter (GFCI) protected supply.** Use of an GFCI reduces the risk of electric shock.

PERSONAL SAFETY

- **Stay alert, watch what you are doing and use common sense when operating a power tool. Do not use a power tool while you are tired or under the influence of drugs, alcohol or medication.** A moment of inattention while operating power tools may result in serious personal injury.
- **Use personal protective equipment. Always wear eye protection.** Protective equipment such as dust mask, non-skid safety shoes, hard hat, or hearing protection used for appropriate conditions will reduce personal injuries.
- **Prevent unintentional starting. Ensure the switch is in the off-position before connecting to power source and/or battery pack, picking up or carrying the tool.** Carrying power tools with your finger on the switch or energising power tools that have the switch on invites accidents.
- **Remove any adjusting key or wrench before turning the power tool on.** A wrench or a key left attached to a rotating part of the power tool may result in personal injury.

- **Do not overreach. Keep proper footing and balance at all times.** This enables better control of the power tool in unexpected situations.
- **Dress properly. Do not wear loose clothing or jewellery. Keep your hair, clothing and gloves away from moving parts.** Loose clothes, jewellery or long hair can be caught in moving parts.
- **If devices are provided for the connection of dust extraction and collection facilities, ensure these are connected and properly used.** Use of dust collection can reduce dust-related hazards.

POWER TOOL USE AND CARE

- **Do not force the power tool. Use the correct power tool for your application.** The correct power tool will do the job better and safer at the rate for which it was designed.
- **Do not use the power tool if the switch does not turn it on and off.** Any power tool that cannot be controlled with the switch is dangerous and must be repaired.
- **Disconnect the plug from the power source and/or the battery pack from the power tool before making any adjustments, changing accessories, or storing power tools.** Such preventive safety measures reduce the risk of starting the power tool accidentally.
- **Store idle power tools out of the reach of children and do not allow persons unfamiliar with the power tool or these instructions to operate the power tool.** Power tools are dangerous in the hands of untrained users.
- **Maintain power tools. Check for misalignment or binding of moving parts, breakage of parts and any other condition that may affect the power tool's operation. If damaged, have the power tool repaired before use.** Many accidents are caused by poorly maintained power tools.
- **Keep cutting tools sharp and clean.** Properly maintained cutting tools with sharp cutting edges are less likely to bind and are easier to control.
- **Use the power tool, accessories and tool bits etc. in accordance with these instructions, taking into account the working conditions and the work to be performed.** Use of the power tool for operations different from those intended could result in a hazardous situation.

SERVICE

- **Have your power tool serviced by a qualified repair person using only identical replacement parts.** This will ensure that the safety of the power tool is maintained.

SPECIFIC SAFETY RULES

Cutting procedures

- **⚠ DANGER: Keep hands away from cutting area and the blade. Keep your second hand on auxiliary handle, or motor housing.** If both hands are holding the saw, they cannot be cut by the blade.

- **Do not reach underneath the workpiece.** The guard cannot protect you from the blade below the workpiece.
- **Adjust the cutting depth to the thickness of the workpiece.** Less than a full tooth of the blade teeth should be visible below the workpiece.
- **Never hold piece being cut in your hands or across your leg. Secure the workpiece to a stable platform.** It is important to support the work properly to minimize body exposure, blade binding, or loss of control.
- **Hold the power tool by insulated gripping surfaces only, when performing an operation where the cutting tool may contact hidden wiring or its own cord.** Contact with a “live” wire will also make exposed metal parts of the power tool “live” and could give the operator an electric shock.
- **When ripping, always use a rip fence or straight edge guide.** This improves the accuracy of cut and reduces the chance of blade binding.
- **Always use blades with correct size and shape (diamond versus round) of arbour holes.** Blades that do not match the mounting hardware of the saw will run eccentrically, causing loss of control.
- **Never use damaged or incorrect blade washers or bolt.** The blade washers and bolt were specially designed for your saw, for optimum performance and safety of operation.

Further safety instructions for all saws Kickback causes and related warnings

- Kickback is a sudden reaction to a pinched, bound or misaligned saw blade, causing an uncontrolled saw to lift up and out of the workpiece toward the operator;
- When the blade is pinched or bound tightly by the kerf closing down, the blade stalls and the motor reaction drives the unit rapidly back toward the operator;
- If the blade becomes twisted or misaligned in the cut, the teeth at the back edge of the blade can dig into the top surface of the wood causing the blade to climb out of the kerf and jump back toward the operator.

Kickback is the result of saw misuse and/or incorrect operating procedures or conditions and can be avoided by taking proper precautions as given below:

- **Maintain a firm grip with both hands on the saw and position your arms to resist kickback forces. Position your body to either side of the blade, but not in line with the blade.** Kickback could cause the saw to jump backwards, but kickback forces can be controlled by the operator, if proper precautions are taken.
- **When blade is binding, or when interrupting a cut for any reason, release the trigger and hold the saw motionless in the material until the blade comes to a complete stop. Never attempt to remove the saw from the work or pull the saw backward while the blade is in motion or kickback may occur.** Investigate and take corrective actions to eliminate the cause of blade binding.
- **When restarting a saw in the workpiece, centre the saw blade in the kerf and check that saw**

teeth are not engaged into the material. If saw blade is binding, it may walk up or kickback from the workpiece as the saw is restarted.

- **Support large panels to minimise the risk of blade pinching and kickback.** Large panels tend to sag under their own weight. Supports must be placed under the panel on both sides, near the line of cut and near the edge of the panel.
- **Do not use dull or damaged blades.** Unsharpened or improperly set blades produce narrow kerf causing excessive friction, blade binding and kickback.
- **Blade depth and bevel adjusting locking levers must be tight and secure before making cut.** If blade adjustment shifts while cutting, it may cause binding and kickback.
- **Use extra caution when sawing into existing walls or other blind areas.** The protruding blade may cut objects that can cause kickback.

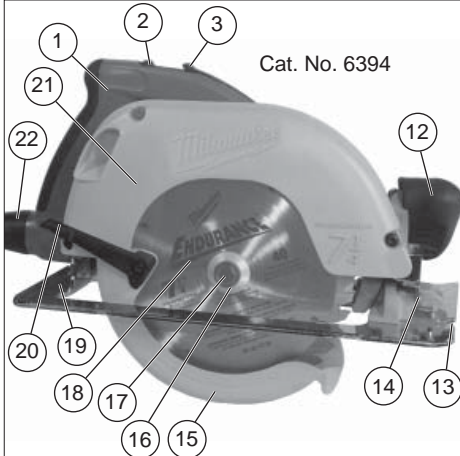
Lower guard function

- **Check lower guard for proper closing before each use. Do not operate the saw if lower guard does not move freely and close instantly. Never clamp or tie the lower guard into the open position.** If saw is accidentally dropped, lower guard may be bent. Raise the lower guard with the retracting handle and make sure it moves freely and does not touch the blade or any other part, in all angles and depths of cut.
- **Check the operation of the lower guard spring. If the guard and the spring are not operating properly, they must be serviced before use.** Lower guard may operate sluggishly due to damaged parts, gummy deposits, or a build-up of debris.
- **Lower guard should be retracted manually only for special cuts such as “plunge cuts” and “compound cuts.”** Raise lower guard by retracting handle and as soon as blade enters the material, the lower guard must be released. For all other sawing, the lower guard should operate automatically.
- **Always observe that the lower guard is covering the blade before placing saw down on bench or floor.** An unprotected, coasting blade will cause the saw to walk backwards, cutting whatever is in its path. Be aware of the time it takes for the blade to stop after switch is released.
- **Maintain labels and nameplates.** These carry important information. If unreadable or missing, contact a MILWAUKEE service facility for a free replacement.
- **WARNING** Some dust created by power sanding, sawing, grinding, drilling, and other construction activities contains chemicals known to cause cancer, birth defects or other reproductive harm. Some examples of these chemicals are:
 - lead from lead-based paint
 - crystalline silica from bricks and cement and other masonry products, and
 - arsenic and chromium from chemically-treated lumber.Your risk from these exposures varies, depending on how often you do this type of work. To reduce your exposure to these chemicals: work in a well ventilated area, and work with approved safety equipment, such as those dust masks that are specially designed to filter out microscopic particles.

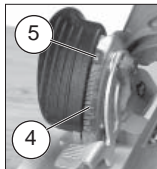
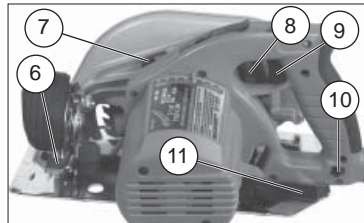
SPECIFICATIONS

Cat. No.	Volts	Amps	No Load RPM	Blade Size	Arbor	Depth of Cut at 90°	Depth of Cut at 45°
6390-20	120 AC/DC	15	6300	7-1/4"	5/8"	0 to 2-15/32"	0 to 1-13/16"
6394	120 AC Only	15	6300	7-1/4"	5/8"	0 to 2-15/32"	0 to 1-13/16"

FUNCTIONAL DESCRIPTION



Cat. No. 6394



1. Tilt-Lok™ handle
2. Handle lever release button
3. Handle release lever
4. Bevel scale
5. Bevel pointer
6. Bevel adjusting lever
7. Spindle lock button
8. Depth setting gauge (not shown)
9. Trigger
10. Cord release button
11. Depth adjusting lever
12. Front handle
13. Sight line
14. Rip fence slot
15. Lower guard
16. Blade flange
17. Blade bolt
18. Blade
19. Shoe
20. Lower guard lever
21. Upper guard
22. Positive-Lok® cord (Cat. No. 6394 only)

GROUNDING

WARNING Improperly connecting the grounding wire can result in the risk of electric shock. Check with a qualified electrician if you are in doubt as to whether the outlet is properly grounded. Do not modify the plug provided with the tool. Never remove the grounding prong from the plug. Do not use the tool if the cord or plug is damaged. If damaged, have it repaired by a MILWAUKEE service facility before use. If the plug will not fit the outlet, have a proper outlet installed by a qualified electrician.

Grounded Tools: Tools with Three Prong Plugs
Tools marked "Grounding Required" have a three wire cord and three prong grounding plug. The plug must be connected to a properly grounded outlet (See Figure A). If the tool should electrically malfunction or break down, grounding provides a low resistance path to carry electricity away from the user, reducing the risk of electric shock.

The grounding prong in the plug is connected through the green wire inside the cord to the grounding system in the tool. The green wire in the cord must be the only wire connected to the tool's grounding system and must never be attached to an electrically "live" terminal.

Your tool must be plugged into an appropriate outlet, properly installed and grounded in accordance with all codes and ordinances. The plug and outlet should look like those in Figure A.

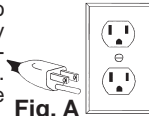


Fig. A

Double Insulated Tools:

Tools with Two Prong Plugs
Tools marked "Double Insulated" do not require grounding. They have a special double insulation system which satisfies OSHA requirements and complies with the applicable standards of Underwriters Laboratories, Inc., the Canadian Standard Association and the National Electrical Code. Double Insulated tools may be used in either of the 120 volt outlets shown in Figures B and C.

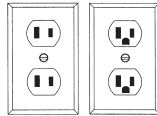


Fig. B Fig. C

EXTENSION CORDS

Grounded tools require a three wire extension cord. Double insulated tools can use either a two or three wire extension cord. As the distance from the supply outlet increases, you must use a heavier gauge extension cord. Using extension cords with inadequately sized wire causes a serious drop in voltage, resulting in loss of power and possible tool damage. Refer to the table

shown to determine the required minimum wire size. The smaller the gauge number of the wire, the greater the capacity of the cord. For example, a 14 gauge cord can carry a higher current than a 16 gauge cord. When using more than one extension cord to make up the total length, be sure each cord contains at least the minimum wire size required. If you are using one extension cord for more than one tool, add the nameplate amperes and use the sum to determine the required minimum wire size.

Guidelines for Using Extension Cords

- If you are using an extension cord outdoors, be sure it is marked with the suffix "W-A" ("W" in Canada) to indicate that it is acceptable for outdoor use.
- Be sure your extension cord is properly wired and in good electrical condition. Always replace a damaged extension cord or have it repaired by a qualified person before using it.
- Protect your extension cords from sharp objects, excessive heat and damp or wet areas.

Recommended Minimum Wire Gauge For Extension Cords*

Nameplate Amps	Extension Cord Length				
	25'	50'	75'	100'	150'
0 - 2.0	18	18	18	18	16
2.1 - 3.4	18	18	18	16	14
3.5 - 5.0	18	18	16	14	12
5.1 - 7.0	18	16	14	12	12
7.1 - 12.0	16	14	12	10	--
12.1 - 16.0	14	12	10	--	--
16.1 - 20.0	12	10	--	--	--

* Based on limiting the line voltage drop to five volts at 150% of the rated amperes.

READ AND SAVE ALL INSTRUCTIONS FOR FUTURE USE. SYMBOLOGY

	Double Insulated
	Volts
	Alternating Current/ Direct Current
	Alternating Current
	Amps
$n_0 \text{ XXXX min.}^{-1}$	No Load Revolutions per Minute (RPM)
	Underwriters Laboratories, Inc. United States and Canada

Fig. 2

Rip & Crosscut

A multi-purpose blade for ripping, cross cutting and mitering in hardwoods, softwoods, plywood and composition materials.

Framing-Rip

Designed for fast and accurate ripping along the grain in hard- or softwoods where a smooth cross cut is not necessary.

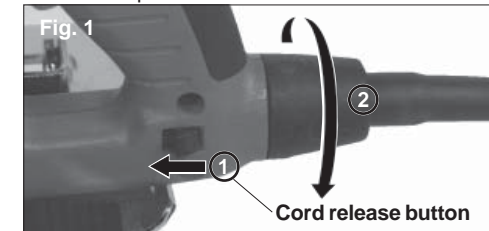
ASSEMBLY

WARNING To reduce the risk of injury, always unplug tool before attaching or removing accessories or making adjustments. Use only specifically recommended accessories. Others may be hazardous.

Removing and Replacing Positive-Lok® Cords (Cat. No. 6394)

MILWAUKEE'S exclusive Positive-Lok® Cords provide instant field replacement or substitution. The Positive-Lok® feature secures the cord firmly to the tool.

1. To remove the Positive-Lok® Cord, push the cord release button in the direction shown and turn the cord nut 1/4 turn to the left. Pull the cord out.
2. To replace the Positive-Lok® Cord, align the connector keyways and push the connector in as far as it will go. Turn the cord nut 1/4 turn to the right to lock. The cord release button will click back into place.



WARNING Only use accessories with maximum speed rating at least as high as nameplate RPM of tool.

Selecting Blade

Select a blade appropriate for your application. Refer to the "Accessories" section for a list of blades to be used for the proper applications of this tool. Always use sharp blades. Dull blades tend to overload the tool and increase the chance of KICK-BACK. Only use thin kerf blades with a maximum safe operating speed greater than the no load RPM marked on the tool's nameplate. Read the blade manufacturer's instructions before use. Do not use any type of abrasive cut-off wheel or dry diamond cutting blades. Use the correct blade type for your application. Using the wrong blade may result in reduced performance or damage to the blade. Do not use blades that are cracked or have broken teeth. Do not sharpen ferrous metal cutting blades; see the blade manufacturer's recommendations regarding sharpening.

Plywood-Veneer

Recommended for cutting plywood, composition materials and all types of wood where a slightly smoother finish is needed.

Finish & Trim

Especially designed for cross cutting and mitering in materials where a very smooth cut is necessary. Also cuts aluminum.

Checking the Operation of the Lower Guard

Check the operation and condition of the lower guard lever. If the guard and the lever are not operating properly, they must be serviced before use. Lower guard may operate sluggishly due to damaged parts, gummy deposits, or a buildup of debris.

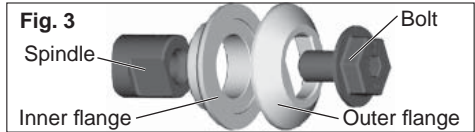
1. Unplug tool before checking the lower guard.
2. Place the tool on its side.

NOTE: This procedure will not show proper lower guard operation if the tool is not on its side.

3. Grasp the lower guard by the sides and push it all the way back into the blade housing.
4. Release the lower guard.
 - If the guard immediately springs back into place, it is working correctly and you may continue with use.
 - If the guard does not immediately spring back into place, clean the upper and lower guards to remove all chips and debris. Then, check the operation again by starting with step 1.
 - If the guard still does not immediately spring back into place, contact a MILWAUKEE service facility for repairs.

Installing and Removing Blades

1. Unplug tool before installing or removing blades.
2. Place the saw on a flat surface with the blade facing upwards. To remove the bolt from the spindle, push in the spindle lock button. While holding in the spindle lock button, use the wrench provided with the tool to turn the bolt counterclockwise. Remove the bolt and outer blade flange.
3. Slide the lower guard lever up to raise the lower guard. Remove the blade from the spindle. Always clean the spindle, upper guard and lower guard to remove any dirt and sawdust. **NOTE:** Do not remove inner blade flange. Larger diameter of inner flange (Fig. 3) should face the blade.



4. To install a blade, place the blade on the spindle with the teeth pointing in the same direction as the arrow on the lower guard (Fig. 4). Release the lower guard lever.



5. Place the outer blade flange on the spindle and hand tighten the bolt. Larger diameter of outer flange (Fig. 3) should rest on blade.
6. While holding the spindle lock button in, use the wrench to turn the bolt clockwise and tighten.

Adjusting Depth

1. Unplug tool.
2. To adjust the depth of the cut, hold the saw by the Tilt-Lok™ handle and loosen the depth adjusting lever by lifting it up and away from the shoe (Fig. 5).



3. Raise or lower the shoe to the desired position. Markings in 1/4" increments are located on the inner side of the upper guard for depth setting. For the proper depth setting, the blade should extend no more than 1/4" below the material being cut (Fig. 6).



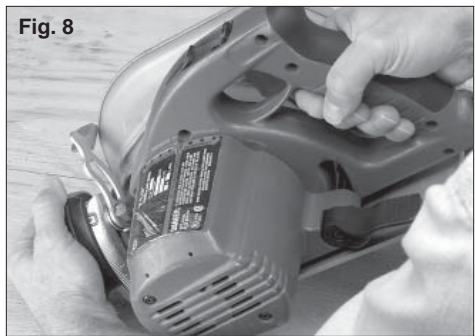
4. Move the depth adjusting lever towards the shoe and push down to secure the position.

Adjusting Bevel Angle

1. Unplug tool.
2. To adjust the angle of the cut, hold the saw by the Tilt-Lok™ handle and loosen the bevel adjusting lever by lifting it up towards the blade (Fig. 7).



3. Hold the front handle and rotate the saw by the Tilt-Lok™ handle to the desired angle as indicated by the markings on the bevel scale (Fig. 8).



4. Move the bevel adjusting lever away from the blade and push down to secure the position.

Adjusting Tilt-Lok™ Handle Angle

This circular saw is equipped with an adjustable handle. The Tilt-Lok™ feature allows the user to adjust the angle of the handle for optimum cutting positions.

1. Unplug tool.
2. Press in and hold the handle lever release button.
3. Loosen the handle release lever by lifting it up and away from the Tilt-Lok™ handle.
4. To adjust the handle position, hold the front handle and rotate the Tilt-Lok™ handle to the desired angle as indicated by the handle rotation adjustment markings (Fig. 9). The Tilt-Lok™ feature has eight (8) detents which allow the handle to snap into position. Allow the detent to snap into place.



NOTE: The blade depth setting will determine the range of Tilt-Lok™ positions available for the application. See "Adjusting Depth" for instructions on adjusting the blade depth.

5. Push the handle release lever back into the handle until it snaps into place.

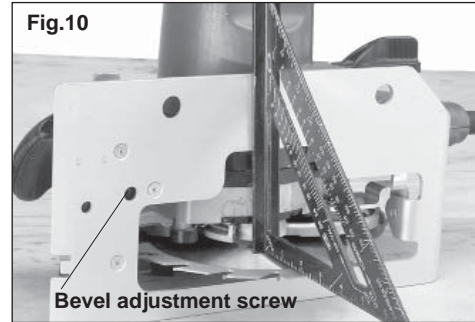
WARNING Do not operate saw with handle lever release button pressed in or with handle not locked into position.

NOTE: The saw will not operate if the handle release lever is not properly secured.

WARNING If the Tilt-Lok™ handle moves with the handle release lever in the locked position, do not operate saw. Return the circular saw to a MILWAUKEE service facility for repair immediately.

Adjusting the Blade to Shoe

The shoe has been adjusted at the factory to a 90 degree setting. Inspect the saw regularly to make sure the blade is 90 degrees to the shoe.



1. Unplug tool.
2. Set the bevel pointer to zero.
3. To make sure the blade is 90 degrees to the shoe, place saw on the blade side and retract lower guard. Place a square against the blade and shoe to inspect the degree setting (Fig. 10).
4. To adjust the degree setting, loosen the bevel adjusting lever up by lifting it up towards the blade. Turn the bevel adjustment screw in or out until the blade is at a 90 degree angle with the shoe.
5. Check that the bevel pointer is at 0 degrees. To adjust the bevel pointer, loosen the two screws in the front handle and reposition the bevel pointer to 0 degrees.

OPERATION

WARNING To reduce the risk of injury, wear safety goggles or glasses with side shields.

WARNING To reduce the risk of injury, always unplug tool before attaching or removing accessories or making adjustments. Use only specifically recommended accessories. Others may be hazardous.

- Kickback causes and related warnings**
- Kickback is a sudden reaction to a pinched, bound or misaligned saw blade, causing an uncontrolled saw to lift up and out of the workpiece toward the operator;
 - When the blade is pinched or bound tightly by the kerf closing down, the blade stalls and the motor reaction drives the unit rapidly back toward the operator;
 - If the blade becomes twisted or misaligned in the cut, the teeth at the back edge of the blade can dig into the top surface of the wood causing

the blade to climb out of the kerf and jump back toward the operator.

Kickback is the result of saw misuse and/or incorrect operating procedures or conditions and can be avoided by taking proper precautions as given below:

- **Maintain a firm grip with both hands on the saw and position your arms to resist kickback forces. Position your body to either side of the blade, but not in line with the blade.** Kickback could cause the saw to jump backwards, but kickback forces can be controlled by the operator, if proper precautions are taken.

- **When blade is binding, or when interrupting a cut for any reason, release the trigger and hold the saw motionless in the material until the blade comes to a complete stop. Never attempt to remove the saw from the work or pull the saw backward while the blade is in motion or kickback may occur.** Investigate and take corrective actions to eliminate the cause of blade binding.

- **When restarting a saw in the workpiece, centre the saw blade in the kerf and check that saw teeth are not engaged into the material.** If saw blade is binding, it may walk up or kickback from the workpiece as the saw is restarted.

- **Support large panels to minimise the risk of blade pinching and kickback.** Large panels tend to sag under their own weight. Supports must be placed under the panel on both sides, near the line of cut and near the edge of the panel.

- **Do not use dull or damaged blades.** Unsharpened or improperly set blades produce narrow kerf causing excessive friction, blade binding and kickback.

- **Blade depth and bevel adjusting locking levers must be tight and secure before making cut.** If blade adjustment shifts while cutting, it may cause binding and kickback.

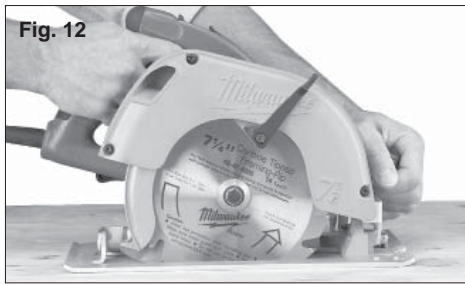
- **Use extra caution when sawing into existing walls or other blind areas.** The protruding blade may cut objects that can cause kickback.

General Operation

Always clamp the workpiece securely on a saw horse or bench (Fig. 11). See "APPLICATIONS" for the correct way to support your work in different situations.



1. Draw a cutting line. Place the front of the shoe on the edge of the workpiece without making blade contact. Hold the Tilt-Lok™ handle with one hand and the front handle with the other (Fig. 12).



2. Line up the sight line with your cutting line. Position your arms and body to resist KICKBACK. Pull the trigger, allowing the motor to reach full speed before beginning to cut.
3. While cutting, keep the shoe flat against the workpiece and maintain a firm grip. Do not force the saw through the workpiece. Forcing a saw can cause KICKBACK.
4. If making a partial cut, restarting in mid-cut or correcting direction, allow the blade to come to a complete stop. To resume cutting, center the blade in the kerf, back the saw away from cutting edge a few inches, pull the trigger and re-enter the cut slowly.
5. If the saw binds and stalls, maintain a firm grip and release the trigger immediately. Hold the saw motionless in the workpiece until the blade comes to a complete stop.
6. After finishing a cut, be sure the lower guard closes and the blade comes to a complete stop before setting the saw down.

Electric Brake (Cat. No. 6394)

Select models feature an electric brake. The brake engages when the trigger is released, causing the blade to stop and allowing you to proceed with your work. Generally, the saw blade stops within two seconds. However, there may be a delay between the time you release the trigger and when the brake engages. Occasionally the brake may miss completely. If the brake misses frequently, the saw needs servicing by an authorized MILWAUKEE service facility. The brake is not a substitute for the guard, and you must always wait for the blade to stop completely before removing the saw from the workpiece. The correct brush grade must be used for proper operation of the brake. Use only the correct MILWAUKEE replacement brushes when servicing the tool.

Troubleshooting

If the blade does not follow a straight line:

- Teeth are dull. This is caused by hitting a hard object such as a nail or stone, dulling teeth on one side. The blade tends to cut to the side with the sharpest teeth.
- Shoe is out of line or bent
- Blade is bent
- Rip fence or guide is not being used

If the blade binds, smokes or turns blue from friction:

- Blade is dull
- Blade is on backwards
- Blade is bent
- Blade is dirty
- Workpiece is not properly supported
- Incorrect blade is being used

APPLICATIONS

WARNING To reduce the risk of injury, wear safety goggles or glasses with side shields. Unplug the tool before changing accessories or making adjustments.

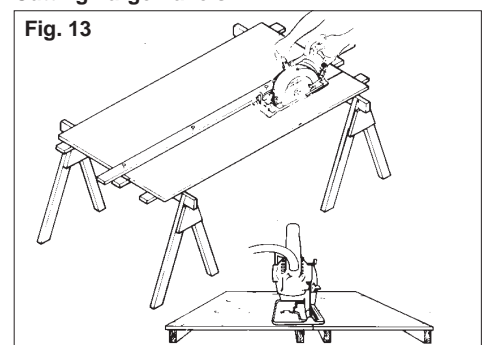
Selecting Tilt-Lok™ Handle Positions

The Tilt-Lok™ handle is a feature which allows the user to adjust the angle of the handle for optimum cutting positions. The Tilt-Lok™ handle has eight (8) detents which allow the handle to snap into position. See "Adjusting Tilt-Lok™ Handle" for instructions on adjusting the handle. Refer to the chart for suggested handle positions.

Application	Suggested Tilt-Lok™ Positions*
For cuts made at or near waist level	Handle in lower positions allows for more leverage when pushing the saw through the workpiece.
For shallow cuts made at or near waist level	Handle in lower positions allows the user to apply increased downward force during shallow cuts.
For cuts made below the waist, as in flooring applications	Handle in higher positions reduce the amount of "bending over" by the user. Higher handle positions allow the user to apply an increased downward force on the saw.
For cuts made overhead, as in ceiling applications	Handle in higher positions reduce the amount of extended reach by the user for overhead cuts. Higher handle positions allow the user to apply an increased upward force on the saw.

* These are only suggested positions; the actual optimum cutting position may vary depending on the actual application and user preference.

Cutting Large Panels



Large panels and long boards sag or bend if they are not correctly supported. If you attempt to cut without leveling and properly supporting the workpiece, the blade will tend to bind, causing KICKBACK. Support large panels. Be sure to set the depth of

the cut so that you only cut through the workpiece, not through the supports.

Ripping Wood

Ripping is cutting lengthwise with the grain. Select the proper blade for your job. Use a rip fence for rips 4" wide or less. To install the rip fence, slide the bar through the rip fence slot in either side of the shoe. The width of the cut is the distance from the inside of the blade to the inside edge of the rip fence. Adjust the rip fence for the desired width, and lock the setting by tightening the rip fence screws. When ripping widths greater than 4", clamp or tack 1" lumber to workpiece and use the inside edge of the shoe as a guide.

Cross-Cutting Wood

Cross-cutting is cutting across the grain. Select the proper blade for your job. Advance the saw slowly to avoid splintering the wood.



WARNING To reduce the risk of electric shock, check work area for hidden pipes and wires before making pocket cuts.

Pocket Cutting

Pocket cuts are made in the middle of the workpiece when it can not be cut from an edge. We recommend using a Sawzall® reciprocating saw or jig saw for this type of cut. However, if you must use a circular saw to make a pocket cut, USE EXTREME CAUTION. To maintain control of the saw during pocket cutting, keep both hands on the saw (Fig. 15).



1. Beginning at a corner, line up the sight line with your cutting line. Tilt the saw forward, firmly fixing the front of the shoe on the workpiece. The blade should be just above cutting line, but not touching it. Raise the lower guard using the lower guard lever.
2. Pull the trigger, allowing the blade to come up to full speed. Using the front of the shoe as a hinge point, gradually lower the back end of the saw into the workpiece.
3. When the shoe rests flat against workpiece, release the lower guard lever. Advance the saw to the far corner. Release the trigger and allow the blade to come to a complete stop before removing it from workpiece. Repeat the above steps for each side of the opening. Use a Sawzall® reciprocating saw, jig saw or small hand saw to finish the corners if they are not completely cut through.

Cutting Masonry and Metal

MILWAUKEE circular saws are not intended for continuous use in cutting metal or masonry. When cutting these materials, use the correct blade. MILWAUKEE does not recommend using bonded abrasive wheels on circular saws for any application.

WARNING Dust, chips, and grit can cause guard to hang up at any time. If saw is used to cut masonry or metal, reserve and mark it for that purpose only and return it to a MILWAUKEE service facility for cleaning and testing before using it for wood cutting.

WARNING Only use accessories with maximum speed rating at least as high as nameplate RPM of tool.

When cutting masonry, use a diamond blade. Make successive passes at depths of less than 1/4" to achieve the desired depth. Cutting at a depth of more than 1/4" will damage wheel. Unplug the tool and frequently clean dust from air vents and guards.

WARNING Do not use tool for cutting metal near flammable material. Sparks may cause fire.

When cutting metal, use a metal cutting blade. Set depth of cut to full depth. Protect everyone in the area from sparks.

ACCESSORIES

WARNING To reduce the risk of injury, always unplug the tool before attaching or removing accessories. Use only specifically recommended accessories. Others may be hazardous.

For a complete listing of accessories refer to your MILWAUKEE Electric Tool catalog or go on-line to www.milwaukeetool.com. To obtain a catalog, contact your local distributor or a service center.

MAINTENANCE

WARNING To reduce the risk of injury, always unplug your tool before performing any maintenance. Never disassemble the tool or try to do any rewiring on the tool's electrical system. Contact a MILWAUKEE service facility for ALL repairs.

Maintaining Tools

Keep your tool in good repair by adopting a regular maintenance program. Before use, examine the general condition of your tool. Inspect guards, switches, tool cord set and extension cord for damage. Check for loose screws, misalignment, binding of moving parts, improper mounting, broken parts and any other condition that may affect its safe operation. If abnormal noise or vibration occurs, turn the tool off immediately and have the problem corrected before further use. Do not use a damaged tool. Tag damaged tools "DO NOT USE" until repaired (see "Repairs").

Under normal conditions, relubrication is not necessary until the motor brushes need to be replaced. After six months to one year, depending on use, return your tool to the nearest MILWAUKEE service facility for the following:

- Lubrication
- Brush inspection and replacement
- Mechanical inspection and cleaning (gears, spindles, bearings, housing, etc.)
- Electrical inspection (switch, cord, armature, etc.)
- Testing to assure proper mechanical and electrical operation

WARNING To reduce the risk of injury, electric shock and damage to the tool, never immerse your tool in liquid or allow a liquid to flow inside the tool.

Cleaning

Clean dust and debris from vents. Keep the tool handles clean, dry and free of oil or grease. Use only mild soap and a damp cloth to clean your tool since certain cleaning agents and solvents are harmful to plastics and other insulated parts. Some of these include: gasoline, turpentine, lacquer thinner, paint thinner, chlorinated cleaning solvents, ammonia and household detergents containing ammonia. Never use flammable or combustible solvents around tools.

Repairs

If your tool is damaged, return the entire tool to the nearest service center.

LIMITED WARRANTY - USA AND CANADA

Every MILWAUKEE power tool (including cordless product – tool, battery pack(s) - see separate & distinct CORDLESS BATTERY PACK LIMITED WARRANTY statements & battery charger and Work Lights*) is warranted to the original purchaser only to be free from defects in material and workmanship. Subject to certain exceptions, MILWAUKEE will repair or replace any part on an electric power tool which, after examination, is determined by MILWAUKEE to be defective in material or workmanship for a period of five (5) years* after the date of purchase unless otherwise noted. Return of the power tool to a MILWAUKEE factory Service Center location or MILWAUKEE Authorized Service Station, freight prepaid and insured, is required. A copy of the proof of purchase should be included with the return product. This warranty does not apply to damage that MILWAUKEE determines to be from repairs made or attempted by anyone other than MILWAUKEE authorized personnel, misuse, alterations, abuse, normal wear and tear, lack of maintenance, or accidents.

*The warranty period for, Job Site Radios, M12™ Power Port, M18™ Power Source, and Trade Titan™ Industrial Work Carts is one (1) year from the date of purchase. The warranty period for a LED Work Light and LED Upgrade Bulb is a limited LIFETIME warranty to the original purchaser only, if during normal use the LED bulb fails the Work Light or Upgrade Bulb will be replaced free of charge.

*This warranty does not cover Air Nailers & Stapler, Airless Paint Sprayer, Cordless Battery Packs, Gasoline Driven Portable Power Generators, Hand Tools, Hoist – Electric, Lever & Hand Chain, M12™ Heated Jackets, Reconditioned product and Test & Measurement products. There are separate and distinct warranties available for these products.

Warranty Registration is not necessary to obtain the applicable warranty on a MILWAUKEE power tool product. The manufacturing date of the product will be used to determine the warranty period if no proof of purchase is provided at the time warranty service is requested.

ACCEPTANCE OF THE EXCLUSIVE REPAIR AND REPLACEMENT REMEDIES DESCRIBED HEREIN IS A CONDITION OF THE CONTRACT FOR THE PURCHASE OF EVERY MILWAUKEE PRODUCT. IF YOU DO NOT AGREE TO THIS CONDITION, YOU SHOULD NOT PURCHASE THE PRODUCT. IN NO EVENT SHALL MILWAUKEE BE LIABLE FOR ANY INCIDENTAL, SPECIAL, CONSEQUENTIAL OR PUNITIVE DAMAGES, OR FOR ANY COSTS, ATTORNEY FEES, EXPENSES, LOSSES OR DELAYS ALLEGED TO BE AS A CONSEQUENCE OF ANY DAMAGE TO, FAILURE OF, OR DEFECT IN ANY PRODUCT INCLUDING, BUT NOT LIMITED TO, ANY CLAIMS FOR LOSS OF PROFITS. SOME STATES DO NOT ALLOW THE EXCLUSION OR LIMITATION OF INCIDENTAL OR CONSEQUENTIAL DAMAGES, SO THE ABOVE LIMITATION OR EXCLUSION MAY NOT APPLY TO YOU. THIS WARRANTY IS EXCLUSIVE AND IN LIEU OF ALL OTHER EXPRESS WARRANTIES, WRITTEN OR ORAL. TO THE EXTENT PERMITTED BY LAW, MILWAUKEE DISCLAIMS ANY IMPLIED WARRANTIES, INCLUDING WITHOUT LIMITATION ANY IMPLIED WARRANTY OF MERCHANTABILITY OR FITNESS FOR A PARTICULAR USE OR PURPOSE; TO THE EXTENT SUCH DISCLAIMER IS NOT PERMITTED BY LAW, SUCH IMPLIED WARRANTIES ARE LIMITED TO THE DURATION OF THE APPLICABLE EXPRESS WARRANTY AS DESCRIBED ABOVE. SOME STATES DO NOT ALLOW LIMITATIONS ON HOW LONG AN IMPLIED WARRANTY LASTS, SO THE ABOVE LIMITATION MAY NOT APPLY TO YOU. THIS WARRANTY GIVES YOU SPECIFIC LEGAL RIGHTS, AND YOU MAY ALSO HAVE OTHER RIGHTS WHICH VARY FROM STATE TO STATE. This warranty applies to product sold in the U.S.A. and Canada only.

Please consult the 'Service Center Search' in the Parts & Service section of MILWAUKEE's website www.milwaukeetool.com or call 1.800.SAWDUST (1.800.729.3878) to locate your nearest service facility for warranty and non-warranty service on a Milwaukeeelectric power tool.

LIMITED WARRANTY - MEXICO, CENTRAL AMERICA AND CARIBBEAN

TECHTRONIC INDUSTRIES' warranty is for 5 year since the original purchase date.

This warranty card covers any defect in material and workmanship on this Power Tool.

To make this warranty valid, present this warranty card, sealed/stamped by the distributor or store where you purchased the product, to the Authorized Service Center (ASC). Or, if this card has not been sealed/stamped, present the original proof of purchase to the ASC.

Call toll-free 1 800 832 1949 to find the nearest ASC, for service, parts, accessories or components.

Procedure to make this warranty valid

Take the product to the ASC, along with the warranty card sealed/stamped by the distributor or store where you purchased the product, and there any faulty piece or component will be replaced without cost for you. We will cover all freight costs relative with this warranty process.

Exceptions

This warranty is not valid in the following situations:

- a) When the product is used in a different manners from the end-user guide or instruction manual.
- b) When the conditions of use are not normal.
- c) When the product was modified or repaired by people not authorized by TECHTRONIC INDUSTRIES.

Note: If cord set is damaged, it should be replaced by an Authorized Service Center to avoid electric risks.

Model: _____

Date of Purchase: _____

Distributor or Store Stamp: _____

SERVICE AND ATTENTION CENTER
Av Presidente Mazarik 29 Piso 7, 11570 Chapultepec Morales
Miguel Hidalgo, Distrito Federal, Mexico
Ph. 52 55 4160-3547

IMPORTED AND COMMERCIALIZED BY:
TECHTRONIC INDUSTRIES MEXICO, S.A. DE C.V.
Av Presidente Mazarik 29 Piso 7, 11570 Chapultepec Morales
Miguel Hidalgo, Distrito Federal, Mexico

RÈGLES DE SÉCURITÉ GÉNÉRALES RELATIVES AUX OUTILS ÉLECTRIQUES

AVERTISSEMENT LIRE TOUTES LES RÈGLES ET INSTRUCTIONS DE SÉCURITÉ.

Ne pas suivre l'ensemble des règles et instructions peut entraîner une électrocution, un incendie ou des blessures graves. **Conserver les règles et les instructions à des fins de référence ultérieure.** Le terme «outil électrique» figurant dans les avertissements ci-dessous renvoie à l'outil électrique à alimentation par le réseau (à cordon) ou par batterie (sans fil).

SÉCURITÉ DU LIEU DE TRAVAIL

- **Maintenir la zone de travail propre et bien éclairée.** Les zones encombrées ou mal éclairées sont favorables aux accidents.
- **Ne pas utiliser d'outil électrique dans une atmosphère explosive, telle qu'en en présence de liquides, de gaz ou de poussières inflammables.** Les outils électriques génèrent des étincelles qui peuvent enflammer les poussières ou les fumées.
- **Tenir les enfants et les personnes non autorisées à l'écart pendant le fonctionnement d'un outil électrique.** Un manque d'attention de l'opérateur risque de lui faire perdre le contrôle de l'outil.

SÉCURITÉ ÉLECTRIQUE

- **La fiche de l'outil électrique doit correspondre à la prise d'alimentation. Ne jamais modifier la fiche d'une manière quelconque. Ne pas utiliser d'adaptateur avec les outils électriques mis à la terre (à la masse).** Des fiches non modifiées et des prises d'alimentation assorties réduisent le risque de choc électrique.
- **Éviter tout contact corporel avec des surfaces reliées à la masse ou à la terre telles que tuyaux, radiateurs, cuisinières et réfrigérateurs.** Un risque de choc électrique plus élevé existe si le corps est relié à la masse ou à la terre.
- **Ne pas exposer les outils électriques à la pluie ou à l'humidité.** Le risque de choc électrique augmente si de l'eau s'infiltré dans un outil électrique.
- **Prendre soin du cordon. Ne jamais utiliser le cordon pour transporter, tirer ou débrancher l'outil électrique. Tenir le cordon à l'écart de la chaleur, des huiles, des arêtes coupantes ou des pièces en mouvement.** Un cordon endommagé ou emmêlé présente un risque accru de choc électrique.
- **Se procurer un cordon d'alimentation approprié en cas d'utilisation d'un outil électrique à l'extérieur.** L'utilisation d'un cordon d'alimentation pour usage extérieur réduit le risque de choc électrique.
- **S'il est nécessaire d'utiliser l'outil électrique dans un endroit humide, installer un disjoncteur différentiel (GFCI).** L'utilisation d'un GFCI réduit le risque de décharge électrique.

SÉCURITÉ INDIVIDUELLE

- **Être sur ses gardes, être attentif et faire preuve de bon sens en utilisant un outil électrique. Ne pas utiliser un outil électrique en cas de fatigue ou sous l'influence de drogues, d'alcool ou de médicaments.** Un instant d'inattention lors de l'utilisation d'un outil électrique peut entraîner

des blessures graves.

- **Porter l'équipement de protection requis. Toujours porter une protection oculaire.** Selon les conditions, porter aussi un masque anti-poussières, des bottes de sécurité antidérapantes, un casque protecteur ou une protection auditive afin de réduire les blessures.
- **Empêcher les démarrages accidentels. S'assurer que la gâchette est en position d'arrêt avant de brancher l'outil à une source de courant, d'insérer la batterie, de le ramasser ou de le transporter.** Le fait de transporter l'outil en gardant le doigt sur la gâchette ou de le brancher lorsque la gâchette est en position de marche favorise les accidents.
- **Retirer toute clé de réglage avant de mettre l'outil sous tension.** Une clé laissée attachée sur une pièce mobile de l'outil électrique peut entraîner des blessures.
- **Ne pas travailler à bout de bras. Bien garder un bon équilibre à tout instant.** Ceci permet de mieux préserver la maîtrise de l'outil électrique dans des situations imprévues.
- **Porter des vêtements adéquats. Ne pas porter de vêtements amples ni de bijoux. Ne pas approcher les cheveux, vêtements et gants des pièces en mouvement.** Les vêtements amples, les bijoux ou les cheveux longs risquent d'être happés par les pièces en mouvement.
- **Si des dispositifs sont prévus pour l'extraction et la récupération des poussières, vérifier qu'ils sont connectés et utilisés correctement.** L'utilisation de ces dispositifs peut réduire les risques liés aux poussières.

UTILISATION ET ENTRETIEN DE L'OUTIL ÉLECTRIQUE

- **Ne pas forcer l'outil électrique. Utiliser l'outil électrique approprié à l'application considérée.** L'outil électrique adapté au projet considéré produira de meilleurs résultats, dans des conditions de sécurité meilleures, à la vitesse pour laquelle il a été conçu.
- **Ne pas utiliser l'outil électrique si le commutateur ne le met pas sous ou hors tension.** Tout outil électrique dont le commutateur de marche-arrêt est inopérant est dangereux et doit être réparé.
- **Débrancher la fiche de la prise d'alimentation et/ou la batterie de l'outil électrique avant d'effectuer des réglages, de changer d'accessoires ou de ranger l'outil.** De telles mesures de sécurité préventive réduisent le risque de mettre l'outil en marche accidentellement.
- **Ranger les outils électriques inutilisés hors de la portée des enfants et ne pas laisser des**

personnes qui connaissent mal les outils électriques ou ces instructions utiliser ces outils. Les outils électriques sont dangereux dans les mains d'utilisateurs non formés à leur usage.

- **Entretien des outils électriques. S'assurer de l'absence de tout désalignement ou de grip-page des pièces mobiles, de toute rupture de pièce ou de toute autre condition qui pourrait affecter le bon fonctionnement de l'outil électrique. En cas de dommages, faire réparer l'outil avant de l'utiliser de nouveau.** Les outils électriques mal entretenus sont à la source de nombreux accidents.
- **Garder les outils de coupe affûtés et propres.** Les outils de coupe correctement entretenus et bien affûtés risquent moins de se gripper et sont plus faciles à manier.
- **Utiliser l'outil électrique, les accessoires, les grains etc. conformément à ces instructions en tenant compte des conditions de travail et de la tâche à effectuer.** L'utilisation de cet outil électrique pour effectuer une opération pour laquelle il n'est pas conçu peut occasionner une situation dangereuse.

ENTRETIEN

- **Faire effectuer l'entretien de l'outil électrique par un technicien qualifié qui n'utilisera que des pièces de rechange identiques.** La sécurité d'utilisation de l'outil en sera préservée.

RÈGLES DE SÉCURITÉ SPÉCIFIQUES

Consignes de sécurité pour toutes les scies Méthodes de coupe

- **⚠ DANGER : Garder les mains à l'écart de la zone de coupe et de la lame. Garder la deuxième main sur la poignée auxiliaire ou le carter du moteur.** Lorsque les deux mains sont utilisées pour tenir la scie, elles ne risquent pas d'être coupées par la lame.
- **Ne pas mettre les mains sous la pièce à travailler.** La garde de lame n'offre aucune protection en-dessous de la pièce à couper.
- **Ajuster la profondeur de coupe à l'épaisseur de la pièce à couper.** Moins d'une dent complète des dents de la lame doit être visible sous la pièce à couper.
- **Ne jamais tenir à la main une pièce en train d'être coupée et ne pas la poser sur la jambe. Fixer la pièce à couper sur une plate-forme stable.** Il est essentiel de soutenir correctement la pièce à couper pour éviter les risques de coupure, de blocage de la lame et de perte du contrôle.
- **Lorsque l'outil est utilisé pour un travail risquant de mettre l'outil de coupe en contact avec des fils électriques cachés ou son propre cordon, le tenir par les surfaces de prise isolées uniquement.** Le contact avec un fil sous tension « électrifié » également les pièces métalliques exposées de l'outil et peut électrocuter l'utilisateur.
- **Pour les coupes en long, utiliser toujours un guide longitudinal ou une règle.** Ceci accroît la précision de la coupe et réduit le risque de blocage de la lame.

- **Toujours utiliser des lames dont l'alsage central est de dimension et de forme adéquates (ruban à tranchant au diamant ou lame ronde).** Une lame incompatible avec la quincaillerie de montage de la scie tournerait en faux rond, causant la perte du contrôle.
- **Ne jamais utiliser de rondelles ou boulons de lame incorrects ou endommagés.** Les rondelles et boulons de lame fournis sont conçus spécialement pour assurer l'efficacité et la sécurité maximale de votre scie.

Autres consignes de sécurité pour toutes les scies

Causes de rebond et avertissements associés

- Le rebond est une réaction soudaine, causée par une lame coincée, bloquée ou mal alignée et projetant la scie hors de la pièce coupée vers le haut, en direction de l'opérateur.
- Lorsque la lame est pincée ou bloquée par la fermeture du trait de coupe, elle se bloque et la force du moteur projette la scie en direction de l'opérateur.
- Si la lame dévie dans le trait de coupe, les dents de l'arrière risquent de mordre la surface de la planche, causant la projection de la lame hors du bois, en direction de l'opérateur.

Le rebond est causé par une mauvaise utilisation de la scie et/ou des méthodes de travail incorrectes et il peut être évité en prenant les précautions suivantes :

- **Maintenir fermement la scie avec les deux mains et placer vos bras de manière à résister aux rebonds. Placer le corps d'un côté ou de l'autre de la lame, et non dans la ligne de coupe.** Un rebond pourrait faire sauter la lame en arrière, mais les rebonds peuvent être contrôlés par l'opérateur si des précautions appropriées sont prises.
- **Si la lame se bloque ou si la coupe est interrompue pour une raison quelconque, relâcher la gâchette et maintenir la lame dans le trait de coupe jusqu'à ce qu'elle ait complètement cessé de tourner. Pour éviter un rebond, ne jamais essayer de retirer la scie de la pièce ou de la tirer en arrière pendant que la lame est en rotation.** Déterminer et éliminer la cause du blocage de la lame.
- **Avant de remettre la scie en marche lorsqu'elle est engagée dans le bois, centrer la lame dans le trait de scie et s'assurer que les dents ne mordent pas dans le bois.** Si la lame est bloquée, elle peut causer un rebond et l'éjection du trait de coupe lorsque la scie est remise en marche.
- **Soutenir les planches de grande taille afin d'éviter les risques de pincement et de rebond de la lame.** Les planches longue ont tendance à ployer sous leur propre poids. Des supports doivent être placés sous la planche, de chaque côté, près du trait de coupe et du bord de la planche.
- **Ne pas utiliser de lames émoussées ou endommagées.** Une lame émoussée ou incorrectement réglée produit un trait de scie étroit, causant le pincement de la lame et le rebond.
- **Les leviers de réglage de profondeur et d'angle de coupe doivent être fermement serrés et assujettis avant de commencer la coupe.** Si la lame se dérègle en cours de coupe, elle peut se bloquer et causer un rebond.

•Redoubler de prudence lors du sciage dans des cloisons existantes ou d'autres endroits sans visibilité arrière. La lame peut heurter des objets ou matériaux causant un rebond.

Fonction de la garde inférieure

•Avant chaque utilisation, s'assurer que la garde inférieure se ferme correctement. Ne pas utiliser la scie si la garde inférieure ne fonctionne pas librement ou ne se ferme pas instantanément. Ne jamais bloquer la garde inférieure en position ouverte. En cas de chute accidentelle de la scie, la garde inférieure peut se déformer. Relever la garde inférieure avec la poignée de rétraction et vérifier qu'elle fonctionne librement et ne touche ni la lame, ni aucune autre pièce, quelle que soit l'angle ou la profondeur de coupe.

•Vérifier le fonctionnement du ressort de la garde inférieure. Tout problème de fonctionnement de la garde et du ressort doit être corrigé avant d'utiliser la scie. Les pièces endommagées, les résidus gommeux et les accumulations de débris peuvent ralentir le fonctionnement de la garde inférieure.

•La garde inférieure ne doit être rétractée manuellement que pour les coupes spéciales telles que les « coupes en plongée » et les « coupes composées ». Relever la garde inférieure en rétractant la poignée et dès que la lame pénètre dans le matériau; la garde inférieure doit aussi être relâchée. Pour tous les autres types de coupe, la garde doit fonctionner automatiquement.

•Toujours s'assurer que la garde inférieure couvre la lame avant de poser la scie sur le sol ou un établi. Une lame non protégée tournant en roue libre causerait un mouvement en arrière de la scie, qui couperait tout ce qui se trouve sur son passage. Tenir compte du temps nécessaire à l'arrêt complet de la lame une fois que la gâchette est relâchée.

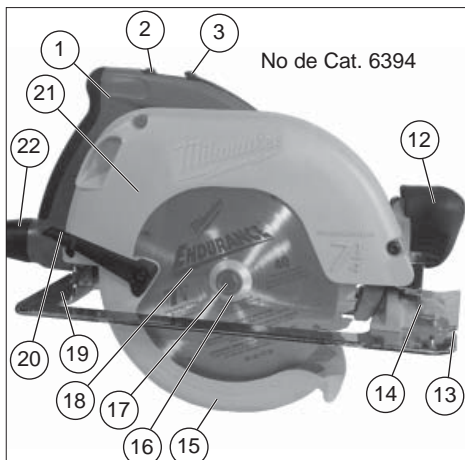
•Maintenir en l'état les étiquettes et les plaques d'identification. Des informations importantes y figurent. Si elles sont illisibles ou manquantes, contacter un centre de services et d'entretien MILWAUKEE pour un remplacement gratuit.

•AVERTISSEMENT Certaines poussières générées par les activités de ponçage, de coupe, de rectification, de perçage et d'autres activités de construction contiennent des substances considérées être la cause de malformations congénitales et de troubles de l'appareil reproducteur. Parmi ces substances figurent:

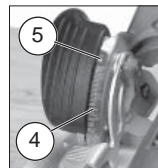
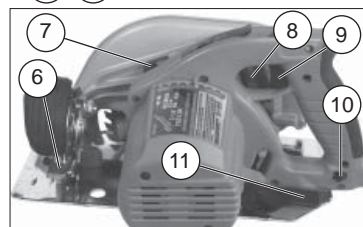
- le plomb contenu dans les peintures à base de plomb
- la silice cristalline des briques, du ciment et d'autres matériaux de maçonnerie, ainsi que
- l'arsenic et le chrome des sciages traités chimiquement.

Les risques encourus par l'opérateur envers ces expositions varient en fonction de la fréquence de ce type de travail. Pour réduire l'exposition à ces substances chimiques, l'opérateur doit : travailler dans une zone bien ventilée et porter l'équipement de sécurité approprié, tel qu'un masque anti-poussière spécialement conçu pour filtrer les particules microscopiques.

DESCRIPTION FONCTIONNELLE



No de Cat. 6394



1. Poignée Tilt-Lok™
2. Bouton de déclenchement du levier de la poignée
3. Levier de déclenchement de la poignée
4. Échelle du biseau
5. Pointeur du biseau
6. Levier de réglage du biseau
7. Bouton de verrouillage de la broche
8. Jauge de réglage de la profondeur (non illustrée)
9. Détente
10. Bouton de dégagement du cordon (No de cat. 6394 seul.)
11. Levier régleur de profondeur
12. Poignée avant
13. Ligne de vue
14. Guide de coupe
15. Garde-lame inférieur
16. Rebord de la lame
17. Boulon de lame
18. Lame
19. Semelle
20. Levier du garde-lame inférieur
21. Garde-lame supérieur
22. Cordon à verrou Positive-Lok® (No de cat. 6394 seul.)

SPÉCIFICATIONS

Cat. No.	Volts	T/Min. à vide	Calibre de lame	Arbre	Profondeur de coupe à 90°	Profondeur de coupe à 45°
6390-20	120 CA/CD	6 300	184 mm (7-1/4")	16 mm (5/8")	0 à 63 mm (0 à 2-15/32")	0 à 46 mm (0 à 1-13/16")
6394	120 CA Seul	6 300	184 mm (7-1/4")	16 mm (5/8")	0 à 63 mm (0 à 2-15/32")	0 à 46 mm (0 à 1-13/16")

CORDONS DE RALLONGE

Si l'emploi d'un cordon de rallonge est nécessaire, un cordon à trois fils doit être employé pour les outils mis à la terre. Pour les outils à double isolation, on peut employer indifféremment un cordon de rallonge à deux ou trois fils. Plus la longueur du cordon entre l'outil et la prise de courant est grande, plus le calibre du cordon doit être élevé. L'utilisation d'un cordon de rallonge incorrectement calibré entraîne une chute de voltage résultant en une perte de puissance qui risque de détériorer l'outil. Reportez-vous au tableau ci-contre pour déterminer le calibre minimum du cordon. Moins le calibre du fil est élevé, plus sa conductivité est bonne. Par exemple, un cordon de calibre 14 a une meilleure conductivité qu'un cordon de calibre 16. Lorsque vous utilisez plus d'une rallonge pour couvrir la distance, assurez-vous que chaque cordon possède le calibre minimum requis. Si vous utilisez un seul cordon pour brancher plusieurs outils, additionnez le chiffre d'intensité (ampères) inscrit sur la fiche signalétique de chaque outil pour obtenir le calibre minimal requis pour le cordon.

Directives pour l'emploi des cordons de rallonge

- Si vous utilisez une rallonge à l'extérieur, assurez-vous qu'elle est marquée des sigles « W-A » (« W » au Canada) indiquant qu'elle est adéquate pour usage extérieur.
- Assurez-vous que le cordon de rallonge est correctement câblé et en bonne condition. Remplacez tout cordon de rallonge détérioré ou faites-le remettre en état par une personne compétente avant de vous en servir.
- Tenez votre cordon de rallonge à l'écart des objets rattachés, des sources de grande chaleur et des endroits humides ou mouillés.

Calibres minimaux recommandés pour les cordons de rallonge*

Fiche signalétique Ampères	Longueur du cordon de rallonge (m)					
	7,6	12,2	22,8	30,4	45,7	60,9
0 - 5,0	16	16	16	14	12	12
5,1 - 8,0	16	16	14	12	10	--
8,1 - 12,0	14	14	12	10	--	--
12,1 - 15,0	12	12	10	10	--	--
15,1 - 20,0	10	10	10	--	--	--

* Basé sur sur une chute de voltage limite de 5 volts à 150% de l'intensité moyenne de courant.

LISEZ ATTENTIVEMENT CES INSTRUCTIONS ET CONSERVEZ-LES POUR LES CONSULTER AU BESOIN.

MISE A LA TERRE

AVERTISSEMENT Si le fil de mise à la terre est incorrectement raccordé, il peut en résulter des risques de choc électrique. Si vous n'êtes pas certain que la prise dont vous vous servez est correctement mise à la terre, faites-la vérifier par un électricien. N'altérez pas la fiche du cordon de l'outil. N'enlevez pas de la fiche, la dent qui sert à la mise à la terre. N'employez pas l'outil si le cordon ou la fiche sont en mauvais état. Si tel est le cas, faites-les réparer dans un centre-service MILWAUKEE accrédité avant de vous en servir. Si la fiche du cordon ne s'adapte pas à la prise, faites remplacer la prise par un électricien.

Outils mis à la terre : Outils pourvus d'une fiche de cordon à trois dents

Les outils marqués « Mise à la terre requise » sont pourvus d'un cordon à trois fils dont la fiche a trois dents. La fiche du cordon doit être branchée sur une prise correctement mise à la terre (voir Figure A). De cette façon, si une défectuosité dans le circuit électrique de l'outil survient, le relais à la terre fournira un conducteur à faible résistance pour décharger le courant et protéger l'utilisateur contre les risques de choc électrique.

La dent de mise à la terre de la fiche est reliée au système de mise à la terre de l'outil via le fil vert du cordon. Le fil vert du cordon doit être le seul fil raccordé à un bout au système de mise à la terre de l'outil et son autre extrémité ne doit jamais être raccordée à une borne sous tension électrique.

Votre outil doit être branché sur une prise appropriée, correctement installée et mise à la terre conformément aux codes et ordonnances en vigueur. La fiche du cordon et la prise de courant doivent être semblables à celles de la Figure A.

Fig. A



Outils à double isolation : Outils pourvus d'une fiche de cordon à deux dents

Les outils marqués « Double Isolation » n'ont pas besoin d'être raccordés à la terre. Ils sont pourvus d'une double isolation conforme aux exigences de l'OSHA et satisfait aux normes de l'Underwriters Laboratories, Inc., de l'Association canadienne de normalisation (ACNOR) et du « National Electrical Code » (code national de l'électricité). Les outils à double isolation peuvent être branchés sur n'importe laquelle des prises à 120 volt illustrées ci-contre Figure B et C.



Fig. B Fig. C

PICTOGRAPHIE

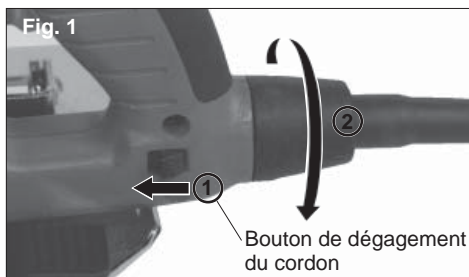
	Double Insolation
	Volts
	Tensio CA et CD
	Tension CA seul.
	Ampères
n_0 xxx x min. ⁻¹	Tours-minute à vide (RPM)
	Underwriters Laboratories, Inc., États-Unis et Canada

MONTAGE DE L'OUTIL

AVERTISSEMENT Pour réduire les risques de blessures, débranchez toujours l'outil avant d'y effectuer des réglages, d'y attacher ou d'en enlever les accessoires. L'usage d'accessoires autres que ceux qui sont spécifiquement recommandés pour cet outil peut comporter des risques. Tout autre type d'accessoire pourrait être dangereux.

Retrait et remplacement du cordon à verrou Positive-Lok® No de Cat. 6394

Le cordon Positive-Lok® exclusif à MILWAUKEE est facile à changer ou remplacer sur place. Le verrou Positive-Lok® maintient fermement le cordon fixé à l'outil.



1. Pour retirer le cordon à verrou Positive-Lok®, poussez le bouton de dégageage à la position indiquée et faites tourner le noeud du cordon 1/4 de tour vers la gauche, puis retirez le cordon.

2. Pour installer le cordon à verrou Positive-Lok®, alignez la rainure et la clavette du connecteur et du logement et poussez le connecteur à fond dans le logement de l'outil. Tournez le cordon 1/4 de tour à droite et le bouton de dégageage va s'enclencher en position de verrouillage.

AVERTISSEMENT Utiliser uniquement des accessoires dotés d'une cote de vitesse maximale qui est au moins égale à la vitesse de rotation (en r/min) inscrite sur la plaque signalétique de l'outil.

Choix d'une lame

Choisissez une lame adaptée à votre application. Reportez-vous à la section « Accessoires » pour une liste des lames à utiliser dans les applications correctes de cet outil.

Utilisez toujours des lames bien affûtées. Les lames émoussées tendent à surcharger l'outil et à accroître les risques de REÇUL. N'utilisez que des lames à saignée étroite dont la vitesse maximum admissible est supérieure à la vitesse à vide indiquée sur la plaque signalétique de l'outil. Lisez les directives du fabricant de la lame avant de l'utiliser. N'utilisez aucun type de meule à tronçonner ou de disque diamant pour tronçonnage à sec. Utilisez le type de lame approprié à la tâche. L'utilisation d'une lame incorrecte risque de réduire le rendement ou d'endommager la lame. N'utilisez pas de lames fêlées ni de lames dont des dents sont cassées. N'affûtez pas les lames pour métaux ferreux; suivez les conseils d'affûtage du fabricant de la lame.

Fig. 2

Découpage et coupe transversale
Une lame à usages multiples pour le découpage, la coupe transversale et l'assemblage en onglet des bois durs, des bois mous, du contreplaqué et des matériaux composites.

Charpentage et découpage
Conçue pour un découper rapide et précis le long du grain dans les bois durs ou mous, là où un coupe transversale n'est pas nécessaire.

Contreplaqué et placage
Recommandée pour la coupe du contreplaqué, des matériaux composites et de tous les types de bois exigeant un fini plus lisse.

Finition et garniture
Conçue spécialement pour la coupe transversale et l'assemblage en onglet lorsqu'une coupe très lisse est requise. Coupe également l'aluminium.

Vérification du fonctionnement du protecteur inférieur

Vérifiez le fonctionnement et l'état du ressort du levier protecteur. Si le protecteur et le levier ne fonctionnent pas correctement, vous devez les réparer avant d'utiliser la scie. Il peut arriver que le protecteur inférieur fonctionne lentement à cause de la présence de pièces endommagées, d'un encrassement ou d'une accumulation de débris.

1. Débranchez l'outil avant de vérifier le protecteur inférieur.
2. Placez l'outil sur le côté.

N.B. : Si l'outil n'est pas placé sur le côté, cette

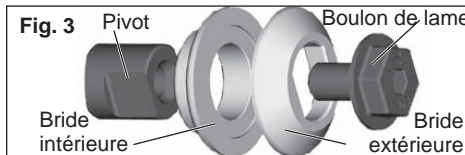
méthode n'indique pas si le protecteur inférieur fonctionne correctement.

3. Saisissez le protecteur inférieur par les côtés et poussez-le sur toute sa course dans le logement de la lame.
4. Relâchez le protecteur inférieur.
 - Si le protecteur revient immédiatement à sa position d'origine, il fonctionne correctement et vous pouvez continuer à l'utiliser.
 - Si le protecteur ne revient pas immédiatement à sa position d'origine, nettoyez les protecteurs supérieur et inférieur afin d'éliminer la sciure et les débris. Vérifiez de nouveau son fonctionnement en reprenant l'étape 1.
 - Si le protecteur ne fonctionne toujours pas, contactez un centre de service MILWAUKEE pour le faire réparer.

Installation et retrait de la lame

1. Débranchez l'outil pour installer ou retirer la lame.
2. Placez la scie sur une surface plate, la lame vers le haut. Pendant que vous maintenez le bouton de verrouillage à fond, dévissez (sens inverse-horaire) le boulon du pivot à l'aide de la clé de qui accompagne l'outil. Retirez l'écrou ainsi que le rebord de la lame.
3. Relevez le garde-lame inférieur en poussant le levier vers le haut. Retirez la lame du pivot. Débarrassez toujours le pivot, le garde-lame supérieur et le garde-lame inférieur de la saleté et du bran de scié.

N.B. : N'enlevez pas la bride intérieure de lame. Le plus grand diamètre de la bride intérieure doit appuyer sur la lame (Fig. 3).



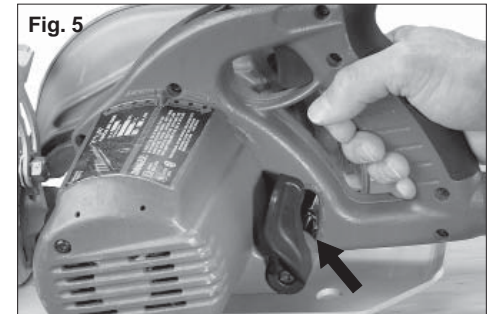
4. Pour installer une lame, placez la lame sur le pivot, les dents pointant dans la même direction que la flèche sur le garde-lame inférieur (Fig. 4). Abaissez le garde-lame inférieur.



5. Installez la bride extérieure y rebord de la lame sur le montant et resserrez l'écrou manuellement. Le plus grand diamètre de la bride extérieure doit appuyer sur la lame (Fig. 3).
6. Serrez le boulon à fond à l'aide de la clé de pendant que vous retenez le pivot avec le bouton de verrouillage.

Réglage de profondeur

1. Débranchez l'outil.
2. Afin de régler la profondeur de la coupe, tenez la scie par la poignée Tilt-Lok™ et libérez le levier de réglage de la profondeur en le soulevant et en l'éloignant du patin (Fig. 5).



3. Faites monter ou descendre le patin jusqu'à ce qu'il se trouve à la position désirée. Des graduations inscrites tout les 6 mm (1/4") sur la partie intérieure du dispositif de sécurité supérieur, vous permettent de régler la profondeur. Pour régler correctement la profondeur, la lame ne doit pas dépasser de plus de 6 mm (1/4") du matériau coupé (Fig. 6).



4. Faites pivoter le levier de réglage de la profondeur vers le patin puis poussez le vers le bas afin de le bloquer.

Vis de réglage de biseau

1. Débranchez l'outil.
2. Afin de régler l'angle de la coupe, tenez la scie par la poignée Tilt-lok™ et libérez le levier de réglage du biseau en le soulevant et en le rapprochant de la lame (Fig. 7).



- Empoignez le levier avant, puis faites pivoter la scie jusqu'à l'angle défini par les graduations de l'échelle du biseau, tout en la tenant par la poignée Tilt-Lok™ (Fig. 8).

Fig. 8



- Écartez le levier réglage de profondeur de la lame et abaissez le p pour maintenir la scie à la position désirée.

Réglage de l'angle de la poignée Tilt-Lok™

Cette scie circulaire est munie d'une poignée réglable. Grâce au dispositif Tilt-Lok™, l'utilisateur peut régler la scie afin d'obtenir des angles d'attaque optimum.

- Débranchez l'outil.
- Appuyez sur le bouton de déclenchement du levier de la poignée et maintenez-le enfoncé.
- Libérez le levier de déclenchement de la poignée en le soulevant et en l'éloignant de la poignée Tilt-Lok™.
- Afin de régler la position de la poignée Tilt-Lok™, empoignez la poignée avant et faites pivoter la poignée Tilt-Lok™ jusqu'à ce que vous ayez atteint l'angle défini par les graduations de réglage (Fig. 9). Le dispositif Tilt-Lok™ est équipé de huit (8) crans de positionnement instantanés. Laissez les cliquets se mettre en place tout seuls.

Fig. 9



NB : Les options de positionnement de la poignée Tilt-Lok™ varient selon le réglage de la profondeur. Si vous désirez obtenir de plus amples informations, consultez la section « Réglage de la profondeur ».

- Appuyez sur le levier de verrouillage jusqu'à ce qu'il se remette automatiquement en place dans la poignée.

AVERTISSEMENT N'utilisez pas la scie lorsque le bouton de déclenchement de la poignée est enfoncé ou lorsque la poignée n'est pas verrouillée.

NB : La scie ne fonctionnera pas si le levier de déclenchement de la poignée n'est pas bloqué.

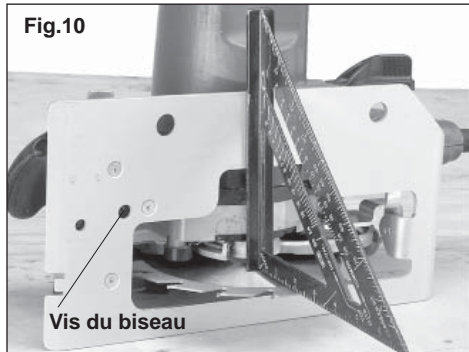
AVERTISSEMENT Si la poignée « Tilt Lok™ » peut être déplacée alors que le levier est en position de verrouillage, n'utilisez pas la scie. Envoyez immédiatement la scie circulaire à un centre-service MILWAUKEE pour la faire réparer.

Comment fixer la lame sur le patin

Le patin a été réglé sur 90 degrés en usine. Vérifiez régulièrement la lame pour vous assurer qu'elle se trouve à un angle de 90 degrés par rapport au patin.

- Débranchez l'outil.
- Régalez le pointeur du biseau sur zéro.
- Afin de vous assurer que la lame est à 90° par rapport au patin : placez la scie du côté de la lame, escamotez le dispositif de protection inférieur et vérifiez le degré de l'angle à l'aide d'une équerre posée entre la lame et le patin (Fig. 10).

Fig.10



- Afin de régler l'angle, libérez le levier de réglage du biseau en le soulevant et en le rapprochant de la lame. Réglez la vis du biseau jusqu'à ce que la lame soit à un angle de 90 degrés par rapport au patin.
- Assurez-vous que le pointeur du biseau est bien sur 0. Dans le cas contraire, desserrez les deux vis de la poignée avant et remettez le pointeur sur 0.

MANIEMENT

AVERTISSEMENT Pour minimiser les risques de blessures, portez des lunettes à coques latérales. Débranchez l'outil avant de changer les accessoires ou d'effectuer des réglages.

AVERTISSEMENT Pour minimiser les risques de blessures, portez des lunettes à coques latérales.

Causes de rebond et avertissements associés

- Le rebond est une réaction soudaine, causée par une lame coincée, bloquée ou mal alignée et projetant la scie hors de la pièce coupée vers le haut, en direction de l'opérateur.
- Lorsque la lame est pincée ou bloquée par la fermeture du trait de coupe, elle se bloque et la force du moteur projette la scie en direction de l'opérateur.
- Si la lame dévie dans le trait de coupe, les dents de l'arrière risquent de mordre la surface de la planche, causant la projection de la lame hors du bois, en direction de l'opérateur.

Le rebond est causé par une mauvaise utilisation de la scie et/ou des méthodes de travail incorrectes et il peut être évité en prenant les précautions suivantes :

- **Maintenir fermement la scie avec les deux mains et placer vos bras de manière à résister aux rebonds. Placer le corps d'un côté ou de l'autre de la lame, et non dans la ligne de coupe.** Un rebond pourrait faire sauter la lame en arrière, mais les rebonds peuvent être contrôlés par l'opérateur si des précautions appropriées sont prises.
- **Si la lame se bloque ou si la coupe est interrompue pour une raison quelconque, relâcher la gâchette et maintenir la lame dans le trait de coupe jusqu'à ce qu'elle ait complètement cessé de tourner. Pour éviter un rebond, ne jamais essayer de retirer la scie de la pièce ou de la tirer en arrière pendant que la lame est en rotation.** Déterminer et éliminer la cause du blocage de la lame.
- **Avant de remettre la scie en marche lorsqu'elle est engagée dans le bois, centrer la lame dans le trait de scie et s'assurer que les dents ne mordent pas dans le bois.** Si la lame est bloquée, elle peut causer un rebond et l'éjection du trait de coupe lorsque la scie est remise en marche.
- **Soutenir les planches de grande taille afin d'éviter les risques de pincement et de rebond de la lame.** Les planches longue ont tendance à ployer sous leur propre poids. Des supports doivent être placés sous la planche, de chaque côté, près du trait de coupe et du bord de la planche.
- **Ne pas utiliser de lames émoussées ou endommagées.** Une lame émoussée ou incorrectement réglée produit un trait de scie étroit, causant le pincement de la lame et le rebond.

- **Les leviers de réglage de profondeur et d'angle de coupe doivent être fermement serrés et assujettis avant de commencer la coupe.** Si la lame se dérègle en cours de coupe, elle peut se bloquer et causer un rebond.
- **Redoubler de prudence lors du sciage dans des cloisons existantes ou d'autres endroits sans visibilité arrière.** La lame peut heurter des objets ou matériaux causant un rebond.

Règles générales d'opération

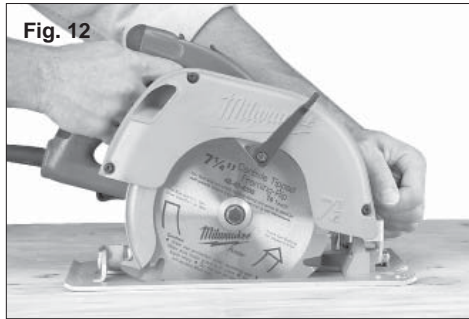
Fixez solidement le matériau sur un chevalet ou un banc. Voir « Applications » pour connaître la bonne façon d'appuyer la pièce à ouvrir selon la situation. Regardez l'exemple d'application ci-dessous (Fig. 11).

Fig. 11



- Tracez une ligne de coupe. Placez le devant de la semelle de la scie sur le bord de la pièce sans qu'il y ait contact avec la lame. Maintenez la poignée Tilt-Lok™ d'une main et la poignée avant de l'autre (Fig. 12).

Fig. 12



- Alignez la ligne de vue avec la ligne de coupe. Mettez les bras et le corps en position de résister au mouvement de RECUL. Appuyez sur la détente et laissez le moteur atteindre son plein régime avant d'entamer la coupe.
- Durant la coupe, gardez la semelle de l'outil à plat sur le matériau et conservez une bonne emprise. Ne forcez pas l'outil en avant pour éviter de provoquer un mouvement de RECUL.
- Lorsque vous effectuez une coupe partielle, que vous recommencez à mi-coupe ou changez de direction, laissez la lame s'arrêter complètement avant de reprendre. Pour reprendre la coupe, centrez la lame dans l'entaille, reculez la scie de quelques pouces et appuyez sur la détente pour réengager lentement la lame.
- Si la lame reste coincée, gardez une bonne prise et relâchez immédiatement la détente. Maintenez la scie immobile dans le trait de scie jusqu'à ce que la lame s'arrête complètement.
- Lorsque la coupe est terminée, assurez-vous que le garde-lame inférieur se referme et que la lame s'arrête complètement avant de poser la scie.

Frein Électronique (No de cat. 6394)

Modèles spécifiques est pourvu d'un frein électronique. Le frein arrête la lame dès que vous relâchez la détente et vous permet de poursuivre votre travail. La lame s'arrête généralement en deux secondes. Cependant, il peut y avoir un délai entre le moment où vous relâchez la détente et l'application du frein. Occasionnellement, le frein peut manquer. Si le frein manque fréquemment, faites vérifier la scie à un centre-service MILWAUKEE accrédité. Le frein n'est pas un substitut du garde-lame. Vous devez donc attendre que la lame soit complètement arrêtée avant de retirer la scie de l'entaille. Pour que le frein fonctionne correctement, il faut employer des balais de qualité appropriée. Lorsque vous procédez à la remise en état de l'outil, n'employez que les balais de rechange MILWAUKEE.

Dépistage des dérangements

Si la lame ne suit pas une ligne droite :

- Les dents sont émoussées sur un côté. Cela est causé par le contact avec des objets durs, une pierre ou un clou, qui ont usé les dents sur un côté. La lame coupe alors du côté où les dents sont intactes.
 - La semelle est hors ligne ou inclinée
 - La lame est gauchie
 - Défaut d'utiliser le guide-refente ou le guide-coupe
- Si la lame reste coincée, fume ou devient bleuie par la friction :
- Les dents sont émoussées
 - La lame est posée dans le mauvais sens
 - La lame est gauchie
 - La lame est encrassée
 - Le matériau n'est pas correctement supporté
 - Défaut d'utiliser la bonne lame

APPLICATIONS

AVERTISSEMENT Pour réduire les risques d'explosion, de chocs électriques et de dommages à la propriété, vérifiez toujours que la zone de travail ne contient pas de tuyaux ou de câbles cachés avant de commencer à percer.

Sélection des différentes positions de la poignée Tilt-lok™

Grâce aux réglages de la poignée Tilt-Lok™, l'utilisateur peut obtenir des angles d'attaque optimum. Elle est équipée de huit (8) crans de positionnement rapide. Consultez la section intitulée « Réglage de la poignée Tilt-lok™ » pour obtenir de plus amples informations sur son utilisation. Le tableau suivant vous indique différentes positions d'utilisation de la poignée.

Utilisation	Positions de la Poignée Tilt-Lok™ Suggérées
Pour les coupes effectuées au niveau ou près de la taille.	Lorsque la poignée est en position basse l'utilisateur peut exercer une pression plus forte lors de la coupe.
Pour les coupes minces effectuées au niveau ou près de la taille.	Lorsque la poignée est en position basse, l'utilisateur peut exercer une pression descendante plus forte lors d'une coupe peu profonde et un meilleur contrôle de la scie.
Pour les coupes effectuées en dessous du niveau de la taille, par terre par exemple.	Lorsque la poignée est en position haute, l'utilisateur n'est pas obligé de se « pencher » autant et il peut exercer une pression descendante plus forte.
Pour les coupes effectuées au dessus de la tête, au plafond par exemple.	Lorsque la poignée est en position haute, l'utilisateur peut effectuer des coupes au dessus du niveau de la tête sans avoir à tendre autant le bras. Une telle position permet aussi d'exercer une pression plus forte vers le haut.

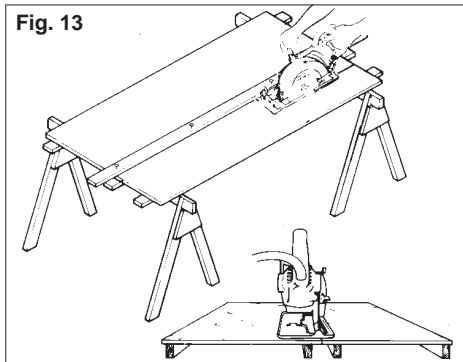
* Ces conseils ne sont que des suggestions ; la position de coupe optimale dépend en fait de l'utilisation de la scie et des préférences de l'utilisateur.

Coupe des grands panneaux

Les grands panneaux et les planches longues s'affaissent et se plient s'ils ne sont pas correctement supportés. Si vous essayez de les couper sans les placer de niveau sur un appui, la lame de la scie aura tendance à se coincer, ce qui provoquera un mouvement de recul de la scie.

Appuyez les panneaux tel qu'indiqué. Assurez-vous de régler la profondeur de coupe pour ne tailler qu'à travers le matériau et non à travers les appuis.

Fig. 13



Refente du bois

Refendre, c'est tailler le long du grain du bois. Choisissez une lame appropriée à la tâche. Servez-vous d'un guide de refente pour les coupes de 102 mm (4") de largeur ou moins. Pour installer le guide de refente, glissez la tige du guide dans l'une des rainures pratiquées sur chaque côté de la semelle de la scie. La largeur de la coupe est la distance entre l'intérieur de la lame et le bord intérieur de l'extrémité du guide, tel qu'indiqué. Réglez le guide à la largeur désirée et fixez le réglage en serrant les boulons du guide de refente.

Lorsque vous effectuez une refente plus large que 102 mm (4"), clouez une planche de 25 mm (1") (sur le matériau et servez-vous en pour guider le bord intérieur de la semelle durant la coupe.

Coupe transversale du bois

Une coupe transversale est une coupe à travers le grain du bois. Choisissez une lame appropriée à la tâche. Avancez la scie lentement pour éviter de déchirer ou d'arracher les fibres du bois.

Fig. 14



AVERTISSEMENT Avant d'entamer une coupe en plongée, afin de réduire le risque de choc électrique, inspectez l'aire de coupe, pour en déceler les conduits et les fils électriques.

Coupe borgne

Une coupe borgne est une coupe effectuée pour pratiquer une ouverture au milieu d'un matériau lorsqu'il est impossible de commencer la coupe au bord. Nous recommandons l'emploi d'un passe-partout Sawzall® ou d'une scie sauteuse pour ce genre de coupe. Toutefois, si vous êtes dans l'obligation d'employer une scie circulaire, SOYEZ PRUDENT. Afin de pouvoir contrôler la scie durant une coupe borgne, maintenez la avec deux mains (Fig. 15).

- En commençant à un angle, alignez le guide-

Fig. 15



coupe sur la ligne de coupe. Inclinez la scie en avant en appuyant fermement le devant de la semelle sur le matériau. La lame devrait être directement au-dessus de la ligne de coupe mais sans toucher au matériau. Relevez le garde-lame inférieur à l'aide du levier du garde-lame inférieur.

- Appuyez sur la détente et laissez la lame atteindre son plein régime. En vous servant du devant de la semelle comme point d'appui, abaissez graduellement l'arrière de la scie pour que la lame s'enfonce dans le matériau.
- Lorsque la semelle est à plat sur le matériau, relâchez le levier du garde-lame inférieur. Avancez la scie jusqu'à l'angle de la ligne de coupe. Relâchez la détente et laissez la lame s'arrêter complètement avant de la retirer de l'entaille. Répétez le procédé pour tailler chacun des côtés de l'ouverture. Utilisez un passe-partout Sawzall®, une scie sauteuse ou une petite scie à main pour finir la coupe dans les coins, si nécessaire.

Coupe de la maçonnerie et du métal

AVERTISSEMENT La poussière, les copeaux et les grains peuvent bloquer la protection dans une position ouverte en tout temps. Si la scie doit servir à couper des matériaux de maçonnerie ou du métal, la réserver uniquement pour ce type d'opération et la retourner au centre d'entretien de MILWAUKEE afin de la faire nettoyer et de la tester avant de l'utiliser pour couper du bois.

AVERTISSEMENT Utiliser uniquement des accessoires dotés d'une cote de vitesse maximale qui est au moins égale à la vitesse de rotation (en r/min) inscrite sur la plaque signalétique de l'outil.

Pour couper des matériaux de maçonnerie, utiliser une lame de diamant. Faire des cannelures successives d'une profondeur de moins de 6 mm (1/4 po) afin d'obtenir la profondeur désirée. Si la profondeur de coupe dépasse 6 mm (1/4 po), la meule sera endommagée. Débrancher l'outil et enlever fréquemment la poussière des événements d'aération et des protège-lame.

AVERTISSEMENT Ne pas utiliser l'outil pour couper du métal à proximité de matériaux inflammables. Les étincelles peuvent provoquer un incendie.

Pour couper du métal, utiliser une lame pour coupe de métal. Régler la profondeur de coupe au maximum. S'assurer que toutes les personnes se trouvant à proximité sont à l'abri des étincelles.

ACCESOIRES

AVERTISSEMENT Débranchez toujours l'outil avant de changer ou d'enlever les accessoires. L'utilisation d'autres accessoires que ceux qui sont spécifiquement recommandés pour cet outil peut comporter des risques.

Pour une liste complète des accessoires, prière de se reporter au catalogue MILWAUKEE Electric Tool ou visiter le site internet www.milwaukeetool.com. Pour obtenir un catalogue, il suffit de contacter votre distributeur local ou l'un des centres-service.

ENTRETIEN

AVERTISSEMENT Pour minimiser les risques de blessures, débranchez toujours l'outil avant d'y effectuer des travaux de maintenance. Ne faites pas vous-même le démontage de l'outil ni le rebobinage du système électrique. Consultez un centre de service MILWAUKEE accrédité pour toutes les réparations.

Entretien de l'outil

Gardez l'outil en bon état en adoptant un programme d'entretien ponctuel. Avant de vous en servir, examinez son état en général. Inspectez-en la garde, interrupteur, cordon et cordon de rallonge pour en déceler les défauts. Vérifiez le serrage des vis, l'alignement et le jeu des pièces mobiles, les vices de montage, bris de pièces et toute autre condition pouvant en rendre le fonctionnement dangereux. Si un bruit ou une vibration insolite survient, arrêtez immédiatement l'outil et faites-le vérifier avant de vous en servir de nouveau. N'utilisez pas un outil défectueux. Fixez-y une étiquette marquée « HORS D'USAGE » jusqu'à ce qu'il soit réparé (voir « Réparations »).

Normalement, il ne sera pas nécessaire de lubrifier l'outil avant que le temps ne soit venu de remplacer les balais. Après une période pouvant aller de 6 mois à un an, selon l'usage, retournez votre outil à un centre de service MILWAUKEE accrédité pour obtenir les services suivants :

- Lubrification
- Inspection et remplacement des balais
- Inspection et nettoyage de la mécanique (engrenages, pivots, coussinets, boîtier etc.)
- Inspection électrique (interrupteur, cordon, induit etc.)
- Vérification du fonctionnement électromécanique

AVERTISSEMENT Pour minimiser les risques de blessures, choc électrique et dommage à l'outil, n'immergez jamais l'outil et ne laissez pas de liquide s'y infiltrer.

Nettoyage

Débarrassez les événements des débris et de la poussière. Gardez les poignées de l'outil propres, à sec et exemptes d'huile ou de graisse. Le nettoyage de l'outil doit se faire avec un linge humide et un savon doux. Certains nettoyants tels l'essence, la térébenthine, les diluants à laque ou à peinture, les solvants chlorés, l'ammoniaque et les détergents d'usage domestique qui en contiennent pourraient détériorer le plastique et l'isolation des pièces. Ne laissez jamais de solvants inflammables ou combustibles auprès des outils.

Réparations

Si votre outil est endommagé, retourne l'outil entier au centre de maintenance le plus proche.

GARANTIE LIMITÉE - AUX ÉTATS-UNIS ET AU CANADA

Chaque outil électrique MILWAUKEE (y compris les produits sans fil [outils, piles, chargeur de piles, lampe de travail]; consulter les énoncés de la GARANTIE LIMITÉE DES BLOCS-PILES SANS FIL) est garanti à l'acheteur d'origine être exempt de vice de matériau et de fabrication. Sous réserve de certaines exceptions, MILWAUKEE réparera ou remplacera toute pièce d'un outil électrique qui, après examen par MILWAUKEE, s'est avérée être affectée d'un vice de matériau ou de fabrication pendant une période de cinq (5) ans* après la date d'achat, sauf indication contraire. Retourner l'outil électrique, à un centre de réparations en usine MILWAUKEE ou à un poste d'entretien agréé MILWAUKEE, en port prépayé et assuré. Une copie de la preuve d'achat doit être présentée au moment de retourner le produit. Cette garantie ne couvre pas les dommages que MILWAUKEE détermine être causés par des réparations ou des tentatives de réparation par quiconque autre que le personnel agréé par MILWAUKEE, des utilisations incorrectes, des altérations, des utilisations abusives, une usure normale, une carence d'entretien ou des accidents.

*La période de garantie applicable pour les radios de chantier, le port d'alimentation M12™, Source d'énergie M18™, et les chariots de travail industriels Trade Titan™ est d'une durée d'un (1) an à partir de la date d'achat. La période de la garantie couvrant la lampe de travail à DEL et l'ampoule améliorée à DEL est une garantie À VIE limitée à l'acheteur d'origine seulement; si, lors d'une utilisation normale, l'ampoule à DEL présente une défectuosité, la lampe de travail et l'ampoule seront remplacées sans frais.

*Cette garantie ne s'applique pas aux cloueuses-agrafeuses pneumatiques, aux pulvérisateurs à peinture sans air, aux blocs piles pour outils sans fil, aux génératrices d'alimentation portatives à essence, aux outils à main, aux monte-charge – électrique, à levier et à chaîne (manuel), aux vestes chauffantes M12™, aux produits résinés, ni aux produits d'essai et de mesure. Il existe des garanties distinctes pour ces produits.

L'enregistrement de la garantie n'est pas nécessaire pour bénéficier de la garantie en vigueur sur un outil électrique MILWAUKEE. La date de fabrication du produit servira à établir la période de garantie si aucune preuve d'achat n'est fournie lorsqu'une demande de service sous garantie est présentée.

L'ACCEPTATION DES RECOURS EXCLUSIFS DE RÉPARATION ET DE REMPLACEMENT DÉCRITS AUX PRÉSENTS EST UNE CONDITION DU CONTRAT D'ACHAT DE TOUT PRODUIT MILWAUKEE. SI VOUS N'ACCEPTÉZ PAS CETTE CONDITION, VOUS NE DEVEZ PAS ACHETER LE PRODUIT. EN AUCUN CAS MILWAUKEE NE SAURAIT ÊTRE RESPONSABLE DE TOUT DOMMAGE ACCESSOIRE, SPÉCIAL OU INDIRECT, DE DOMMAGES-INTÉRÊTS PUNITIFS OU DE TOUTE DÉPENSE, D'HONORAIRES D'AVOCATS, DE FRAIS, DE PERTE OU DE DÉLAIS ACCESSOIRES À TOUT DOMMAGE, DÉFAILLANCE OU DÉFAUT DE TOUT PRODUIT, Y COMPRIS NOTAMMENT LES PERTES DE PROFIT. CERTAINS ÉTATS ET PROVINCES NE PERMETTANT PAS L'EXCLUSION OU LA LIMITATION DES DOMMAGES DIRECTS OU INDIRECTS, LES RESTRICTIONS CI-DESSUS PEUVENT NE PAS ÊTRE APPLICABLES. CETTE GARANTIE EST EXCLUSIVE ET REMPLACE TOUTE AUTRE GARANTIE EXPRESSE, QU'ELLE SOIT ORALE OU ÉCRITE. DANS LA MESURE PERMISE PAR LA LOI, MILWAUKEE RENONCE À TOUTE GARANTIE IMPLICITE, Y COMPRIS, SANS S'Y LIMITER, TOUTE GARANTIE IMPLICITE DE QUALITÉ MARCHANDE OU D'ADAPTATION À UNE UTILISATION OU À UNE FIN PARTICULIÈRE. DANS LA MESURE OÙ UNE TELLE STIPULATION D'EXONÉRATION N'EST PAS PERMISE PAR LA LOI, LA DURÉE DE CES GARANTIES IMPLICITES EST LIMITÉE À LA PÉRIODE APPLICABLE DE LA GARANTIE EXPRESSE, TEL QUE DÉCRIT PRÉCÉDEMMENT. CERTAINS ÉTATS ET PROVINCES NE PERMETTANT PAS DE LIMITATION DE DURÉE DES GARANTIES IMPLICITES, LES RESTRICTIONS CI-DESSUS PEUVENT NE PAS ÊTRE APPLICABLES. LA PRÉSENTE CONFÈRE À L'UTILISATEUR DES DROITS LÉGAUX PARTICULIERS; IL BÉNÉFICIE ÉGALEMENT D'AUTRES DROITS QUI VARIENT D'UN ÉTAT À L'AUTRE.

Cette garantie s'applique aux produits vendus aux États-Unis et au Canada uniquement.

Veillez consulter la rubrique Centre SAV MILWAUKEE, dans la section Pièces & Service du site Web de MILWAUKEE, à l'adresse www.milwaukeetool.com, ou composer le 1-800-SAWDUST (1-800-729-3878) afin de trouver le centre de réparations en usine MILWAUKEE le plus près.

GARANTIE LIMITÉE – MEXIQUE, AMÉRIQUE CENTRALE ET CARAÏBES

TECHTRONIC INDUSTRIES' garantit le produit pendant cinq ans à partir de la date d'achat d'origine. Le présent bon de garantie couvre tous les vices de matériau et de fabrication qui peuvent afficher cet outil électrique. Pour assurer la validité de la présente garantie, veuillez présenter le bon de commande, estampillé du sceau du distributeur ou du magasin où le produit a été acheté, au centre de réparations agréé. Si le bon de commande n'a pas été estampillé, veuillez fournir la preuve d'achat d'origine au centre de réparations agréé. Pour un entretien, des pièces, des accessoires ou d'autres composants, composer sans frais le 1-800-832-1949 afin d'obtenir les coordonnées du centre de réparations agréé le plus près.

Procédure pour assurer la validité de la garantie

Présenter le produit au centre de réparations agréé, accompagné du bon de commande estampillé du sceau du distributeur ou du magasin où le produit a été acheté. Toute pièce défectueuse ou tout composant défectueux sera remplacé sans frais. Milwaukee assume tous les frais de transport liés à ce processus de garantie.

Exceptions

La garantie ne s'applique pas dans les situations suivantes :

- a) Si le produit a été utilisé pour une fin autre que celle indiquée dans le guide de l'utilisateur final ou le manuel d'instructions.
- b) Si les conditions d'utilisations ne sont pas habituelles.
- c) Si le produit a été modifié ou réparé par une personne non autorisée par TECHTRONIC INDUSTRIES.

Note : Si le cordon électrique est endommagé, il doit être remplacé par un centre de réparations agréé pour éviter les risques d'électrocution.

Modèle : _____

Date d'achat : _____

Sceau du distributeur ou du magasin : _____

CENTRE DE RÉPARATIONS ET DE SERVICE
Av Presidente Mazarik 29 Piso 7, 11570 Chapultepec Morales
Miguel Hidalgo, Distrito Federal, Mexico
Ph. 52 55 4160-3547

IMPORTÉ ET COMMERCIALISÉ PAR :
TECHTRONIC INDUSTRIES MEXICO, S.A. DE C.V.
Av Presidente Mazarik 29 Piso 7, 11570 Chapultepec Morales
Miguel Hidalgo, Distrito Federal, Mexico

ADVERTENCIAS DE SEGURIDAD GENERALES PARA LA HERRAMIENTA ELÉCTRICA

⚠️ ADVERTENCIA LEA TODAS LAS ADVERTENCIAS E INSTRUCCIONES DE SEGURIDAD. Si no se sigue todas las advertencias e instrucciones, se pueden provocar una descarga eléctrica, un incendio o lesiones graves. **Guarde todas las advertencias e instrucciones para consultarlas en el futuro.** El término "herramienta eléctrica" en todas las advertencias incluidas más abajo se refiere a su herramienta operada por conexión (cable) a la red eléctrica o por medio de una batería (inalámbrica).

SEGURIDAD EN EL ÁREA DE TRABAJO

- **Mantenga limpia y bien iluminada el área de trabajo.** Las áreas desordenadas u oscuras contribuyen a que se produzcan accidentes.
- **No utilice herramientas eléctricas en atmósferas explosivas, como en la presencia de líquidos, gases o polvo inflamables.** Las herramientas eléctricas crean chispas que pueden incendiar el polvo o las emanaciones.
- **Mantenga a los niños y otras personas alejadas mientras utiliza una herramienta eléctrica.** Las distracciones pueden hacerle perder el control.

SEGURIDAD ELÉCTRICA

- **Los enchufes de las herramientas eléctricas deben ser del mismo tipo que el tomacorrientes. Nunca realice ningún tipo de modificación en el enchufe. No use enchufes adaptadores con herramientas eléctricas con conexión a tierra.** Se reducirá el riesgo de descarga eléctrica si no se modifican los enchufes y los tomacorrientes son del mismo tipo.
- **Evite el contacto corporal con superficies con conexión a tierra, como tuberías, radiadores, estufas y refrigeradores.** El riesgo de descarga eléctrica aumenta si su cuerpo está conectado a tierra.
- **No exponga la herramientas eléctricas a la lluvia o a condiciones de humedad.** El agua que entra en una herramienta eléctrica aumenta el riesgo de descarga eléctrica.
- **No abuse del cable. Nunca use el cable para transportar la herramienta eléctrica, tirar de ella o desenchufarla.** Mantenga el cable alejado del calor, los bordes afilados o las piezas en movimiento. Los cables dañados o enmarañados aumentan el riesgo de descarga eléctrica.
- **Cuando se utiliza una herramienta eléctrica en el exterior, use una extensión que sea apropiada para uso en el exterior.** El uso de un cable apropiado para el exterior reduce el riesgo de descarga eléctrica.
- **Si debe operar una herramienta eléctrica en un lugar húmedo, utilice un suministro protegido por un interruptor de circuito con conexión a tierra (GFCI).** Usar un GFCI reduce el riesgo de que se produzcan descargas eléctricas.

SEGURIDAD PERSONAL

- **Manténgase alerta, ponga cuidado a lo que está haciendo y use el sentido común cuando utilice una herramienta eléctrica. No use una herramienta eléctrica cuando está cansado o bajo la influencia de drogas, alcohol o medicamentos.** Despijarse un minuto cuando se utiliza una

herramienta eléctrica puede tener como resultado lesiones personales graves.

- **Use un equipo de protección personal. Lleve siempre protección ocular.** Llevar un equipo de protección apropiado para la situación, como una máscara antipolvo, zapatos de seguridad antideslizantes, un casco o protección auditiva, reducirá las lesiones personales.
- **Evite el encendido accidental. Asegúrese de que el interruptor esté en la posición de apagado antes de conectarlo a la toma de alimentación o a la batería, al levantar o mover la herramienta.** Mover herramientas con el dedo en el interruptor o enchufarlas con el interruptor en la posición de encendido contribuye a que se produzcan accidentes.
- **Quite todas las llaves de ajuste antes de encender la herramienta.** Una llave que esté acoplada a una pieza giratoria de la herramienta puede provocar lesiones personales.
- **No se estire demasiado. Mantenga los pies bien asentados y el equilibrio en todo momento.** Esto permite tener mejor control de la herramienta eléctrica en situaciones inesperadas.
- **Vístase de manera apropiada. No lleve ropa suelta ni joyas. Mantenga el cabello, la ropa y los guantes lejos de las piezas en movimiento.** La ropa floja, las joyas o el cabello largo pueden quedar atrapados en las piezas en movimiento.
- **Si se proporcionan dispositivos para la conexión de sistemas de recolección y extracción de polvo, asegúrese de que estén conectados y se usen apropiadamente.** El uso de estos dispositivos puede reducir los peligros relacionados con el polvo.

USO Y CUIDADO DE LAS HERRAMIENTAS ELÉCTRICAS

- **No fuerce la herramienta eléctrica. Use la herramienta eléctrica correcta para la aplicación.** La herramienta eléctrica correcta funcionará mejor y de manera más segura a la velocidad para la que se diseñó.
- **No use la herramienta eléctrica si el interruptor no la enciende ni la apaga.** Cualquier herramienta eléctrica que no se pueda controlar con el interruptor es peligrosa y se debe reparar.
- **Desconecte el enchufe de la toma de alimentación y/o la batería de la herramienta eléctrica antes de realizar cualquier ajuste, cambiar accesorios o almacenar las herramientas eléctricas.** Dichas medidas preventivas de seguridad reducen el riesgo de que la herramienta se prenda accidentalmente.
- **Almacene las herramientas eléctricas fuera del alcance de los niños y no permita que**

personas no familiarizadas con ellas o estas instrucciones las utilicen. Las herramientas eléctricas son peligrosas en las manos de usuarios no capacitados.

- **Mantenimiento de las herramientas eléctricas. Revise que no haya piezas móviles que estén desalineadas o que se atasquen, piezas rotas ni ninguna otra condición que pueda afectar el funcionamiento de la herramienta eléctrica. Si se encuentran daños, haga que le reparen la herramienta antes de usarla.** Las herramientas mal mantenidas son la causa de muchos accidentes.
- **Mantenga las herramientas de corte limpias y afiladas.** Es menos probable que se atasquen las herramientas de corte con filos afilados que se mantienen de manera apropiada y también son más fáciles de controlar.
- **Use la herramienta eléctrica, los accesorios, las brocas, etc. siguiendo estas instrucciones, teniendo en cuenta las condiciones de trabajo y la tarea que se va a realizar.** El uso de la herramienta eléctrica para operaciones diferentes de aquellas para las que se diseñó podría originar una situación peligrosa.

MANTENIMIENTO

- **Haga que un técnico calificado realice el mantenimiento de la herramienta eléctrica utilizando solamente piezas de repuesto idénticas.** Esto asegurará que se mantiene la seguridad de la herramienta eléctrica.

REGLAS ESPECÍFICAS DE SEGURIDAD

Instrucciones de seguridad para todas las sierras
Procedimientos de corte

- **⚠️ PELIGRO: Mantenga las manos alejadas del área de corte y de la hoja. Mantenga la segunda mano en la empuñadura auxiliar o en la carcasa del motor.** Si ambas manos están sosteniendo la sierra, no podrán cortarse con la hoja.
- **No meta la mano debajo de la pieza de trabajo.** La guarda no puede protegerlo de la hoja que está debajo de la pieza de trabajo.
- **Ajuste la profundidad de corte al grosor de la pieza de trabajo.** Menos de un diente completo de la hoja debe ser visible debajo de la pieza de trabajo.
- **Nunca sostenga la pieza que se está cortando en las manos o sobre las piernas. Sujete la pieza de trabajo a una plataforma estable.** Es importante soportar el trabajo correctamente para minimizar la exposición del cuerpo, el amarre de la hoja o la pérdida de control.
- **Al realizar una operación donde la herramienta de corte pueda entrar en contacto con cableado oculto o su propio cable, sostenga el accesorio únicamente de las superficies de empuñadura aisladas.** El contacto con un cable que conduzca electricidad también provocará que las partes metálicas de la herramienta se electrifiquen y podría ocasionar una descarga eléctrica al operador.
- **Al hacer cortes al hilo, siempre use un topeguía para cortar al hilo o una guía de borde recto.** Esto mejora la precisión del corte y reduce la probabilidad de que la hoja se amarre.

- **Siempre use hojas del tamaño y forma correctos (diamante vs. redonda) para los orificios del eje.** Las hojas que no corresponden a los elementos de montaje de la sierra correrán excéntricamente, ocasionando pérdida de control.
- **Nunca use arandelas o pernos dañados o incorrectos.** Las arandelas y el perno de la hoja se diseñaron especialmente para su sierra, para un óptimo desempeño y seguridad de la operación.

Instrucciones de seguridad adicionales para todas las sierras

Causas del contragolpe y advertencias relacionadas

- El contragolpe es una reacción repentina a una hoja de sierra pellizcada, amarrada o mal alineada que ocasiona que la sierra se levante y se salga de la pieza de trabajo y hacia el operador de forma incontrolada;
- Cuando la hoja se pellizca o se amarra estrechamente por el cierre de la separación de corte, la hoja se para y la reacción del motor impulsa la unidad con gran rapidez hacia el operador;
- Si la hoja se tuerce o pierde la alineación en el corte, los dientes del borde trasero de la hoja pueden enterrarse en la superficie superior de la madera, ocasionando que la hoja se salga de la separación de corte y salte hacia el operador. El contragolpe es el resultado del uso incorrecto de la sierra y/o de procedimientos o condiciones de operación incorrectos y puede evitarse tomando las precauciones correspondientes que se indican a continuación.
- **Mantenga un agarre firme con ambas manos sobre la sierra y coloque los brazos para resistir las fuerzas de contragolpe. Posicione el cuerpo a cualquiera de los dos lados de la hoja, pero no en línea con la hoja.** El contragolpe podría ocasionar que la sierra saltara hacia atrás, pero las fuerzas de contragolpe pueden ser controladas por el operador si se toman las precauciones correspondientes.
- **Cuando la hoja se esté amarrando o cuando se interrumpa un corte por cualquier motivo, suelte el gatillo y sostenga la sierra inmóvil dentro del material hasta que la hoja se detenga por completo. Nunca intente retirar la sierra de la pieza ni jalarla hacia atrás mientras la hoja se encuentre aún en movimiento, pues puede producirse un contragolpe.** Investigue y siga acciones correctivas para eliminar la causa del amarre de la hoja.
- **Al reiniciar una sierra dentro de la pieza de trabajo, centre la hoja de la sierra en la separación de corte y verifique que los dientes de la sierra no estén insertados en el material.** Si la hojas de la sierra se está amarrando, puede avanzar hacia arriba o dar un contragolpe de la pieza de trabajo al reiniciarse la sierra.
- **Soporte los paneles grandes para minimizar el riesgo de que la hoja pellizque y dé un contragolpe.** Los paneles grandes tienden a pandearse con su propio peso. Deben colocarse soportes debajo del panel a ambos lados, cerca de la línea de corte y cerca del borde del panel.
- **No utilice hojas romas ni dañadas.** Las hojas sin filo o que estén incorrectamente colocadas pueden producir una separación de corte angosta,

causando fricción excesiva, amarre de la hoja y contragolpe.

• **Las palancas de ajuste de la profundidad de la hoja y bisel deben estar apretadas y firmes antes de hacer el corte.** Si el ajuste de la hoja cambia durante el corte, puede causar amarre y contragolpe.

• **Use precaución adicional al aserrar en muros existentes u otras áreas donde no haya visibilidad.** La hoja saliente puede cortar objetos que podrían causar contragolpe.

Función de guarda inferior

• **Revise que la guarda inferior cierre correctamente antes de cada uso. No opere la sierra si la guarda inferior no se mueve libremente y se cierra instantáneamente. Nunca sujete ni amarre la guarda inferior en la posición abierta.** Si la sierra se cae accidentalmente, la guarda inferior puede doblarse. Eleve la guarda inferior con la agarradera retráctil y asegúrese de que se mueva libremente y no toque la hoja ni ninguna otra parte, en todos los ángulos y profundidades de corte.

• **Verifique la operación del muelle de la guarda inferior. Si la guarda y el muelle no están operando correctamente, deben recibir servicio antes del uso.** La guarda inferior puede operar con lentitud debido a partes dañadas, depósitos de goma o una acumulación de residuos.

• **La guarda inferior debe retraerse manualmente únicamente para cortes especiales, como "cortes por penetración" y "cortes compuestos."** Eleve la guarda inferior replegando la agarradera y en cuanto la hoja entre al material, la guarda inferior debe soltarse. Para las demás operaciones de corte con sierra, la guarda inferior debe operar automáticamente.

• **Observe siempre que la guarda inferior esté cubriendo la hoja antes de colocar la sierra en el banco o en el suelo.** Una hoja sin protección en movimiento puede ocasionar que la sierra avance hacia atrás, cortando lo que esté en su camino. Tenga en cuenta el tiempo que se tarda la hoja en detenerse después de que se libera el interruptor.

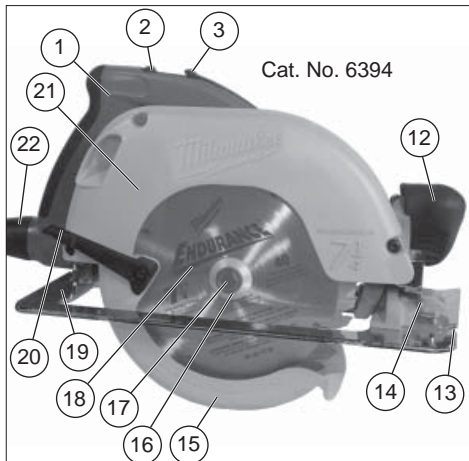
• **Mantenga las etiquetas y las placas identificativas.** Tienen información importante. Si no se pueden leer o si faltan, póngase en contacto con un centro de servicio MILWAUKEE para obtener un repuesto gratuito.

• **ADVERTENCIA** Ciertos polvos creados al lijar, serrar, esmerilar, perforar y realizar otras actividades de construcción contienen productos químicos que se sabe que causan cáncer, defectos congénitos u otros daños al aparato reproductor. Algunos ejemplos de dichos productos químicos son:

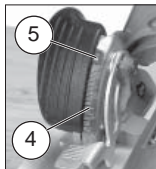
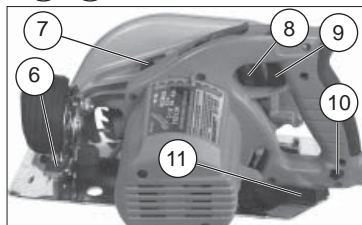
- plomo de pintura con base de plomo
- sílice cristalino de los ladrillos y cemento y de otros productos de mampostería, y
- arsénico y cromo de madera tratada químicamente.

Su riesgo de exposición varía dependiendo de la frecuencia con la que realice este tipo de trabajo. Para reducir su exposición a estos productos químicos: trabaje en un área bien ventilada, y trabaje con equipo de seguridad aprobado, como máscaras antipolvo especialmente diseñadas para filtrar partículas microscópicas.

DESCRIPCION FUNCIONAL



Cat. No. 6394



1. Empuñadura Tilt-Lok™ (inclinable-fijable)
2. Botón de liberación de la palanca de la empuñadura
3. Palanca de liberación de la empuñadura
4. Escala de bisel
5. Indicador de bisel
6. Palanca de ajuste de bisel
7. Botón inmovilizador del vástago
8. Medidor de ajuste de profundidad (no se ilustra)
9. Gatillo
10. Botón de liberación del cable (Cat. No. 6394 solo.)
11. Palanca de ajuste de profundidad
12. Empuñadura frontal
13. Línea de visión
14. Muesca de línea de corte
15. Guarda inferior
16. Brida de la cuchilla
17. Tuerca del disco
18. Disco de corte
19. Zapata
20. Palanca de la guarda inferior
21. Guarda superior
22. Cable Positive-Lok® (Cat. No. 6394 solo.)

TIERRA

ADVERTENCIA Puede haber riesgo de descarga eléctrica si se conecta el cable de conexión de puesta a tierra incorrectamente. Consulte con un electricista certificado si tiene dudas respecto a la conexión de puesta a tierra del tomacorriente. No modifique el enchufe que se proporciona con la herramienta. Nunca retire la clavija de conexión de puesta a tierra del enchufe. No use la herramienta si el cable o el enchufe está dañado. Si está dañado antes de usarlo, llévelo a un centro de servicio MILWAUKEE para que lo reparen. Si el enchufe no se acopla al tomacorriente, haga que un electricista certificado instale un toma-corriente adecuado.

Herramientas con conexión a tierra:

Herramientas con enchufes de tres clavijas

Las herramientas marcadas con la frase "Se requiere conexión de puesta a tierra" tienen un cable de tres hilos y enchufes de conexión de puesta a tierra de tres clavijas. El enchufe debe conectarse a un tomacorriente debidamente conectado a tierra (véase la Figura A). Si la herramienta se averiara o no funcionara correctamente, la conexión de puesta a tierra proporciona un trayecto de baja resistencia para desviar la corriente eléctrica de la trayectoria del usuario, reduciendo de este modo el riesgo de descarga eléctrica.

La clavija de conexión de puesta a tierra en el enchufe está conectada al sistema de conexión de puesta a tierra de la herramienta a través del hilo verde dentro del cable. El hilo verde debe ser el único hilo conectado al sistema de conexión de puesta a tierra de la herramienta y nunca se debe unir a una terminal energizada.

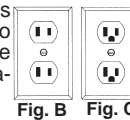
Su herramienta debe estar enchufada en un tomacorriente apropiado, correctamente instalado y conectado a tierra según todos los códigos y reglamentos. El enchufe y el tomacorriente deben asemejarse a los de la Figura A.



Herramientas con doble aislamiento:

Herramientas con clavijas de dos patas

Las herramientas marcadas con "Doble aislamiento" no requieren conectarse "a tierra". Estas herramientas tienen un sistema aislante que satisface los estándares de OSHA y llena los estándares aplicables de UL (Underwriters Laboratories), de la Asociación Canadiense de Estándares (CSA) y el Código Nacional de Electricidad. Las herramientas con doble aislamiento pueden ser usadas en cualquiera de los toma corriente de 120 Volt mostrados en las Figuras B y C.



EXTENSIONES ELECTRICAS

Las herramientas que deben conectarse a tierra cuentan con clavijas de tres patas y requieren que las extensiones que se utilicen con ellas sean también de tres cables. Las herramientas con doble aislamiento y clavijas de dos patas pueden utilizarse indistintamente con extensiones de dos a tres cables. El calibre de la extensión depende de la distancia que exista entre la toma de la corriente y el sitio donde se utilice la herramienta. El uso de extensiones inadecuadas puede causar serias caídas en el voltaje, resultando en pérdida de potencia y posible daño a la herramienta. La tabla que aquí se ilustra sirve de guía para la adecuada selección de la extensión. Mientras menor sea el número del calibre del cable, mayor será la capacidad del mismo. Por ejemplo, un cable calibre 14 puede transportar una corriente mayor que un cable calibre 16. Cuando use mas de una extensión para lograr el largo deseado, asegúrese que cada una tenga al menos, el mínimo tamaño de cable requerido. Si está usando un cable de extensión para mas de una herramienta, sume los amperes de las varias placas y use la suma para determinar el tamaño mínimo del cable de extensión.

Guías para el uso de cables de extensión

- Si está usando un cable de extensión en sitios al aire libre, asegúrese que está marcado con el sufijo "W-A" ("W" en Canadá) el cual indica que puede ser usado al aire libre.
- Asegúrese que su cable de extensión está correctamente cableado y en buenas condiciones eléctricas. Cambie siempre una extensión dañada o hágala reparar por una persona calificada antes de volver a usarla.
- Proteja su extensión eléctrica de objetos cortantes, calor excesivo o áreas mojadas.

Calibre mínimo recomendado para cables de extensiones eléctricas*

Amperios (En la placa)	Largo de cable de Extensión en (m)					
	7,6	12,2	22,8	30,4	45,7	60,9
0 - 5,0	16	16	16	14	12	12
5,1 - 8,0	16	16	14	12	10	--
8,1 - 12,0	14	14	12	10	--	--
12,1 - 15,0	12	12	10	10	--	--
15,1 - 20,0	10	10	10	--	--	--

* Basado en limitar la caída en el voltaje a 5 volts al 150% de los amperios.

LEA Y GUARDE TODAS LAS INSTRUCCIONES PARA FUTURAS REFERENCIAS.

ESPECIFICACIONES

Cat. No.	Volts	rpm	Diam. de Disco	Entrada Disco	Profundidad de Corte a 90°	Profundidad de Corte a 45°
6390-20	120 c.a./c.d.	6 300	184 mm (7-1/4")	16 mm (5/8")	0 hasta 63 mm (0 hasta 2-15/32")	0 hasta 46 mm (0 hasta 1-13/16")
6394	120 c.a. solo.	6 300	184 mm (7-1/4")	16 mm (5/8")	0 hasta 63 mm (0 hasta 2-15/32")	0 hasta 46 mm (0 hasta 1-13/16")

SIMBOLOGÍA

	Doble aislamiento
	Volts
	Corriente continua y alterna
	Corriente alterna
	Amperios
n_0 XXXX min. ⁻¹	Revoluciones por minuto (RPM)
	Underwriters Laboratories, Inc., Estados Unidos y Canadá

ENSAMBLAJE DE LA HERRAMIENTA

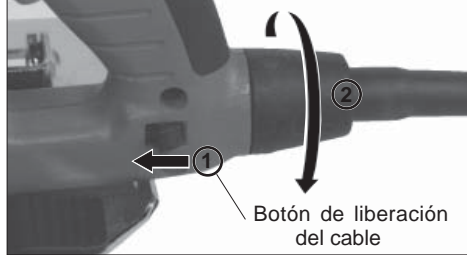
ADVERTENCIA A fin de reducir el riesgo de lesionarse, desenchufe siempre la herramienta antes de colocar o retirar accesorios, o de realizar ajustes. Utilice únicamente accesorios específicamente recomendados. El uso de accesorios no recomendados podría resultar peligroso.

Remoción y reemplazo de Cables Positive-Lok® (Cat. No. 6394)

Los exclusivos Cables Positive-Lok® de MILWAUKEE proporcionan reemplazo o sustitución al instante en el lugar de trabajo. La función del Positive-Lok® asegura el cable firmemente a la herramienta.

1. Para remover el Cable Positive-Lok®, oprima el botón de liberación del cable en la dirección indicada y gire la tuerca del cable 1/4 de vuelta a la izquierda. Tire del cable para retirarlo.
2. Para reemplazar el Cable Positive-Lok®, alinee las ranuras de chaveta del conector y empuje el conector hacia adentro hasta que tope. Gire la tuerca del cable 1/4 de vuelta hacia la derecha para asegurarlo. El botón de liberación del cable deberá caer nuevamente en su posición.

Fig. 1



ADVERTENCIA Use solamente accesorios con una velocidad nominal máxima, por lo menos, tan alta como las RPM que aparecen en la placa de identificación de la herramienta.

Selección de la cuchilla

Seleccione una cuchilla apropiada para su aplicación. Consulte la sección "Accesorios" a fin de obtener una lista de las cuchillas a usar para las aplicaciones correctas de esta herramienta. Siempre use cuchillas afiladas. Las cuchillas sin filo tienden a sobrecargar la herramienta y aumentan la probabilidad de CONTRAGOLPE. Sólo use cuchillas de ranura delgada con una velocidad máxima de operación segura mayor que las RPM sin carga indicadas en la placa de especificaciones de la herramienta. Lea las instrucciones del fabricante de la cuchilla antes de usarla. No use cuchillas abrasivas ni romboidales en seco de ningún tipo. Use el tipo correcto de cuchilla para su aplicación. El uso de una cuchilla errónea puede resultar en un desempeño deficiente o en daño a la cuchilla. No use cuchillas que estén agrietadas ni que tengan dientes rotos. No afíle las cuchillas de metales ferrosos; consulte las recomendaciones del fabricante respecto al afilado.

Fig. 2

Corte longitudinal y corte transversal
Una cuchilla multiusos para corte longitudinal, corte transversal y corte en ángulo en maderas duras, maderas suaves, madera contrachapada y materiales compuestos.

Corte longitudinal encuadrado
Diseñada para un corte longitudinal rápido y preciso a lo largo del grano en maderas duras o suaves cuando no se necesita un corte transversal liso.

Madera contrachapada y veta de la madera
Se recomienda para cortar madera contrachapada, materiales compuestos y todo tipo de madera, cuando se necesita un acabado ligeramente más liso.

Corte y acabado
Diseñada especialmente para corte transversal y en ángulo en materiales que requieren un corte muy liso. También corta aluminio.

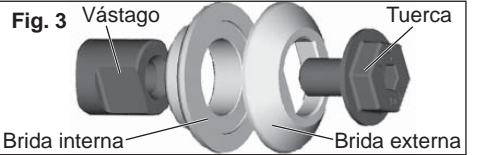
Cómo verificar el funcionamiento de la guarda inferior

Verifique el funcionamiento y la condición de la palanca de la guarda inferior. Si la guarda y la palanca no funcionan apropiadamente, será necesario repararlos antes de volver a usarlos. La guarda inferior puede funcionar defectuosamente debido a partes dañadas, depósitos resinosos o por la acumulación de restos de material.

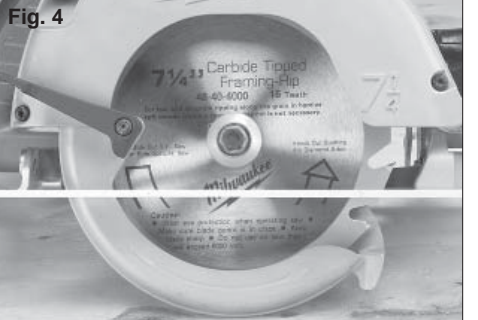
1. Desconecte la herramienta antes de verificar la guarda inferior.
2. Coloque la herramienta sobre su propio lado.
NOTA: Este procedimiento no mostrará un funcionamiento correcto de la guarda inferior si la herramienta no se halla sobre su propio lado.
3. Sujete la guarda inferior por los lados y empujela completamente hacia el alojamiento de la cuchilla.
4. Suelte la guarda inferior.
 - Si la guarda salta inmediatamente hacia su lugar, significa que está funcionando correctamente y puede continuar utilizándola.
 - Si la guarda no salta inmediatamente hacia su lugar, limpie las guardas superior e inferior para remover todas las virutas o restos de material. Luego, verifique nuevamente el funcionamiento comenzando con el primer paso.
 - Si aún así la guarda todavía no salta inmediatamente hacia su lugar, comuníquese con un centro de servicio autorizado de MILWAUKEE para que la reparen. Cómo instalar y retirar las cuchillas

1. Desconecte la herramienta antes de instalar o retirar las cuchillas.
2. Coloque la sierra sobre una superficie plana, con la cuchilla orientada hacia arriba. Al tiempo que oprime el seguro que traba la flecha, use una llave de provista con la herramienta para y gire la tuerca en sentido inverso a un reloj. Extraiga el perno y la brida externa de la cuchilla.
3. Mueva la palanca de la guarda inferior para subir la misma. Retire la cuchilla del vástago. Limpie siempre el polvo y el aserrín del vástago, la guarda superior y la inferior.

NOTA: No retire la brida interna. Le plus grand diamètre de la brida interna doit appuyer sur la lame (Fig. 3).



4. Para instalar una cuchilla, coloque la cuchilla en el vástago con los dientes apuntando en la misma dirección indicada por la flecha de la guarda inferior (Fig. 4). Suelte la guarda inferior.



5. Extraiga el perno y la brida de la cuchilla. Le plus grand diamètre de la brida externa doit appuyer sur la lame (Fig. 3).

6. Al tiempo que oprime el seguro de la flecha, use la llave de para girar la tuerca en sentido de un reloj. Apriétela firmemente.

Ajuste de profundidad

1. Desconecte la herramienta.
2. Para ajustar la profundidad del corte, sostenga la sierra por la empuñadura Tilt-Lok™ (inclinable-fijable) y afloje la palanca de ajuste de profundidad, levantándola y alejándola de la zapata (Fig. 5).



- Suba o baje la zapata a la posición deseada. Las graduaciones en incrementos de 6 mm (1/4") marcadas en el lado interior de la guarda superior son para fijar la profundidad. Para una profundidad correcta, la cuchilla no se deberá extender más de 6 mm (1/4") por debajo del material que se esté cortando (Fig. 6).



- Mueva la palanca de ajuste de profundidad hacia la zapata y presione hacia abajo para fijar la posición.

Cómo ajustar el ángulo del bisel

- Desconecte la herramienta.
- Para ajustar el ángulo de corte, sostenga la sierra por la empuñadura Tilt-Lok™ (inclinable-fijable) y afloje la palanca de ajuste de bisel, levantándola hacia la cuchilla (Fig. 7).



- Sujete la empuñadura frontal y gire la sierra sosteniéndola por la empuñadura Tilt-Lok™ (inclinable-fijable) hasta el ángulo deseado indicado por las marcas en la escala de bisel (Fig. 8).

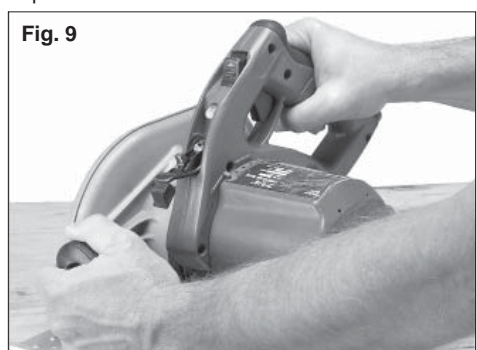


- Separe de la cuchilla la palanca de ajuste de profundidad y presione hacia abajo para fijar la posición.

Cómo ajustar el ángulo de la empuñadura Tilt-Lok™ (inclinable-fijable)

Esta sierra circular está equipada con una empuñadura ajustable. La característica Tilt-Lok™ (inclinable-fijable) le permite al usuario ajustar el ángulo de la empuñadura para lograr la mejor posición de corte.

- Desconecte la herramienta.
- Presione y sostenga el botón de liberación de la palanca de la empuñadura.
- Afloje la palanca de liberación de la empuñadura, levantándola y alejándola de la empuñadura Tilt-Lok™ (inclinable-fijable).
- Para ajustar la posición de la empuñadura, sujete la empuñadura frontal y gire la empuñadura Tilt-Lok™ (inclinable-fijable) hasta el ángulo deseado, indicado por las marcas de ajuste de rotación de la empuñadura (Fig. 9). La empuñadura Tilt-Lok™ (inclinable-fijable) tiene ocho (8) retenes que permiten fijar la empuñadura en posición. **NOTA:** La profundidad de corte de la cuchilla determina el margen de posiciones fijables de inclinación disponibles para una aplicación en particular. Véase "Ajuste de la profundidad" para obtener las instrucciones sobre cómo ajustar la profundidad de corte de la cuchilla.



- Empuje la palanca de liberación de la empuñadura hacia la empuñadura hasta que la palanca encaje en su lugar.

ADVERTENCIA No opere la sierra teniendo presionado el botón de liberación de la palanca de la empuñadura o sin que la empuñadura esté fijada en posición.

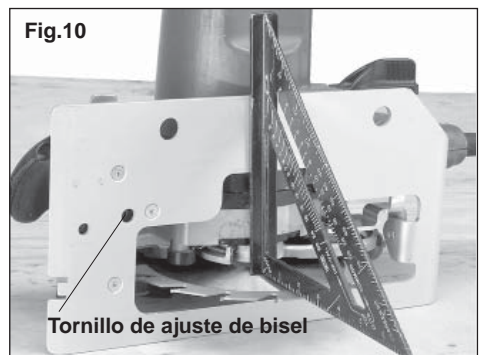
NOTA: La sierra no funcionará a menos que la palanca de liberación de la empuñadura esté debidamente fijada en posición.

ADVERTENCIA Si la empuñadura Tilt-Lok™ (inclinable-fijable) se mueve mientras le palanca se encuentra fija en posición, no opere la sierra. Regrese inmediatamente la sierra circular a un centro de servicio MILWAUKEE para que la reparen.

Cómo ajustar la cuchilla con respecto a la zapata

La zapata viene ajustada de la fábrica a 90 grados. Inspeccione la sierra regularmente para asegurarse de que la cuchilla esté a 90 grados de la zapata.

- Desconecte la herramienta.
- Fije el indicador de bisel a cero.
- Para asegurarse de que la cuchilla esté a 90 grados de la zapata, coloque la sierra en el lado de la cuchilla y pliegue la guarda inferior. Coloque un cuadrado contra la cuchilla y la zapata para inspeccionar el ángulo fijado (Fig. 10).



- Para ajustar el ángulo, afloje la palanca de ajuste de bisel, levantándola hacia la cuchilla. Afloje o apriete el tornillo de ajuste de bisel hasta que la cuchilla esté a un ángulo de 90 grados con respecto a la zapata.
- Verifique que el indicador de bisel esté a 0 grados. Para ajustar el indicador de bisel, afloje los dos tornillos en la empuñadura frontal y restablezca el indicador de bisel a 0 grados.

OPERACION

ADVERTENCIA Para reducir el riesgo de una lesión, desconecte siempre la herramienta antes de fijar o retirar accesorios, o antes de efectuar ajustes. Utilice sólo los accesorios específicamente recomendados. El uso de otros accesorios puede ser peligroso.

ADVERTENCIA A fin de reducir el riesgo de lesionarse, use anteojos de seguridad con protección lateral.

Causas del contragolpe y advertencias relacionadas

- El contragolpe es una reacción repentina a una hoja de sierra pellizcada, amarrada o mal alineada que ocasiona que la sierra se levante y se salga de la pieza de trabajo y hacia el operador de forma incontrolada;
- Cuando la hoja se pellizca o se amarra estrechamente por el cierre de la separación de corte, la hoja se para y la reacción del motor impulsa la unidad con gran rapidez hacia el operador;
- Si la hoja se tuerce o pierde la alineación en el corte, los dientes del borde trasero de la hoja

pueden enterrarse en la superficie superior de la madera, ocasionando que la hoja se salga de la separación de corte y salte hacia el operador. El contragolpe es el resultado del uso incorrecto de la sierra y/o de procedimientos o condiciones de operación incorrectos y puede evitarse tomando las precauciones correspondientes que se indican a continuación.

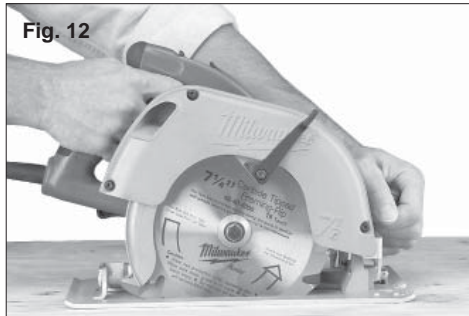
- Mantenga un agarre firme con ambas manos sobre la sierra y coloque los brazos para resistir las fuerzas de contragolpe. Posicione el cuerpo a cualquiera de los dos lados de la hoja, pero no en línea con la hoja.** El contragolpe podría ocasionar que la sierra saltara hacia atrás, pero las fuerzas de contragolpe pueden ser controladas por el operador si se toman las precauciones correspondientes.
- Cuando la hoja se esté amarrando o cuando se interrumpa un corte por cualquier motivo, suelte el gatillo y sostenga la sierra inmóvil dentro del material hasta que la hoja se detenga por completo. Nunca intente retirar la sierra de la pieza ni jalarla hacia atrás mientras la hoja se encuentre aún en movimiento, pues puede producirse un contragolpe.** Investigue y siga acciones correctivas para eliminar la causa del amarre de la hoja.
- Al reiniciar una sierra dentro de la pieza de trabajo, centre la hoja de la sierra en la separación de corte y verifique que los dientes de la sierra no estén insertados en el material.** Si la hojas de la sierra se está amarrando, puede avanzar hacia arriba o dar un contragolpe de la pieza de trabajo al reiniciarse la sierra.
- Soporte los paneles grandes para minimizar el riesgo de que la hoja pellizque y dé un contragolpe.** Los paneles grandes tienden a pandearse con su propio peso. Deben colocarse soportes debajo del panel a ambos lados, cerca de la línea de corte y cerca del borde del panel.
- No utilice hojas romas ni dañadas.** Las hojas sin filo o que estén incorrectamente colocadas pueden producir una separación de corte angosta, causando fricción excesiva, amarre de la hoja y contragolpe.
- Las palancas de ajuste de la profundidad de la hoja y bisel deben estar apretadas y firmes antes de hacer el corte.** Si el ajuste de la hoja cambia durante el corte, puede causar amarre y contragolpe.
- Use precaución adicional al aserrar en muros existentes u otras áreas donde no haya visibilidad.** La hoja saliente puede cortar objetos que podrían causar contragolpe.

Operación en general

Sujete siempre, en forma segura en un banco de trabajo, el material a cortar (Fig. 11). Para saber la forma correcta de sujetar el material en diferentes situaciones, vea "Aplicaciones".



1. Dibuje la línea de corte. Coloque la parte delantera de la zapata en la orilla del material, sin hacer contacto con él. Sujete con una mano la empuñadura Tilt-Lok (inclinable-fijable) y con la otra la empuñadura frontal (Fig. 12).



2. Alinee la línea de visión con la línea de corte. Posicione sus manos y cuerpo de forma balanceada que pueda resistir una "patada". Jale el gatillo, permitiendo que el motor alcance su máxima velocidad, antes de iniciar el corte.
3. Al ir realizando el corte, mantenga la zapata plana contra la superficie del material cortado y mantenga una sujeción firme. No force la sierra durante el corte ya que si lo hace puede generar una "patada".
4. Si va a realizar un corte parcial, o va a reiniciar o corregir a la mitad de un corte, permita que el disco se detenga por completo. Para reanudar el corte, centre el disco en el surco, retrase la sierra unas cuantas pulgadas, jale el gatillo y reinicie el corte lentamente.
5. Si la sierra se atasca y se detiene, sosténgala firmemente y suelte de inmediato el gatillo. Sostenga la sierra sin movimiento dentro del corte hasta que la cuchilla se detenga completamente.
6. Luego de terminar un corte, asegúrese que la guarda inferior cierra y el disco llega a detenerse por completo antes de dejar descansando a la sierra.

Freno eléctrico (Cat. No. 6394)

Modelos específicos vienen con freno eléctrico. Los frenos se activan al soltar el gatillo, deteniendo el disco de corte para permitirle continuar con su trabajo. Por lo general, el disco de corte de la sierra se detiene en dos segundos. Sin embargo, el tiempo que transcurre desde que suelte el gatillo y la aplicación del freno puede ser mayor. Si el freno falla con frecuencia, la sierra necesita mantenimiento y para ello deberá contactar una estación de servicio autorizada de MILWAUKEE. El freno no sustituye la guarda, por lo que siempre deberá esperar a que el disco de corte se detenga por completo antes de retirar la sierra del área de trabajo. Para asegurar la operación correcta del freno, debe usar el grado correcto de cepillo. Al darle mantenimiento a la herramienta, utilice únicamente cepillos de repuesto MILWAUKEE apropiados.

Solución de problemas

- Si el disco no quiere seguir una línea recta:
- Los dientes pueden estar sin filo de un lado. Esto es causado al golpear sólidamente con un objeto duro como puede ser un clavo o una piedra, mellando a los dientes de un solo lado. El disco tenderá a cortar hacia el lado con los dientes más afilados.
 - La zapata está desalineada o doblada
 - El disco está doblado
 - Por no usar una guía de corte
- Si el disco se dobla o atasca, hecha humo o se pone azul por la fricción:
- El disco no tiene filo
 - El disco está colocado al revés
 - El disco está doblado
 - El disco está sucio
 - El material a cortar no está bien apoyado
 - Se está usando un disco incorrecto

APLICACIONES

ADVERTENCIA Para reducir el riesgo de explosión, electrocución y daño a la propiedad, antes de taladrar verifique siempre que en el área de trabajo no hayan tuberías o cables ocultos.

Selección de las posiciones de la empuñadura Tilt-Lok™ (inclinable-fijable)

La empuñadura Tilt-Lok™ (inclinable-fijable) es una característica que le permite al usuario ajustar el ángulo de la empuñadura para lograr la mejor posición de corte. La empuñadura Tilt-Lok™ (inclinable-fijable) tiene ocho (8) retenes que permiten fijar la empuñadura en posición. Véase "Ajuste de la empuñadura Tilt-Lok™ (inclinable-fijable)" para obtener las instrucciones sobre cómo ajustar la empuñadura. Refiérase al siguiente cuadro de posiciones sugeridas para la empuñadura.

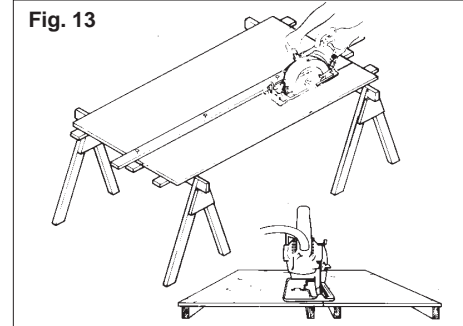
Aplicación	Posiciones Sugeridas Para La Empuñadura Tilt-Lok™ (Inclinable-fijable)*
Para realizar cortes al nivel exacto o aproximado de la cintura	Las posiciones más bajas de la empuñadura permiten que la sierra pueda ser empujada con mayor fuerza a través de la pieza de trabajo.
Para realizar cortes no profundos al nivel exacto o aproximado de la cintura	Las posiciones más bajas de la empuñadura le permiten al usuario aplicar una mayor presión hacia abajo durante los cortes no profundos, lo cual aumenta el control sobre la herramienta.
Para realizar cortes por debajo de la cintura, tal como en aplicaciones para pisos	Las posiciones más altas de la empuñadura disminuyen las veces que el usuario necesite inclinarse. También le permiten al usuario aplicar una mayor fuerza hacia abajo sobre la sierra.
Para realizar cortes sobre la cabeza, tal como en aplicaciones para techos	Las posiciones más altas de la empuñadura disminuyen las veces que el usuario necesite extenderse para hacer cortes sobre la cabeza. También le permiten al usuario aplicar una mayor fuerza hacia arriba sobre la sierra.

* Estas son posiciones sugeridas únicamente; es posible que la mejor posición de corte en sí pueda variar dependiendo de la aplicación en particular y la preferencia del usuario.

Cortando paneles grandes

Este tipo de paneles o tabloneros largos y grandes tienden a doblarse si no están bien apoyados. Si se intenta cortar sin nivelar y apoyar correctamente el material, el disco se atascará causando una "patada".

Apoye los paneles grandes como se ilustra. Asegúrese de ajustar la profundidad de corte de forma tal que solo se corte el material y no se corten los soportes.



Cortando a lo largo

Cuando se corta a lo largo del grano, debe seleccionarse la hoja adecuada para ese trabajo. Use una guía o tope cuando corte 102 mm (4") o menos de ancho. Para instalar la guía de corte, deslice la barra de la misma por la ranura a cualquier lado en la zapata. El ancho del corte es la distancia del interior del disco al lado interior de la guía, como se ilustra. Ajuste la guía al ancho deseado y asegúrela

apretando los tornillos de la guía. Cuando corte más de 102 mm (4"), clave o colque un tablón de 25 mm (1") al material de trabajo y use la orilla interior de la zapata como una guía.

Cortando madera a través

Los cortes a través son aquellos que van contra el grano o veta de la madera. Seleccione el disco adecuado para el trabajo. Alimente la sierra despacio para evitar la tendencia por romperse o doblarse por parte de las fibras de la madera.



ADVERTENCIA Antes de proceder a realizar un corte "interno" y a fin de reducir el riesgo de electrocución, revise el área de trabajo y asegúrese de que no haya tubos ni cables ocultos.

Cortes interiores

Este tipo de cortes se realizan en la mitad del material cuando no puede ni debe cortarse partiendo de una orilla. Recomendamos usar una sierra caladora o sierra sable para este tipo de trabajo. Sin embargo, si debe usted usar una sierra circular para hacer este tipo de corte, TENGA EXTREMO CUIDADO. Para mantener el control sobre la sierra durante los trabajos de corte interno, mantenga ambas manos en la sierra (Fig. 15).



1. Iniciando en una esquina, alinee la línea de visión con la línea de corte. Incline la sierra hacia adelante, apoyando firmemente la parte delantera de la zapata contra el material. El disco debe estar ligeramente por encima de la línea de corte, pero sin tocarla. Levante la guarda inferior usando la palanca respectiva.
2. Jale el gatillo, permitiendo que el disco desarrolle su velocidad completa. Usando la parte delantera de la zapata como pivote, baje gradualmente

la parte posterior de la sierra contra el material.
3. Cuando la zapata quede extendida sobre la pieza que se está cortando, suelte la palanca de la guarda inferior. Haga avanzar la sierra a la esquina extrema. Suelte el gatillo y espere a que el disco esté parado por completo, antes de retirar la sierra del material. Repita este procedimiento en cada uno de los lados de la apertura. Use una sierra sable Sawzall®, una caladora o un serrucho para darle el acabado a las esquinas cuando estas no estén completamente cortadas.

Corte en mampostería y metales

Las sierras circulares de MILWAUKEE no son para uso continuo en cortes de metales o mampostería. Cuando se corten estos materiales, use la segueta correcta.

ADVERTENCIA El polvo, las rebabas y el grano pueden hacer que la guarda deje de funcionar en cualquier momento. Si se usa la sierra para cortar mampostería o metales, resérvela y márquela para ese uso únicamente, y llévela a un centro de servicio MILWAUKEE para su limpieza y prueba antes de usarla para cortes de madera.

ADVERTENCIA Use solamente accesorios con una velocidad nominal máxima, por lo menos, tan alta como las RPM que aparecen en la placa de identificación de la herramienta.

Cuando corte mampostería, use una segueta de diamante. Realice pasadas sucesivas a profundidades de menos de 6 mm (1/4 pulg.) a fin de lograr la profundidad deseada. Realizar cortes a una profundidad de más de 6 mm (1/4 pulg.) dañará el disco. Desenchufe la herramienta y limpie frecuentemente el polvo de las aberturas de ventilación y de las guardas.

ADVERTENCIA No use la herramienta para cortar metales cerca de materiales inflamables. Las chispas pueden provocar un incendio.

Cuando corte metales, use una segueta para cortar metal. Fije la profundidad de corte a la profundidad máxima. Proteja a todas las personas que se encuentren en el área de las chispas.

ACCESORIOS

ADVERTENCIA Para reducir el riesgo de lesiones, siempre desconecte la herramienta antes de cambiar o retirar accesorios. Utilice únicamente accesorios específicamente recomendados para esta herramienta. El uso de accesorios no recomendados podría resultar peligroso.

Para una lista completa de accesorios, refiérase a su catálogo MILWAUKEE Electric Tool o visite nuestro sitio en Internet: www.milwaukeetool.com. Para obtener un catálogo, contacte su distribuidor local o uno de los centros.

MANTENIMIENTO

ADVERTENCIA Para reducir el riesgo de lesiones, desconecte siempre la herramienta antes de darle cualquier mantenimiento. Nunca desarme la herramienta ni trate de hacer modificaciones en el sistema eléctrico de la misma. Acuda siempre a un Centro de Servicio MILWAUKEE para TODAS las reparaciones.

Mantenimiento de las herramientas

Adopte un programa regular de mantenimiento y mantenga su herramienta en buenas condiciones. Antes de usarla, examine las condiciones generales de la misma. Inspeccione guardas, interruptores, el cable de la herramienta y el cable de extensión. Busque tornillos sueltos o flojos, defectos de alineación y dobleces en partes móviles, así como montajes inadecuados, partes rotas y cualquier otra condición que pueda afectar una operación segura. Si detecta ruidos o vibraciones anormales, apague la herramienta de inmediato y corrija el problema antes de volver a usarla. No utilice una herramienta dañada. Colóquela una etiqueta que diga "NO DEBE USARSE" hasta que sea reparada (vea "Reparaciones").

Bajo condiciones normales, no se requiere lubricación hasta que haya que cambiar los carbones. Después de 6 meses a un año, dependiendo del uso dado, envíe su herramienta al Centro de Servicio MILWAUKEE más cercano para que le hagan:

- Lubricación
- Inspección y cambio de carbones
- Inspección mecánica y limpieza (engranes, flechas, baleros, carcarza, etc.)
- Inspección eléctrica (interruptor, cable, armadura, etc.)
- Probarla para asegurar una operación mecánica y eléctrica adecuada.

ADVERTENCIA Para reducir el riesgo de lesiones, descarga eléctrica o daño a la herramienta, nunca la sumerja en líquidos ni permita que estos fluyan dentro de la misma.

Limpieza

Limpie el polvo y suciedad de las ventilas. Mantenga las empuñaduras de la herramienta limpias, secas y libres de aceite y grasa. Use sólo jabón neutro y un trapo húmedo para limpiar su herramienta ya que algunas sustancias y disolventes limpiadores pueden ocasionar daños a materiales plásticos y partes aislantes. Algunos de estos incluyen: gasolina, trementina, diluyente para barniz, diluyente para pintura, disolventes limpiadores clorados, amoníaco, y detergentes caseros que contengan amoníaco.

Reparaciones

Si su instrumento se daña, vuelva el instrumento entero al más cercano centro de reparaciones.

GARANTÍA LIMITADA - E.U.A. Y CANADÁ

Se garantiza al comprador original que ninguna de las herramientas eléctricas MILWAUKEE (incluido el producto inalámbrico, la herramienta y las baterías; consulte las declaraciones distintas y por separado en GARANTÍA LIMITADA DEL PAQUETE DE BATERÍAS INALÁMBRICAS y de las luces de trabajo y del cargador de baterías*) presentan defectos en material ni en mano de obra. En un plazo de cinco (5) años* a partir de la fecha de compra y sujeto a ciertas excepciones, MILWAUKEE reparará o reemplazará cualquier parte de una herramienta eléctrica que, luego de ser examinada, MILWAUKEE compruebe que presenta defectos en material o mano de obra, a menos que se indique lo contrario. Se requiere la devolución de la herramienta eléctrica a un centro de mantenimiento de la fábrica MILWAUKEE o a un centro de reparaciones autorizado por MILWAUKEE, con gastos de envío prepagados y asegurados. La devolución del producto debe estar acompañada por un comprobante de compra. Esta garantía no se aplica a los daños que MILWAUKEE establece que fueron ocasionados por reparaciones o intentos de reparación por parte de personal no autorizado por MILWAUKEE, uso indebido, alteraciones, abuso, desgaste y deterioro normal, falta de mantenimiento o accidentes.

*El período de garantía de las radios para obras, del puerto de alimentación M12™, Fuente de poder M18™, y de las carretillas de trabajo industrial Trade Titan™ es de un (1) año a partir de la fecha de compra. El período de garantía de la lámpara de trabajo con diodo luminiscente y del foco mejorado con diodo luminiscente es una garantía VITALICIA limitada para el comprador original únicamente. Si durante el uso normal el foco de diodo luminiscente no funciona, la lámpara de trabajo o el foco mejorado se reemplazará sin carga.

*Esta garantía no cubre las clavadoras aéreas, las engrapadoras, el rociador de pintura inalámbrico, el paquete de baterías inalámbrico, los generadores eléctricos portátiles que funcionan con gasolina, herramientas manuales, elevadores (eléctricos, con palanca y con cadenas manuales), camisas de calefacción M12™, productos reacondicionados y productos de prueba y medición. Se encuentran disponibles garantías distintas para estos productos.

No se necesita registro de garantía para obtener la garantía correspondiente de un producto eléctrico MILWAUKEE. La fecha de fabricación del producto se utilizará para determinar el período de garantía si no se presenta un comprobante de compra en el momento en que se solicita el servicio de garantía.

LA ACEPTACIÓN DE LOS DERECHOS A REPARACIÓN Y REEMPLAZO EXCLUSIVAMENTE DESCRITOS EN EL PRESENTE DOCUMENTO CONSTITUYE UNA CONDICIÓN DEL CONTRATO POR LA COMPRA DE CADA PRODUCTO MILWAUKEE. SI NO ACEPTA ESTA CONDICIÓN, NO DEBE COMPRAR EL PRODUCTO. MILWAUKEE NO SERÁ EN NINGUN CASO RESPONSABLE DE DAÑOS INCIDENTALES, ESPECIALES, CONSECUENTES O PUNITIVOS, NI DE COSTOS, HONORARIOS DE ABOGADOS, GASTOS, PERDIDAS O DEMORAS SUPUESTAMENTE CAUSADOS COMO CONSECUENCIA DE CUALQUIER DAÑO, FALLA O DEFECTO EN CUALQUIER PRODUCTO, INCLUIDOS, A MODO DE EJEMPLO, RECLAMOS POR PÉRDIDA DE GANANCIAS. ALGUNOS ESTADOS NO PERMITEN LA EXCLUSIÓN O LA LIMITACIÓN DE DAÑOS INCIDENTALES O CONSECUENTES, POR LO TANTO, LAS LIMITACIONES Y EXCLUSIONES ANTERIORES PUEDEN NO APLICARSE PARA USTED. ESTA GARANTÍA ES EXCLUSIVA Y SUSTITUYE A TODAS LAS OTRAS GARANTÍAS EXPRESAS, ESCRITAS U ORALES. SEGÚN LO PERMITA LA LEY, MILWAUKEE SE EXIME DE TODA GARANTÍA IMPLÍCITA, INCLUIDOS, A MODO DE EJEMPLO, TODA GARANTÍA IMPLÍCITA DE COMERCIABILIDAD O IDONEIDAD PARA UN USO O PROPOSITO EN PARTICULAR; EN LA MEDIDA EN QUE DICHA RENUNCIA NO ESTÉ PERMITIDA POR LA LEY, DICHAS GARANTÍAS IMPLÍCITAS ESTÁN LIMITADAS A LA DURACIÓN DE LA GARANTÍA EXPRESA APLICABLE SEGÚN SE DESCRIBE ANTERIORMENTE. ALGUNOS ESTADOS NO PERMITEN LIMITACIONES EN LA DURACIÓN DE UNA GARANTÍA IMPLÍCITA. POR LO TANTO, LA LIMITACIÓN ANTERIOR PUEDE NO APLICARSE PARA USTED. ESTA GARANTÍA LE OTORGA DERECHOS LEGALES ESPECÍFICOS Y TAMBIÉN PUEDE TENER OTROS DERECHOS QUE VARIAN DE ESTADO EN ESTADO.

Esta garantía se aplica a los productos vendidos en los EE. UU. y Canadá. Consulte 'Service Center Search' (Búsqueda de centro de servicio) en la sección Parts & Services (Piezas y servicios) del sitio web MILWAUKEE, www.milwaukeetool.com o llame al 1.800.SAWDUST (1.800.729.3878) para encontrar su Centro de Servicio de la fábrica de MILWAUKEE más cercano.

PÓLIZA DE GARANTÍA - VALIDA SOLO PARA MÉXICO, AMÉRICA CENTRAL Y EL CARIBE

TECHTRONIC INDUSTRIES., garantiza por 5 años este producto a partir de la fecha original de compra. Esta garantía cubre cualquier defecto que presenten las piezas, componentes y la mano de obra contenidas en este producto Para América Central y el Caribe se debe confirmar en el Centro de Servicio Autorizado el plazo de la garantía. Para hacer efectiva la Garantía deberá presentar al Centro de Servicio Autorizado la Póliza de Garantía sellada por el establecimiento en donde adquirió el producto. Si no la tienen, podrá presentar el comprobante de compra original. Usted puede llamar sin costo al teléfono 01 800 832 1949 o por correo electrónico a la dirección "servicio@ttigroupna.com", para ubicar el Centro de Servicio Autorizado más cercano a su domicilio, en el cual además podrá adquirir partes, componentes, consumibles y accesorios, que usted necesite.

Procedimiento para hacer válida la garantía

Acuda al Centro de Servicio con el producto y la póliza de garantía sellada por el establecimiento donde realizó la compra. Ahí se reemplazará cualquier pieza o componente defectuoso sin cargo alguno para el usuario final. La empresa se hace responsable de los gastos de transportación razonablemente erogados que se deriven del cumplimiento de la presente garantía.

Excepciones

La garantía perderá validez en los siguientes casos:

- Cuando el producto se hubiese utilizado en condiciones distintas a las normales.
 - Cuando el producto no hubiese sido operado de acuerdo con el instructivo de uso que le acompaña.
 - Cuando el producto hubiese sido alterado o reparado por personas no autorizadas por TECHTRONIC INDUSTRIES.
- Nota: Si el cordón de alimentación es dañado, este debe ser reemplazado por el fabricante o por un Centro de Servicio Autorizado para evitar riesgo.

Modelo: _____

Fecha de Compra: _____

Sello del Distribuidor: _____

CENTRO DE SERVICIO Y ATENCIÓN A CLIENTES
Av Presidente Mazarik 29 Piso 7, 11570 Chapultepec Morales
Miguel Hidalgo, Distrito Federal, Mexico
Tel. 52 55 4160-3547

IMPORTADO Y COMERCIALIZADO POR:
TECHTRONIC INDUSTRIES MEXICO, .S.A. DE C.V.
Av Presidente Mazarik 29 Piso 7, 11570 Chapultepec Morales
Miguel Hidalgo, Distrito Federal, Mexico

UNITED STATES MILWAUKEE Service

MILWAUKEE prides itself in producing a premium quality product that is NOTHING BUT HEAVY DUTY®. Your satisfaction with our products is very important to us! If you encounter any problems with the operation of this tool, or you would like to locate the factory Service/Sales Support Branch or authorized service station nearest you, please call...

Additionally, we have a nationwide network of authorized Distributors ready to assist you with your tool and accessory needs. Check your "Yellow Pages" phone directory under "Tools-Electric" for the names & addresses of those nearest you or see the 'Where To Buy' section of our website.

1-800-SAWDUST

(1.800.729.3878)

Monday-Friday
7:00 AM - 6:30 PM
Central Time

or visit our website at

www.milwaukeetool.com

For service information, use the 'Service Center Search' icon found in the 'Parts & Service' section.

Contact our Corporate After Sales Service Technical Support about ...

- Technical Questions
- Service/Repair Questions
- Warranty

call: 1-800-SAWDUST
fax: 1.800.638.9582

email: metproductsupport@milwaukeetool.com

Register your tool online at www.milwaukeetool.com and...

- receive important notifications regarding your purchase
- ensure that your tool is protected under the warranty
- become a HEAVY DUTY club member

CANADA - Service MILWAUKEE

MILWAUKEE prides itself in producing a premium quality product that is NOTHING BUT HEAVY DUTY®. Your satisfaction with our products is very important to us!

If you encounter any problems with the operation of this tool, or you would like to locate the factory Service/Sales Support Branch or authorized service station nearest you, please call...

1.800.268.4015

Monday – Friday 7:00 – 4:30 CST
fax: 866.285.9049

Milwaukee Electric Tool (Canada) Ltd

140 Fernstaff Court, Unit 4 18129 111 Avenue NW
Vaughan, ON L4K 3L8 Edmonton, AB T5S 2P2

Additionally, we have a nationwide network of authorized Distributors ready to assist you with your tool and accessory needs. Call 1.800.268.4015 to find the names and addresses of the closest retailers or consult "Where to buy" on our Web site www.milwaukeetool.com

MILWAUKEE est fier de proposer un produit de première qualité NOTHING BUT HEAVY DUTY®. Votre satisfaction est ce qui compte le plus!

En cas de problèmes d'utilisation de l'outil ou pour localiser le centre de service/ventes ou le centre d'entretien le plus proche, appelez le...

1.800.268.4015

Lundi – Vendredi 7:00 – 4:30 CST
fax: 866.285.9049

Milwaukee Electric Tool (Canada) Ltd

140 Fernstaff Court, Unit 4 18129 111 Avenue NW
Vaughan, ON L4K 3L8 Edmonton, AB T5S 2P2

Notre réseau national de distributeurs agréés se tient à votre disposition pour fournir l'aide technique, l'outillage et les accessoires nécessaires. Composez le 1.800.268.4015 pour obtenir les noms et adresses des revendeurs les plus proches ou bien consultez la section «Où acheter» sur notre site web à l'adresse www.milwaukeetool.com

MEXICO - Soporte de Servicio MILWAUKEE

CENTRO DE ATENCION A CLIENTES

Av. Presidente Masarik 29 Piso 7
CP. 11570. Col. Chapultepec Morales
Del. Miguel Hidalgo, Distrito Federal, México
01-800-8321949

Lunes a Viernes (9am a 6pm)

O contáctanos en www.milwaukeetool.com.mx

Para información de Centros de Servicio busca el icono "Servicio al cliente"- "Contáctanos"

Contacta nuestro servicio técnico para....

- Preguntas Técnicas
- Asesoría, servicio y reparación
- Garantía

Adicionalmente, tenemos una red nacional de distribuidores autorizados listos para ayudarle con su herramienta y sus accesorios. Por favor, llame al 01 800 8321949 para obtener los nombres y direcciones de los más cercanos a usted, o consulte la sección "Dónde Comprar" en nuestro sitio web www.milwaukeetool.com.mx

MILWAUKEE ELECTRIC TOOL CORPORATION

13135 West Lisbon Road • Brookfield, Wisconsin, U.S.A. 53005