

# WIRING INSTRUCTIONS

TITLE

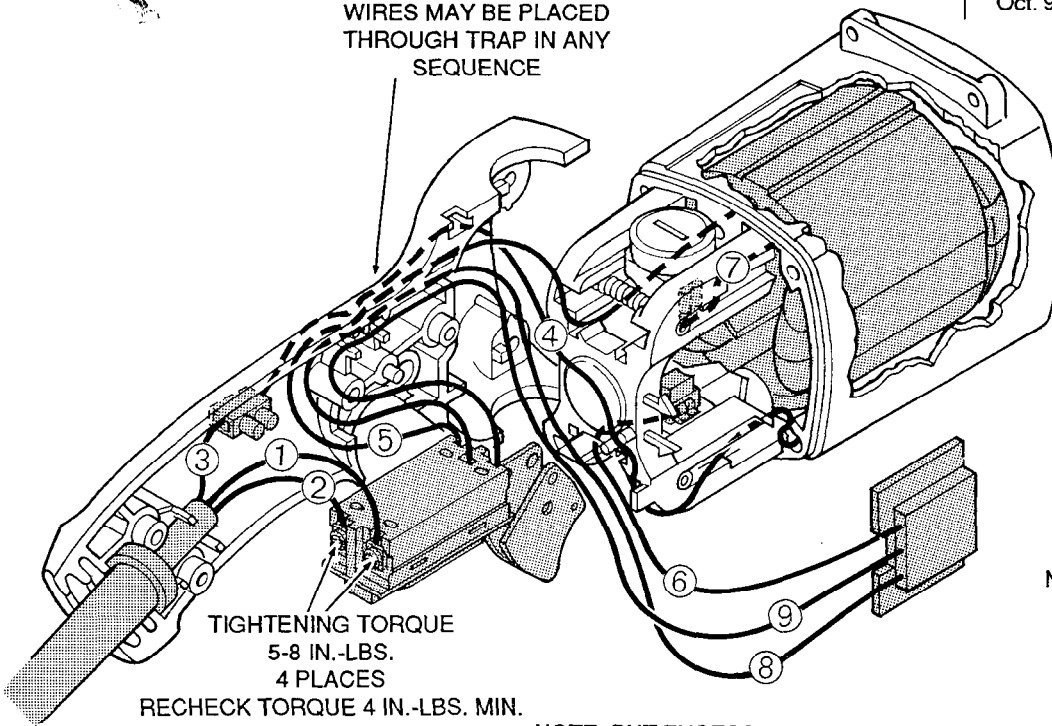
**TSC POLISHER**

**BULLETIN  
58-01-1340**

**MILWAUKEE ELECTRIC TOOL CORP. 13135 WEST LISBON RD. BROOKFIELD, WIS.**

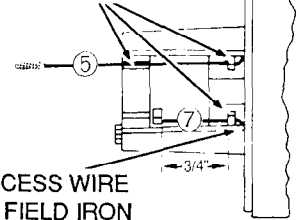
DATE  
Oct.'91

WIRES MAY BE PLACED  
THROUGH TRAP IN ANY  
SEQUENCE



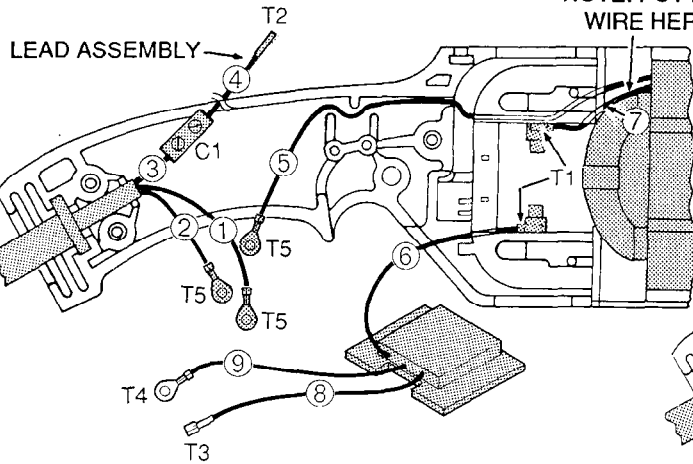
**TIGHTENING TORQUE  
5-8 IN.-LBS.  
4 PLACES  
RECHECK TORQUE 4 IN.-LBS. MIN.**

**NOTE WIRE TRAPS  
(3 PLACES)**

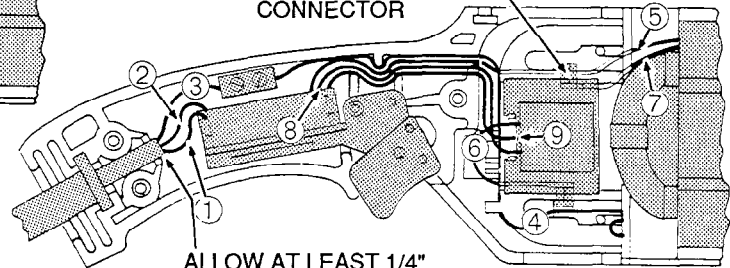


**TUCK EXCESS WIRE  
TOWARD FIELD IRON**

**NOTE: PUT EXCESS  
WIRE HERE (#7)**



**NOTE: SECURE UNTIL DETENT  
MATCHES HOLE IN MALE  
CONNECTOR**



**ALLOW AT LEAST 1/4"  
TO EXTEND PAST CORD TRAP**

## WIRING SPECIFICATIONS

Wire No.	Wire Color	Origin or Gauge	Length	Terminals, Connectors and 1 or 2 End Wire Preparation
1	Black	Cord / 16	1"	Strip 3/16" for T5.
2	White	Cord / 16	1"	Strip 3/16" for T5.
3	Green	Cord / 16	1-1/2"	Strip 3/16" and tin for C1.
4	Green	Lead Assy./16	9"	Strip 3/16" for T2 / Strip 3/16" and tin for C1.
5	Black	Field / 16	6"	Strip 3/16" for T5.
6	Black	Mod. / 18	4-1/4"	Strip 1/8" for T1.
7	Yellow	Field / 16	1-7/8"	Strip 1/8" for T1.
8	Blue	Mod. / 22	5-1/8"	Strip 1/8" for T3.
9	Black	Mod. / 18	5-9/16"	Strip 3/16" for T4.

**NOTE:**

All leads must be held to  $\pm 1/8"$ .  
All field leads to be measured from  
and perpendicular to laminations.  
All lead lengths are before stripping.

## TERMINAL DESCRIPTION

Code	Part No.	Qty.
T1	23-74-0750	2
T2	23-74-0810	1
T3	23-74-1020	1
T4	23-74-0895	1
T5	23-74-0850	3

## CONNECTOR DESCRIPTION

C1	22-56-0456	1
----	------------	---