



# SERVICE PARTS LIST

BULLETIN NO.  
54-06-2415

SPECIFY CATALOG NO. AND SERIAL NO. WHEN ORDERING PARTS		REVISED BULLETIN	DATE
<b>M12™ 3/8" RAD DRILL</b>			Feb. 2014
CATALOG NO.	<b>2415-20</b>	STARTING SERIAL NO.	<b>C23A</b>
		WIRING INSTRUCTION <b>SEE PAGE 3</b>	

**EXAMPLE:**  

00	0
----	---

 Component Parts (Small #) Are Included When Ordering The Assembly (Large #).

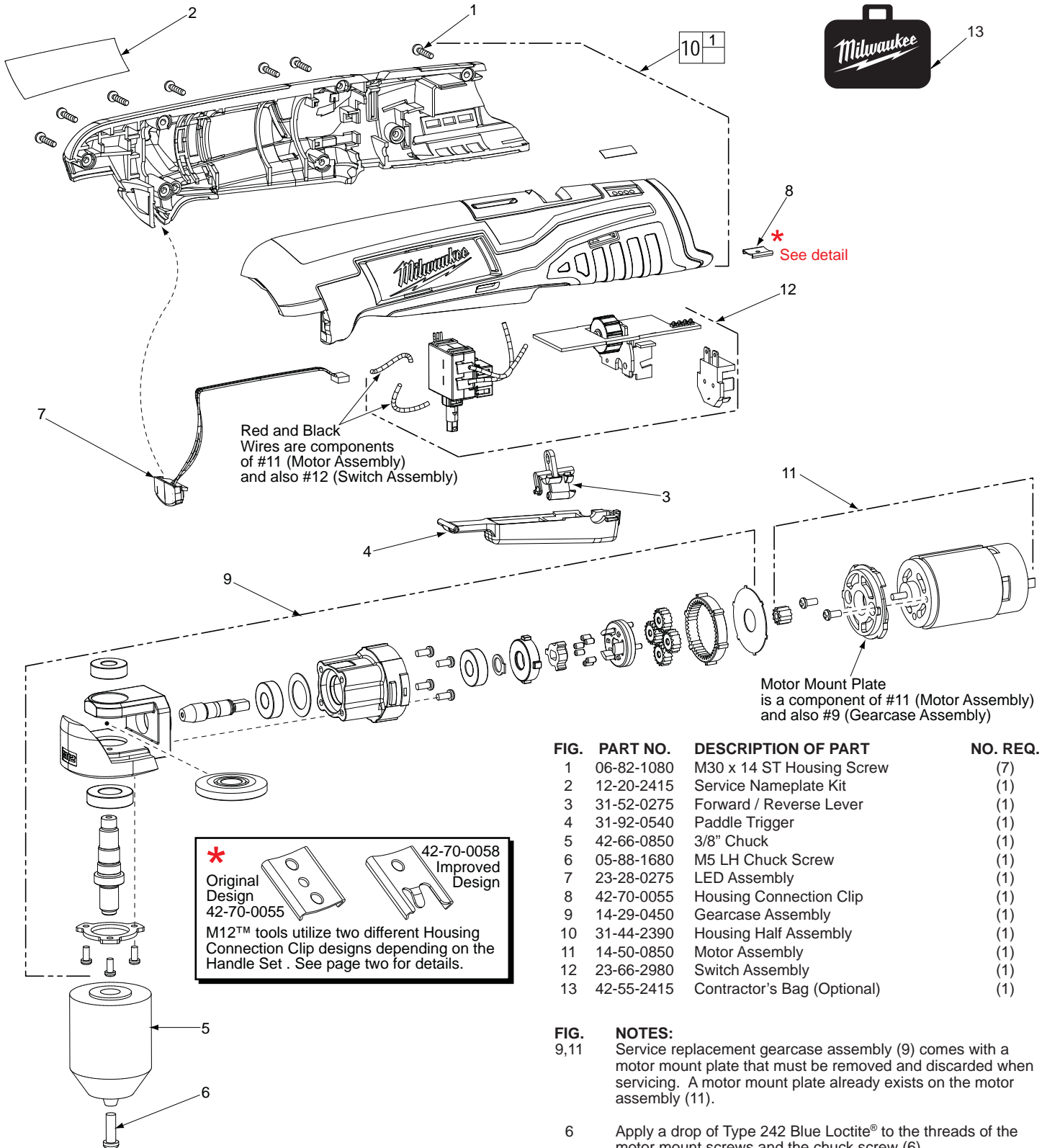
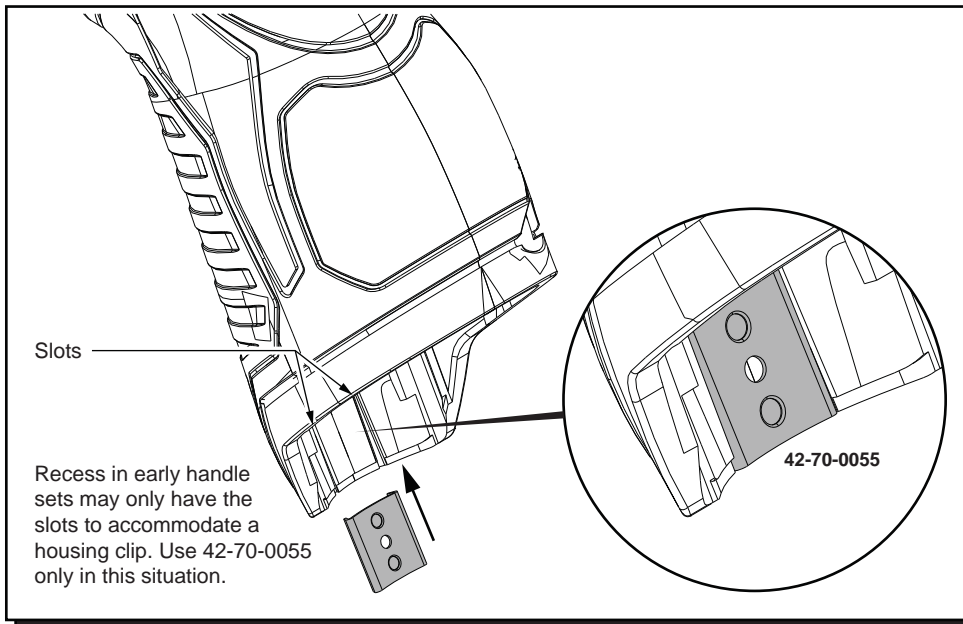
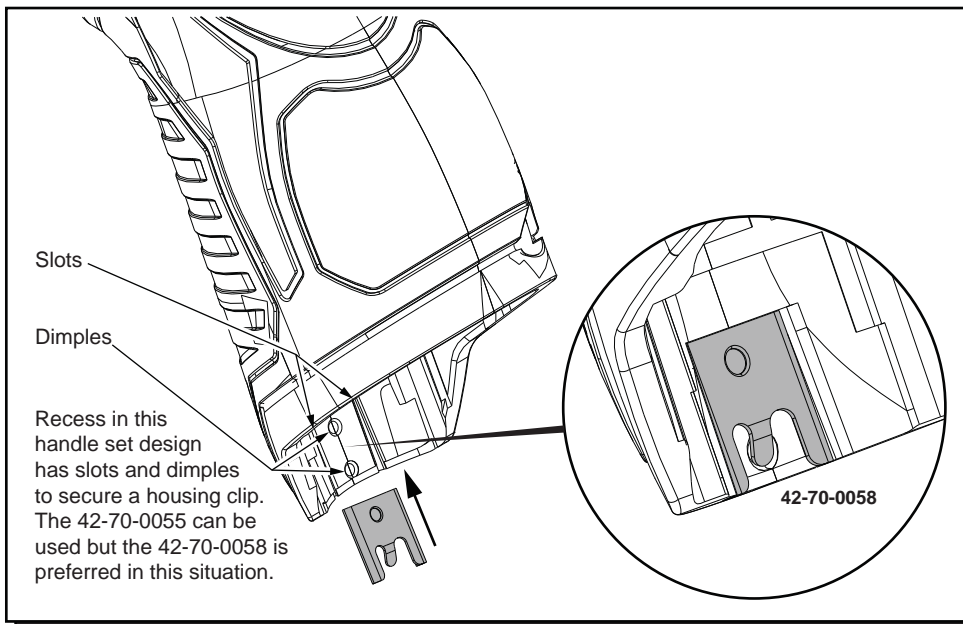


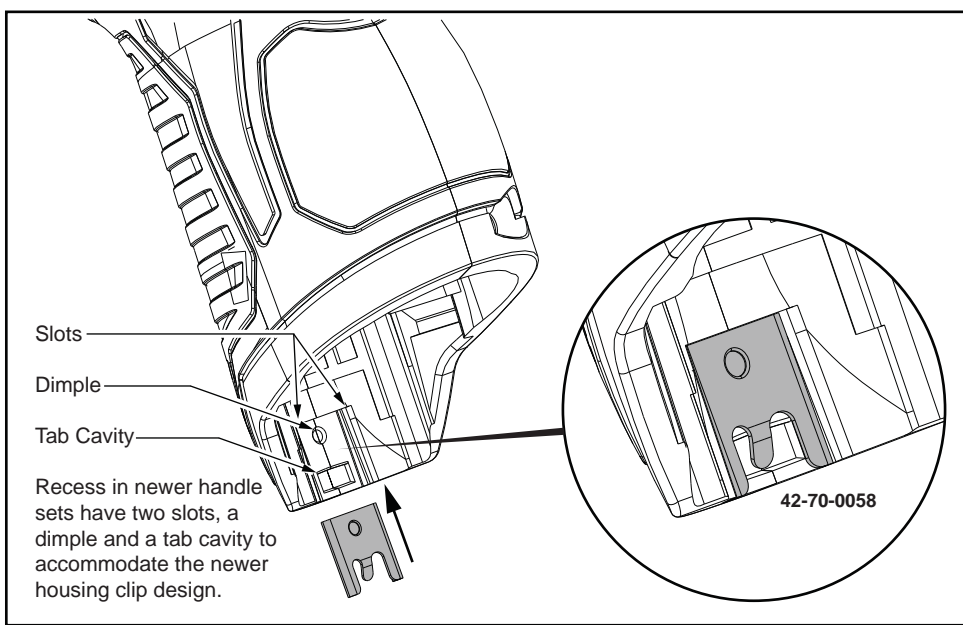
FIG.	PART NO.	DESCRIPTION OF PART	NO. REQ.
	1	06-82-1080 M30 x 14 ST Housing Screw	(7)
	2	12-20-2415 Service Nameplate Kit	(1)
	3	31-52-0275 Forward / Reverse Lever	(1)
	4	31-92-0540 Paddle Trigger	(1)
	5	42-66-0850 3/8" Chuck	(1)
	6	05-88-1680 M5 LH Chuck Screw	(1)
	7	23-28-0275 LED Assembly	(1)
	8	42-70-0055 Housing Connection Clip	(1)
	9	14-29-0450 Gearcase Assembly	(1)
	10	31-44-2390 Housing Half Assembly	(1)
	11	14-50-0850 Motor Assembly	(1)
	12	23-66-2980 Switch Assembly	(1)
	13	42-55-2415 Contractor's Bag (Optional)	(1)



Early M12™ Handle Sets utilize **Housing Connection Clip No. 42-70-0055**. Install this clip design by aligning the side rails of the clip with the two slots in the handle set. Gently push into place with the aid of a small flat blade screwdriver or a similar instrument. Be sure that the clip is properly seated in both slots and that the clip is flush to sub-flush to the end of the handle set. To remove the clip, use the same small flat blade screwdriver or a similar instrument and push the clip out of the handle set. If the clip is loose or will not stay in place, a needle nose pliers can be used to gently bend/pinch the side rails of the clip. If the clip is damaged do not use, replace with a new 42-70-0055 housing clip.

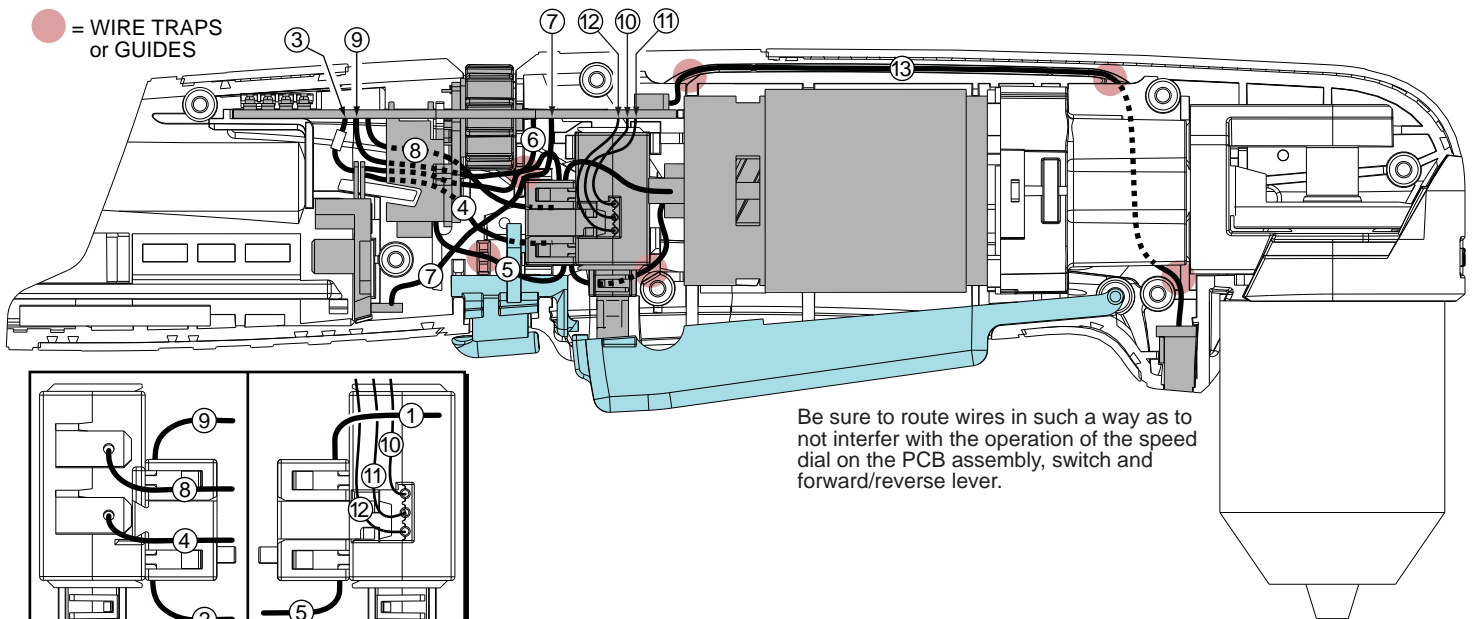


Updated M12™ Handle Sets utilize **Housing Connection Clips No. 42-70-0055 and 42-70-0058**. (The 42-70-0058 is a preferred upgrade). Install this clip design by aligning the side rails of the clip with the two slots in the handle set. Gently push into place with the aid of a small flat blade screwdriver or a similar instrument. Be sure that the clip is properly seated in both slots and that the tab of the clip snaps down in the round dimpled cavity of the handle set. Be sure that the clip is flush to sub-flush to the end of the handle set. To remove the clip, use the same small flat blade screwdriver or a similar instrument and lift up on the clip tab while pushing the clip out of the handle set. Use a needle nose pliers to gently rebend the clip tab if necessary. If the tab on the clip is damaged during this process and is loose or will not stay in place, replace with a new 42-70-0058 clip.

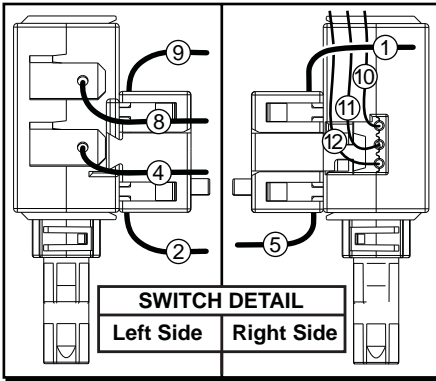


Newer M12™ Handle Sets utilize **Housing Connection Clip No. 42-70-0058**. Install this clip design by aligning the side rails of the clip with the two slots in the handle set. Gently push into place with the aid of a small flat blade screwdriver or a similar instrument. Be sure that the clip is properly seated in both slots and that the tab of the clip snaps down in the rectangular cavity of the handle set. Be sure that the clip is flush to sub-flush to the end of the handle set. To remove the clip, use the same small flat blade screwdriver or a similar instrument and lift the clip tab out of the cavity while pushing the clip out of the handle set. Use a needle nose pliers to gently rebend the clip tab if necessary. If the tab on the clip is damaged during this process and is loose or will not stay in place, replace with a new 42-70-0058 clip.

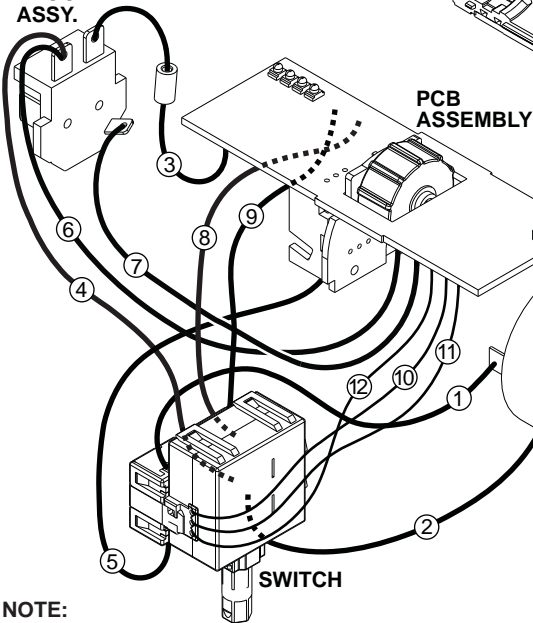
● = WIRE TRAPS or GUIDES



Be sure to route wires in such a way as to not interfere with the operation of the speed dial on the PCB assembly, switch and forward/reverse lever.



TERMINAL BLOCK ASSY.



NOTE:  
SWITCH ASSEMBLY  
(23-66-2980) CONSISTS OF:  
SWITCH, PC BOARD AND  
TERMINAL BLOCK ASSY.

GEARCASE ASSEMBLY

LEFT HANDLE HALF

LED ASSEMBLY

**WIRING SPECIFICATIONS**

Wire No.	Wire Color	Origin or Gauge	Length	Terminals, Connectors and 1 or 2 End Wire Preparation
1	Black	Motor Assy.	-----	Connect from Motor (pos. terminal) to Switch.
2	Red	Motor Assy.	-----	Connect from Motor (neg. terminal) to Switch.
3	Black	Switch Assy.	-----	Attached to the PC Board and Terminal Block.
4	Red	Switch Assy.	-----	Attached to the Switch and Terminal Block.
5	White	Switch Assy.	-----	Attached to the Switch and the PC Board.
6	Red	Switch Assy.	-----	Attached to the PC Board and Terminal Block.
7	White	Switch Assy.	-----	Attached to the PC Board and Terminal Block.
8	Black	Switch Assy.	-----	Attached to the Switch and the PC Board.
9	Red	Switch Assy.	-----	Attached to the Switch and the PC Board.
10	Yellow	Switch Assy.	-----	Attached to the Switch and the PC Board.
11	Blue	Switch Assy.	-----	Attached to the Switch and the PC Board.
12	Black	Switch Assy.	-----	Attached to the Switch and the PC Board.
13	-----	LED Assy.	-----	Attach connector end of 4 wire ribbon to PC Board.