

# DBI

## ALUMINUM DRAFT BARRIER



### DESIGN AND FUNCTIONALITY COMBINED

The DBI electric baseboard heater has clean, unobtrusive lines that are sure to meet the standards of decor aficionados. It can be wall mounted, placed on the floor or installed on a pedestal. Consider the DBI for use in offices, conference rooms, entryways, commercial buildings, schools or hospitals. Enjoy the benefits of heating efficiency without sacrificing aesthetics.

#### HIGH-QUALITY ALUMINUM

EXTRUDED ALUMINUM GRILLE WITH A THICKNESS EQUIVALENT TO 11 GAUGE

#### OFFERED IN THREE WATT DENSITIES

#### COMPACT SIZE

BLANK SECTIONS AVAILABLE FOR A CONTINUOUS LOOK

#### IDEAL FOR:

office, entryway, commercial space, school, hospital

#### COLOURS

- **standard:** white, soft white
- **luxury finish:** anodized aluminum (see price list)
- **ORORA (optional):** refer to [www.stelpro.com/en-CA/orora](http://www.stelpro.com/en-CA/orora)

#### FINISH

- epoxy-polyester powdercoat or anodized aluminum finish

#### MANUFACTURING

- 18-gauge steel cabinet
- extruded aluminum front panel with a thickness equivalent to 11 gauge
- front air intake and top air discharge (bottom air intake available on demand [BT])
- thermal protection with automatic reset
- full-length wireway
- pencil-proof openings of less than 1/4 in. (6.4 mm) prevent foreign objects from entering the unit

#### ELEMENT

- single tubular, stainless steel sheathed element with boxed aluminum fins for improved heat dissipation; the element is securely fastened at its centre, floating in nylon sleeves at each end, eliminating expansion and contraction noises

#### CONTROL

- wall thermostat (not included) – the use of an electronic thermostat is strongly recommended
- built-in tamper-proof thermostat accessible without removing front grille, installed in the left junction box only (optional)
- low voltage relay kit installed in the left or right junction box (optional)
- built-in thermostat with button installed in the left junction box only (optional)

#### INSTALLATION

- surface mounted
- wall or floor mounted with or without pedestal kit (optional)
- wiring compartments at both ends of unit
- blank sections (custom lengths) and accessories are available for a continuous look (optional)

#### WARRANTY

- three years

°STELPRO

°STELPRO reserves the right to modify descriptions, manufacturing specifications or prices without prior notice. No returns accepted on optional-colour products. For all the latest models and prices, please refer to our website at [www.stelpro.com](http://www.stelpro.com).



FC\_DBLE\_N\_270318

# TECHNICAL SPECIFICATIONS

DENSITY OF 250 W PER LINEAR FOOT		DENSITY OF 200 W PER LINEAR FOOT		DENSITY OF 150 W PER LINEAR FOOT		VOLTAGE	LENGTH		WEIGHT		PRICE	
CODE	WATTS	CODE	WATTS	CODE	WATTS	VOLTS	MM	IN.	KG	LB	W OR SW	CA
DBI6051	500	DBI6041	400	DBI6031	300	120	600	23 5/8	3.1	6.7	333.00	383.00
DBI6058	500	DBI6048	400	DBI6038	300	208	600	23 5/8	3.1	6.7	333.00	383.00
DBI6052	500	DBI6042	400	DBI6032	300	240	600	23 5/8	3.1	6.7	333.00	383.00
DBI6053	500	---	400	---	300	347	600	23 5/8	3.1	6.7	333.00	383.00
---	500	---	400	---	300	600	600	23 5/8	3.1	6.7	---	---
DBI9071	750	DBI9061	600	DBI9041	450	120	900	35 7/16	4.6	10.1	379.00	429.00
DBI9078	750	DBI9068	600	DBI9048	450	208	900	35 7/16	4.6	10.1	379.00	429.00
DBI9072	750	DBI9062	600	DBI9042	450	240	900	35 7/16	4.6	10.1	379.00	429.00
DBI9073	750	DBI9063	600	DBI9043	450	347	900	35 7/16	4.6	10.1	379.00	429.00
DBI9076	750	---	600	---	450	600	900	35 7/16	4.6	10.1	379.00	429.00
DBI12101	1000	DBI12081	800	DBI12061	600	120	1200	47 1/4	6.8	13.4	425.00	476.00
DBI12108	1000	DBI12088	800	DBI12068	600	208	1200	47 1/4	6.8	13.4	425.00	476.00
DBI12102	1000	DBI12082	800	DBI12062	600	240	1200	47 1/4	6.8	13.4	425.00	476.00
DBI12103	1000	DBI12083	800	DBI12063	600	347	1200	47 1/4	6.8	13.4	425.00	476.00
DBI12106	1000	DBI12086	800	---	600	600	1200	47 1/4	6.8	13.4	425.00	476.00
DBI15121	1250	DBI15101	1000	DBI15071	750	120	1500	59 1/16	7.6	16.8	471.00	522.00
DBI15128	1250	DBI15108	1000	DBI15078	750	208	1500	59 1/16	7.6	16.8	471.00	522.00
DBI15122	1250	DBI15102	1000	DBI15072	750	240	1500	59 1/16	7.6	16.8	471.00	522.00
DBI15123	1250	DBI15103	1000	DBI15073	750	347	1500	59 1/16	7.6	16.8	471.00	522.00
DBI15126	1250	DBI15106	1000	DBI15076	750	600	1500	59 1/16	7.6	16.8	471.00	522.00
DBI18151	1500	DBI18121	1200	DBI18091	900	120	1800	70 7/8	9.1	20.1	517.00	567.00
DBI18158	1500	DBI18128	1200	DBI18098	900	208	1800	70 7/8	9.1	20.1	517.00	567.00
DBI18152	1500	DBI18122	1200	DBI18092	900	240	1800	70 7/8	9.1	20.1	517.00	567.00
DBI18153	1500	DBI18123	1200	DBI18093	900	347	1800	70 7/8	9.1	20.1	517.00	567.00
DBI18156	1500	DBI18126	1200	DBI18096	900	600	1800	70 7/8	9.1	20.1	517.00	567.00
---	1750	DBI21141	1400	DBI21101	1050	120	2100	82 11/16	10.6	23.4	563.00	612.00
DBI21178	1750	DBI21148	1400	DBI21108	1050	208	2100	82 11/16	10.6	23.4	563.00	612.00
DBI21172	1750	DBI21142	1400	DBI21102	1050	240	2100	82 11/16	10.6	23.4	563.00	612.00
DBI21173	1750	DBI21143	1400	DBI21103	1050	347	2100	82 11/16	10.6	23.4	563.00	612.00
DBI21176	1750	DBI21146	1400	DBI21106	1050	600	2100	82 11/16	10.6	23.4	563.00	612.00
---	2000	---	1600	DBI24121	1200	120	2400	94 1/2	12.2	26.8	608.00	658.00
DBI24208	2000	DBI24168	1600	DBI24128	1200	208	2400	94 1/2	12.2	26.8	608.00	658.00
DBI24202	2000	DBI24162	1600	DBI24122	1200	240	2400	94 1/2	12.2	26.8	608.00	658.00
DBI24203	2000	DBI24163	1600	DBI24123	1200	347	2400	94 1/2	12.2	26.8	608.00	658.00
DBI24206	2000	DBI24166	1600	DBI24126	1200	600	2400	94 1/2	12.2	26.8	608.00	658.00
---	2250	---	1800	---	1350	120	2700	106 5/16	13.6	30.1	---	---
DBI27228	2250	DBI27188	1800	DBI27138	1350	208	2700	106 5/16	13.6	30.1	655.00	705.00
DBI27222	2250	DBI27182	1800	DBI27132	1350	240	2700	106 5/16	13.6	30.1	655.00	705.00
DBI27223	2250	DBI27183	1800	DBI27133	1350	347	2700	106 5/16	13.6	30.1	655.00	705.00
DBI27226	2250	DBI27186	1800	DBI27136	1350	600	2700	106 5/16	13.6	30.1	655.00	705.00
---	2500	---	2000	---	1500	120	2700	106 5/16	13.6	30.1	---	---
DBI27258	2500	DBI27208	2000	DBI27158	1500	208	2700	106 5/16	13.6	30.1	655.00	705.00
DBI27252	2500	DBI27202	2000	DBI27152	1500	240	2700	106 5/16	13.6	30.1	655.00	705.00
DBI27253	2500	DBI27203	2000	DBI27153	1500	347	2700	106 5/16	13.6	30.1	655.00	705.00
DBI27256	2500	DBI27206	2000	DBI27156	1500	600	2700	106 5/16	13.6	30.1	655.00	705.00

Add W for white, SW for soft white or CA for anodized aluminum (finish) (consult the optional colours chart or contact your \*STELPRO representative for all other colours).  
 --- not available



## ACCESSORIES

PRODUCT	DESCRIPTION	PRICE
DBIT12*	built-in tamper-proof single pole thermostat	109.00
DBIT22*	built-in tamper-proof double pole thermostat	183.00
DBIT12-BOUTON*	built-in single pole thermostat with knob	109.00
DBIRE153*	built-in electronic low voltage relay [15 A @ 120 V-347 V]	60.00
DBIRE156*	built-in electronic low voltage relay [6 A @ 600 V]	102.00
DBIRE153T*	built-in electronic low voltage relay c/w transformer 24 V [15 A @ 208 V-347 V]	78.00
DBIRM240T*	built-in electromechanical relay c/w transformer 24 V [5000 W @ 208 V/6000 W @ 240 V]	77.00
DBIRM347T*	built-in electromechanical relay c/w transformer 24 V [6000 W @ 347 V]	86.00
DBIRM347C*	built-in electromechanical relay w/o transformer 24 V [6000 W @ 120 V-347 V]	64.00
PK1*	pedestal kit (kit of two)	116.00
PK1CAP	anodized aluminum (paint) pedestal kit (kit of two)	131.00
DBIJS*	joiner strip (2 in. – 51 mm)	94.00
DBIJSCAP	anodized aluminum (paint) joiner strip (2 in. – 51 mm)	105.00
DBIIC90*	inside corner (back measures 5 7/8 in. (149 mm) long on each side)	330.00
DBIIC90CA	anodized aluminum (finish) inside corner (back measures 5 7/8" (149 mm) long on each side)	365.00
DBIOC90*	outside corner (back measures 5 7/8 in. (149 mm) long on each side)	330.00
DBIOC90CA	anodized aluminum (finish) outside corner (back measures 5 7/8 in. (149 mm) long on each side)	365.00
DBICB**	clean back (fully finished, no mounting holes or knockouts)	142.00
DBICBCAP*	anodized aluminum (paint) clean back (fully finished, no mounting holes or knockouts)	158.00
DBIBT*	bottom air intake/top air discharge	---

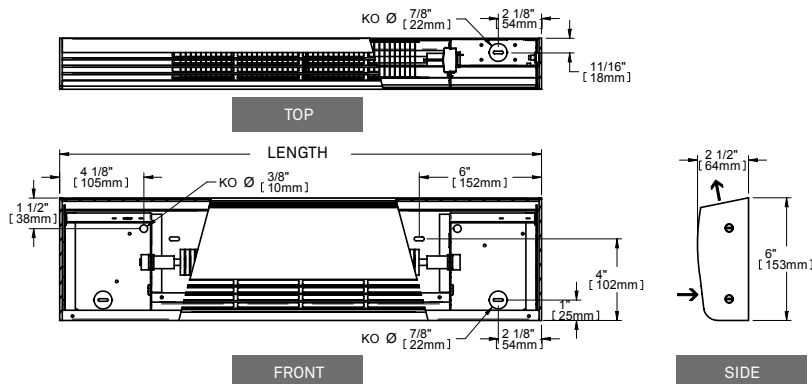
Electronic relays can receive a PWM (pulsed width modulation) or digital (on/off) signal.

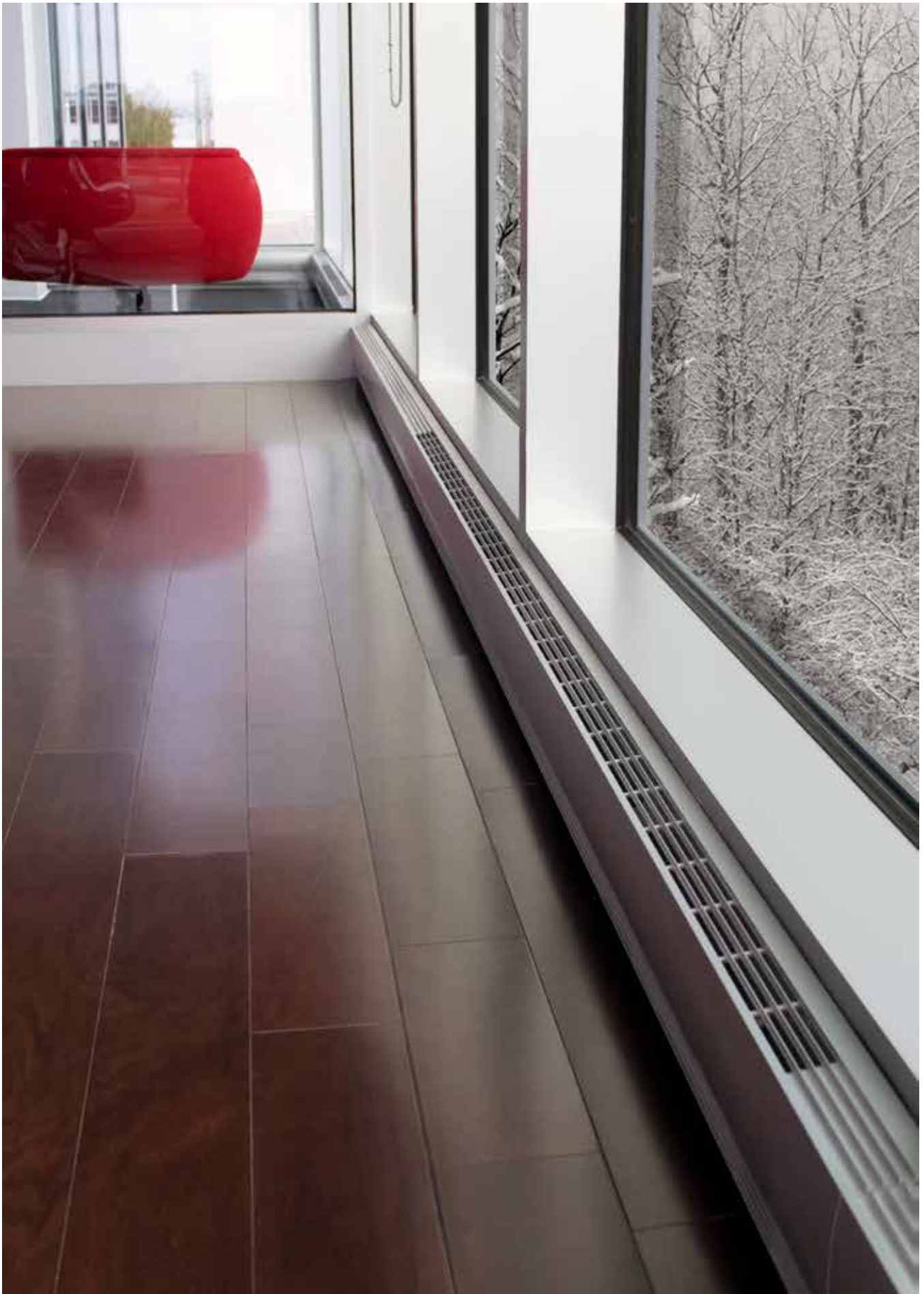
\* Add W for white or SW for soft white.

\* Factory installed

\* Factory installation is strongly recommended.

## TECHNICAL DRAWINGS





\*STELPRO reserves the right to modify descriptions, manufacturing specifications or prices without prior notice. No returns accepted on optional-colour products. For all the latest models and prices, please refer to our website at [www.stelpro.com](http://www.stelpro.com).