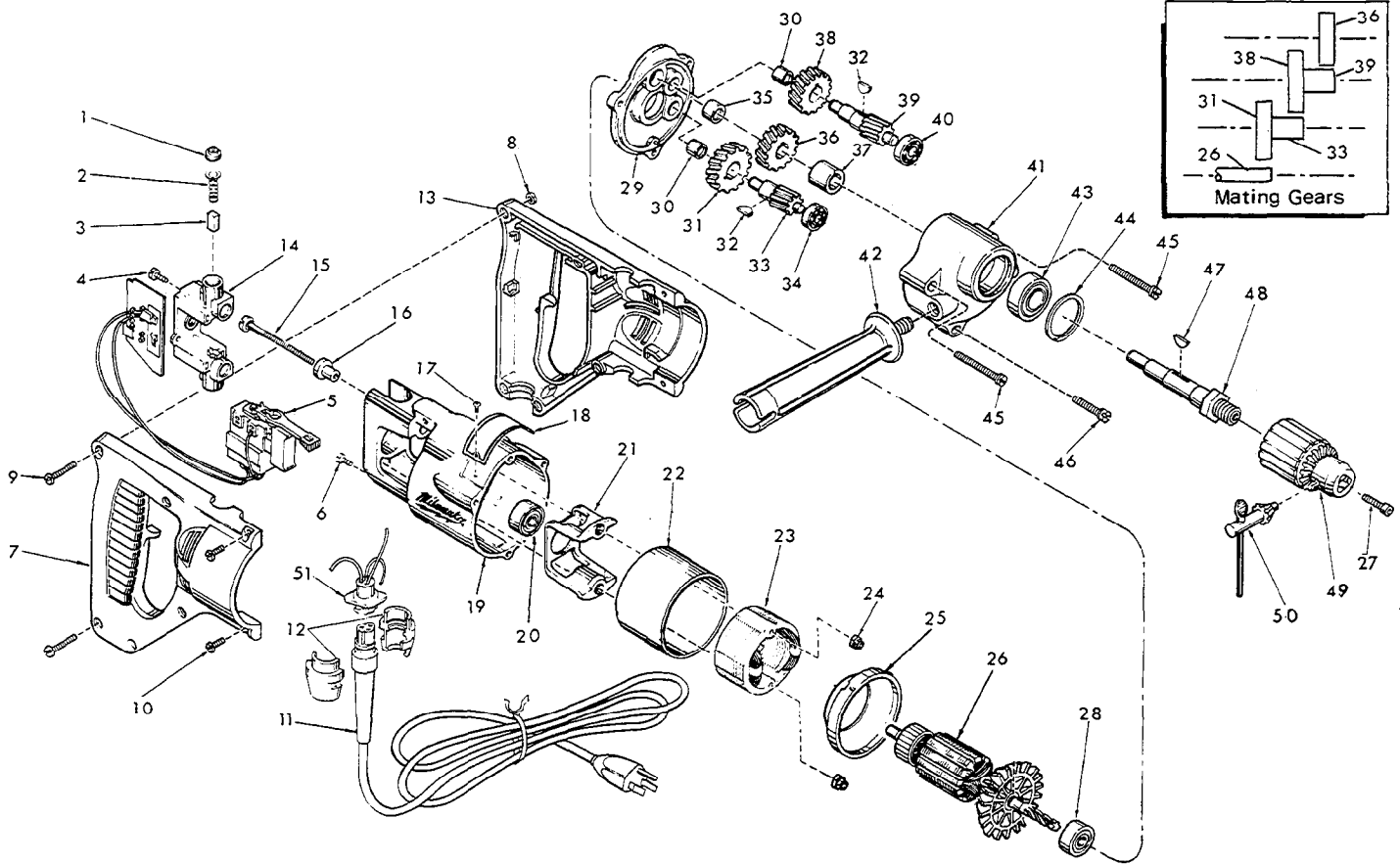




SERVICE PARTS LIST

BULLETIN NO.
54-08-1210

| | | | |
|--|------------------------------|----------------------------------|---------|
| SPECIFY CATALOG NO. AND SERIAL NO. WHEN ORDERING PARTS | | REVISED BULLETIN | DATE |
| 1/2" REVERSING DRILL | | | May '83 |
| CATALOG NO. 1107-1 | STARTING SERIAL NO. 629-1001 | WIRING INSTRUCTION 58-01-0248 | |
| CAT. NO. 1107-6 | START SER. NO. 629-1001 | BILINGUAL LABEL 10-98-6400 | |



| FIG. | PART NO. | DESCRIPTION OF PART | NO. REQ. | FIG. | PART NO. | DESCRIPTION OF PART | NO. REQ. |
|------|------------|-----------------------------------|----------|------|------------|-----------------------------------|----------|
| 1 | 23-44-0120 | Brush Retaining Screw | (2) | 28 | 02-04-0940 | Ball Bearing | (1) |
| 2 | 23-52-0160 | Brush Spring | (2) | 29 | 28-28-0662 | Diaphragm | (1) |
| 3 | 22-16-0250 | Carbon Brush | (2) | 30 | 02-50-1640 | Needle Bearing | (2) |
| 4 | 06-95-0116 | 6-32 x 5/8" Pan Hd. Taptite Screw | (2) | 31 | 32-40-1241 | Intermediate Gear | (1) |
| 5 | 23-66-1125 | Switch | (1) | 32 | 06-42-0800 | Woodruff Key | (2) |
| 6 | 06-95-5150 | Ground Screw | (1) | 33 | 36-66-2801 | Intermediate Shaft | (1) |
| 7 | 31-44-0630 | R.H. Half D Handle | (1) | 34 | 02-04-0640 | Ball Bearing | (1) |
| 8 | 06-55-0835 | 8-32 Hex Nut | (5) | 35 | 02-50-2110 | Needle Bearing | (1) |
| 9 | 06-81-0473 | 8-32 x 1" Pan Hd. Pozidriv Screw | (5) | 36 | 32-75-2061 | Spindle Gear | (1) |
| 10 | 06-95-0700 | 8-32 x 1/2" Pan Hd. Taptite Screw | (4) | 37 | 45-36-0210 | Spindle Gear Spacer | (1) |
| 11 | 48-76-3008 | (Includes Fig. No. 12) | (1) | 38 | 32-75-2041 | Spindle Gear | (1) |
| 12 | 44-40-0440 | Cord Nut | (2) | 39 | 36-66-4001 | Intermediate Shaft | (1) |
| 13 | 31-44-0640 | L.H. Half D Handle | (1) | 40 | 02-04-0820 | Ball Bearing | (1) |
| 14 | 22-22-0302 | Brush Holder Assembly | (1) | 41 | 28-14-0691 | Gear Case | (1) |
| 15 | 06-81-1055 | 8-32x2-3/16 Field Bolt | (2) | 42 | 43-62-0605 | Side Handle | (1) |
| 16 | 31-86-0120 | Insulating Spacer | (2) | 43 | 02-04-1560 | Ball Bearing | (1) |
| 17 | 06-85-0200 | 6x1/4 Rd. Hd. Type Z Screw | (2) | 44 | 34-80-2500 | Retaining Ring | (1) |
| 18 | 12-99-0030 | Nameplate | (1) | 45 | 06-81-6707 | 8-32x1-7/8 Fil. Hd. Sem | (2) |
| 19 | 28-50-6147 | Motor Housing | (1) | 46 | 06-81-6402 | 8-32x1-1/8 Fil. Hd. Sem | (1) |
| 20 | 02-04-0891 | Ball Bearing | (1) | 47 | 06-42-1600 | Woodruff Key | (1) |
| 21 | 31-55-0030 | Coil Shield | (1) | 48 | 38-50-3651 | Spindle | (1) |
| 22 | 23-16-0456 | Field Insulator | (1) | 49 | 48-66-1360 | 1/2" Chuck (Includes Fig. No. 50) | (1) |
| 23 | 18-30-0200 | 120 V. Field | (1) | 50 | 48-66-3280 | Chuck Key | (1) |
| 24 | 06-57-2975 | 8-32 Flexlock Hex Nut | (2) | 51 | 22-56-0391 | Pin Housing Assy. | (1) |
| 25 | 31-05-0050 | Baffle | (1) | 52 | 10-98-5987 | Warning Label (Not Shown) | (1) |
| 26 | 16-30-0310 | 120 V. Armature | (1) | | | Omit For Canadian Tools | |
| 27 | 06-75-3150 | 1/4-20x1 L.H. Skt. Hd. Cap Screw | (1) | 53 | 48-66-4040 | Key Holder (Not Shown) | (1) |