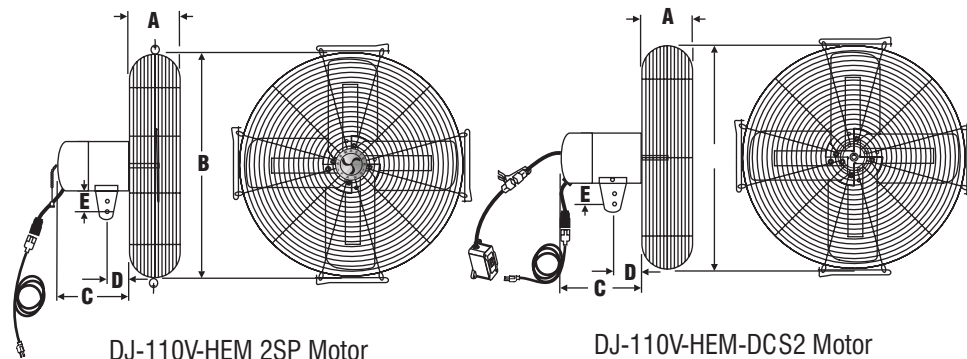


Heavy Duty Safety Yellow Air Circulators

115 V & 460 V



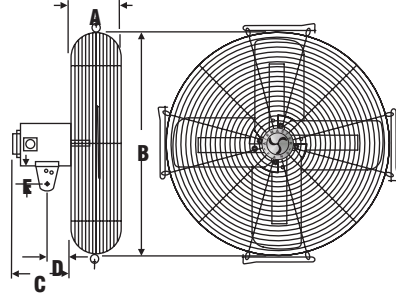
DJ-110V-HEM 2SP Motor

DJ-110V-HEM-DCS2 Motor with 2SPD Drop Cord Switch

FEATURES

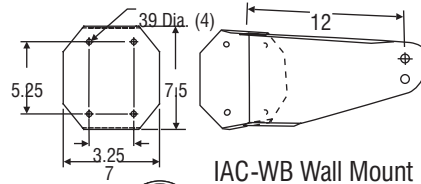
- Safety Yellow Color
- 6 Mounting Options
- Hinged Guard for Easy Cleaning
- Meets OSHA Safety Standards
- 5 Year Warranty
- 115V, 1/3 HP Totally Enclosed, 2 Speed, Ball Bearing Motor w/18' Cord & Plug

- Patented Modular End Dome on 115V motor
- 460V, Totally Enclosed, 1/4 HP 1 Speed, Ball Bearing Motor
- Designed for Automotive, Food Processing and General Factory Operations



DL-460V-M 3 Phase Non-Oscillating Motor

Note: cord & plug not supplied with 3 phase motors

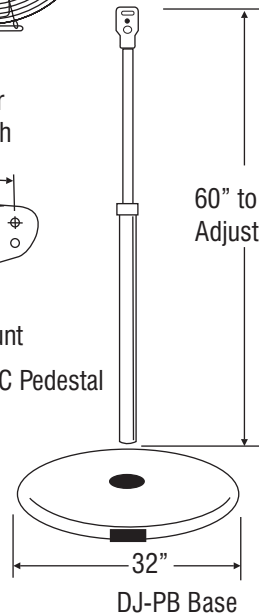


IAC-WB Wall Mount

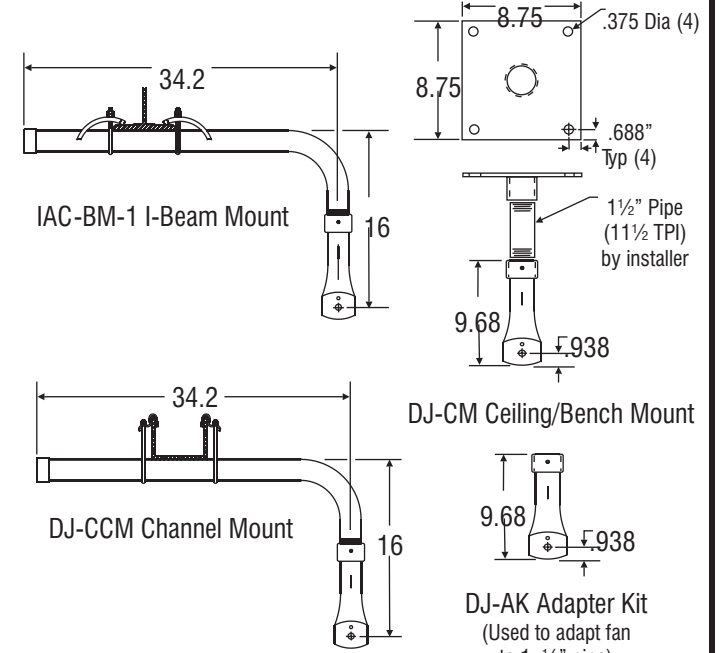
Safety Cable

(Included with overhead mounted fans.)

DJ-PC Pedestal



Motor Model	20" Fan		24" Fan		30" Fan		C	D	E
	A	B	A	B	A	B			
DJ-110V-HEM	9	25	9	25	9	25	8	2.5	2.5
DJ-110V-HEM-DCS2	9.24	33.45	9.24	33.45	9.24	33.45	8	2.5	2.5
DJ-460V-M	9.24	36	9.24	36	9.24	36	5.5	2.25	2.5



DJ-CCM Channel Mount

DJ-CM Ceiling/Bench Mount

DJ-AK Adapter Kit

(Used to adapt fan to 1 1/2" pipe)

FAN NO.	QTY.	MOTOR MODEL NO.	PROPELLER DIAMETER	CFM	RPM	HP	WT.	FAN MOUNT	ACCESSORIES AND REMARKS

Airmaster® Fan Company

1300 Falahee Road, Jackson, MI 49203 (517)764-2300 Fax: (517) 764-3838

www.airmasterfan.com