

CABINET HEATER

CBH SERIES

POWERFUL HEATER, IMPRESSIVE RESULTS

When you need a lot of high-efficiency heating, the CBH is the right choice. Its resistant coating is well-suited to all types of commercial spaces and other high-traffic areas. This forced-air cabinet heater features unparalleled durability. It is also extremely versatile, with the option of recessed, semi-recessed or surface mounted installation, and its durable steel casing. The CBH unit can be ceiling mounted when wall mounting is not an option. The CBH ensures powerful, even air flow as the fan is coupled directly to the motor. The option of connecting it to a ventilation duct makes it even more adaptable. The CBH is your assurance of reliable heating for years to come.



POWERFUL WITH BIG AIRFLOW

MULTIPLE INSTALLATION OPTIONS

RECESSED, SEMI-RECESSED, SURFACE MOUNTED
TO THE CEILING OR WALL

DURABLE

IDEAL FOR:

COMMERCIAL AREA, HOSPITAL, SHOPPING CENTRE, SCHOOL,
SPORTS ARENA

COLOURS

- standard: white, soft white
- ORORA (optional): denim blue, midnight blue, turquoise, moss green, canary yellow, red, orange, anodized aluminum paint, gravel gray, charcoal, espresso, black (refer to [page 8 of the catalogue](#))

FINISH

epoxy-polyester powdercoat

MANUFACTURING

- 18-gauge steel cabinet and 16-gauge steel front panel
- powerful motor with squirrel-cage blower and time-delay relay
- 1/15 hp (2 kW to 12 kW units); 1/5 hp (15 kW to 20 kW units)
- large variety of airflow configurations which are adaptable on the construction site
- thermal protection with automatic reset
- high intensity (factory setting)
- low intensity available when manufactured with high/low selection switch (optional)

ELEMENT

nichrome element producing instant heat

CONTROL

- high/low switch (heating and ventilation) (available from 4 kW)
- connection of multiple units to the same thermostat is possible with a relay kit without transformer (optional) and an external transformer (not provided)

INSTALLATION

- wall or ceiling mounted
- surface mounted
- recessed or semi-recessed with 4-piece trim frame (optional)

ACCESSORIES

PRODUCT	DESCRIPTION	PRICE
CBHT1	built-in tamper-proof single pole thermostat	115.00
CBHFS*	fan switch	209.00
CBHMS*	on/off switch	131.00
CBHHL*	high/low switch (available from 4 kW)	229.00
CBHDC*	duct collar	426.00
CBHTB24*	4-piece trim frame (24 in. – 610 mm units)	129.00
CBHTB36*	4-piece trim frame (36 in. – 914 mm units)	135.00
CBHTB48*	4-piece trim frame (48 in. – 1219 mm units)	141.00
CBHSB24*	sub-base (24 in. – 610 mm units)	134.00
CBHSB36*	sub-base (36 in. – 914 mm units)	138.00
CBHSB48*	sub-base (48 in. – 1219 mm units)	144.00
CBHCB24**	clean back (fully finished, no mounting holes or knockouts) (24 in. – 610 mm units)	409.00
CBHCB36**	clean back (fully finished, no mounting holes or knockouts) (36 in. – 914 mm units)	438.00
CBHCB48**	clean back (fully finished, no mounting holes or knockouts) (48 in. – 1219 mm units)	469.00
CBHC24RX*	relay kit without transformer 24 V	95.50
CBHDIS 80A*	built-in disconnect switch [80 A]	152.00

* Add W for white or SW for soft white

** Factory installed



TECHNICAL SPECIFICATIONS

BUILT-IN THERMOSTAT		240V CONTROL		24 V CONTROL		POWER	
CODE	PRICE	CODE	CODE	PRICE	VOLTS	KW	BTU/H
24 IN. (610 MM) MODELS (2 KW TO 6 KW)							
CBH0281CT	2968.00	CBH0281C	CBH0281C24	2854.00	208	2	6824
CBH0283CT*	2968.00	CBH0283C*	CBH0283C24*	2854.00	208	2	6824
CBH0221CT	2968.00	CBH0221C	CBH0221C24	2854.00	240	2	6824
CBH0271CT	2968.00	CBH0271C	CBH0271C24	2854.00	277	2	6824
CBH0231CT	2968.00	CBH0231C	CBH0231C24	2854.00	347	2	6824
CBH0251CT	2968.00	CBH0251C	CBH0251C24	2854.00	480	2	6824
CBH0253CT*	2968.00	CBH0253C*	CBH0253C24*	2854.00	480	2	6824
CBH0261CT	2968.00	CBH0261C	CBH0261C24	2854.00	600	2	6824
CBH0263CT*	2968.00	CBH0263C*	CBH0263C24*	2854.00	600	2	6824
CBH0381CT	3138.00	CBH0381C	CBH0381C24	3024.00	208	3	10236
CBH0383CT*	3138.00	CBH0383C*	CBH0383C24*	3024.00	208	3	10236
CBH0321CT	3138.00	CBH0321C	CBH0321C24	3024.00	240	3	10236
CBH0371CT	3138.00	CBH0371C	CBH0371C24	3024.00	277	3	10236
CBH0331CT	3138.00	CBH0331C	CBH0331C24	3024.00	347	3	10236
CBH0351CT	3138.00	CBH0351C	CBH0351C24	3024.00	480	3	10236
CBH0353CT*	3138.00	CBH0353C*	CBH0353C24*	3024.00	480	3	10236
CBH0361CT	3138.00	CBH0361C	CBH0361C24	3024.00	600	3	10236
CBH0363CT*	3138.00	CBH0363C*	CBH0363C24*	3024.00	600	3	10236
CBH0481CT	3259.00	CBH0481C	CBH0481C24	3144.00	208	4	13648
CBH0483CT*	3259.00	CBH0483C*	CBH0483C24*	3144.00	208	4	13648
CBH0421CT	3259.00	CBH0421C	CBH0421C24	3144.00	240	4	13648
CBH0471CT	3259.00	CBH0471C	CBH0471C24	3144.00	277	4	13648
CBH0431CT	3259.00	CBH0431C	CBH0431C24	3144.00	347	4	13648
CBH0451CT	3259.00	CBH0451C	CBH0451C24	3144.00	480	4	13648
CBH0453CT*	3259.00	CBH0453C*	CBH0453C24*	3144.00	480	4	13648
CBH0461CT	3259.00	CBH0461C	CBH0461C24	3144.00	600	4	13648
CBH0463CT*	3259.00	CBH0463C*	CBH0463C24*	3144.00	600	4	13648
CBH0581CT	3521.00	CBH0581C	CBH0581C24	3406.00	208	5	17060
CBH0583CT*	3521.00	CBH0583C*	CBH0583C24*	3406.00	208	5	17060
CBH0521CT	3521.00	CBH0521C	CBH0521C24	3406.00	240	5	17060
CBH0571CT	3521.00	CBH0571C	CBH0571C24	3406.00	277	5	17060
CBH0531CT	3521.00	CBH0531C	CBH0531C24	3406.00	347	5	17060
CBH0551CT	3521.00	CBH0551C	CBH0551C24	3406.00	480	5	17060
CBH0553CT*	3521.00	CBH0553C*	CBH0553C24*	3406.00	480	5	17060
CBH0561CT	3521.00	CBH0561C	CBH0561C24	3406.00	600	5	17060
CBH0563CT*	3521.00	CBH0563C*	CBH0563C24*	3406.00	600	5	17060
CBH0681CT	3555.00	CBH0681C	CBH0681C24	3440.00	208	6	20472
CBH0683CT*	3555.00	CBH0683C*	CBH0683C24*	3440.00	208	6	20472
CBH0621CT	3555.00	CBH0621C	CBH0621C24	3440.00	240	6	20472
CBH0671CT	3555.00	CBH0671C	CBH0671C24	3440.00	277	6	20472
CBH0631CT	3555.00	CBH0631C	CBH0631C24	3440.00	347	6	20472
CBH0651CT	3555.00	CBH0651C	CBH0651C24	3440.00	480	6	20472
CBH0653CT*	3555.00	CBH0653C*	CBH0653C24*	3440.00	480	6	20472
CBH0661CT	3555.00	CBH0661C	CBH0661C24	3440.00	600	6	20472
CBH0663CT*	3555.00	CBH0663C*	CBH0663C24*	3440.00	600	6	20472

Add W for white or SW for soft white (see [page 8 of the catalogue](#) for optional colours and contact your *STELPRO representative for all other colours)
* Three-phase unit

HEAT RISE

UNITS		HEAT RISE	
KW		°C	°F
2		21	38
3		29	53
4		37	67
5		44	80
6		52	93
8		36	65
10		37	67
12		48	86
15		33	59
18		42	76
20		54	97

TECHNICAL SPECIFICATIONS (CONT'D)

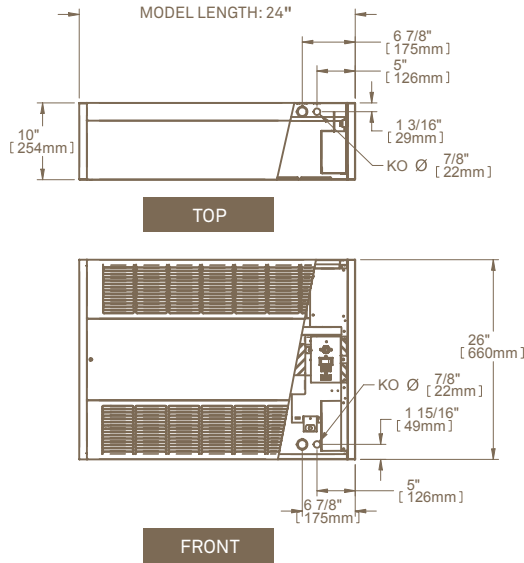
BUILT-IN THERMOSTAT		240V CONTROL		24 V CONTROL		POWER	
CODE	PRICE	CODE	CODE	PRICE	VOLTS	KW	BTU/H
36 IN. (914 MM) MODELS (8 KW TO 12 KW)							
CBH0881CT	3929.00	CBH0881C	CBH0881C24	3814.00	208	8	27297
CBH0883CT*	3929.00	CBH0883C*	CBH0883C24*	3814.00	208	8	27297
CBH0821CT	3929.00	CBH0821C	CBH0821C24	3814.00	240	8	27297
CBH0871CT	3929.00	CBH0871C	CBH0871C24	3814.00	277	8	27297
CBH0831CT	3929.00	CBH0831C	CBH0831C24	3814.00	347	8	27297
CBH0851CT	3929.00	CBH0851C	CBH0851C24	3814.00	480	8	27297
CBH0853CT*	3929.00	CBH0853C*	CBH0853C24*	3814.00	480	8	27297
CBH0861CT	3929.00	CBH0861C	CBH0861C24	3814.00	600	8	27297
CBH0863CT*	3929.00	CBH0863C*	CBH0863C24*	3814.00	600	8	27297
CBH1081CT	4141.00	CBH1081C	CBH1081C24	4026.00	208	10	34121
CBH1083CT*	4141.00	CBH1083C*	CBH1083C24*	4026.00	208	10	34121
CBH1021CT	4141.00	CBH1021C	CBH1021C24	4026.00	240	10	34121
CBH1071CT	4141.00	CBH1071C	CBH1071C24	4026.00	277	10	34121
CBH1031CT	4141.00	CBH1031C	CBH1031C24	4026.00	347	10	34121
CBH1051CT	4141.00	CBH1051C	CBH1051C24	4026.00	480	10	34121
CBH1053CT*	4141.00	CBH1053C*	CBH1053C24*	4026.00	480	10	34121
CBH1061CT	4141.00	CBH1061C	CBH1061C24	4026.00	600	10	34121
CBH1063CT*	4141.00	CBH1063C*	CBH1063C24*	4026.00	600	10	34121
CBH1283CT*	4325.00	CBH1283C*	CBH1283C24*	4211.00	208	12	40945
CBH1221CT	4325.00	CBH1221C	CBH1221C24	4211.00	240	12	40945
CBH1271CT	4325.00	CBH1271C	CBH1271C24	4211.00	277	12	40945
CBH1231CT	4325.00	CBH1231C	CBH1231C24	4211.00	347	12	40945
CBH1253CT*	4325.00	CBH1253C*	CBH1253C24*	4211.00	480	12	40945
CBH1263CT*	4325.00	CBH1263C*	CBH1263C24*	4211.00	600	12	40945
48 IN. (1219 MM) MODELS (15 KW TO 20 KW)							
CBH1583CT*	6814.00	CBH1583C*	CBH1583C24*	6700.00	208	15	51182
CBH1521CT	6814.00	CBH1521C	CBH1521C24	6700.00	240	15	51182
CBH1571CT	6814.00	CBH1571C	CBH1571C24	6700.00	277	15	51182
CBH1531CT	6814.00	CBH1531C	CBH1531C24	6700.00	347	15	51182
CBH1553CT*	6814.00	CBH1553C*	CBH1553C24*	6700.00	480	15	51182
CBH1563CT*	6814.00	CBH1563C*	CBH1563C24*	6700.00	600	15	51182
CBH1883CT	7064.00	CBH1883C	CBH1883C24	6950.00	208	18	61418
CBH1821CT	7064.00	CBH1821C	CBH1821C24	6950.00	240	18	61418
CBH1871CT	7064.00	CBH1871C	CBH1871C24	6950.00	277	18	61418
CBH1831CT	7064.00	CBH1831C	CBH1831C24	6950.00	347	18	61418
CBH1853CT	7064.00	CBH1853C	CBH1853C24	6950.00	480	18	61418
CBH1863CT	7064.00	CBH1863C	CBH1863C24	6950.00	600	18	61418
CBH2083CT*	7423.00	CBH2083C*	CBH2083C24*	7308.00	208	20	68242
CBH2021CT	7423.00	CBH2021C	CBH2021C24	7308.00	240	20	68242
CBH2071CT	7423.00	CBH2071C	CBH2071C24	7308.00	277	20	68242
CBH2031CT	7423.00	CBH2031C	CBH2031C24	7308.00	347	20	68242
CBH2053CT*	7423.00	CBH2053C*	CBH2053C24*	7308.00	480	20	68242
CBH2063CT*	7423.00	CBH2063C*	CBH2063C24*	7308.00	600	20	68242

AIRFLOW AND WEIGHT

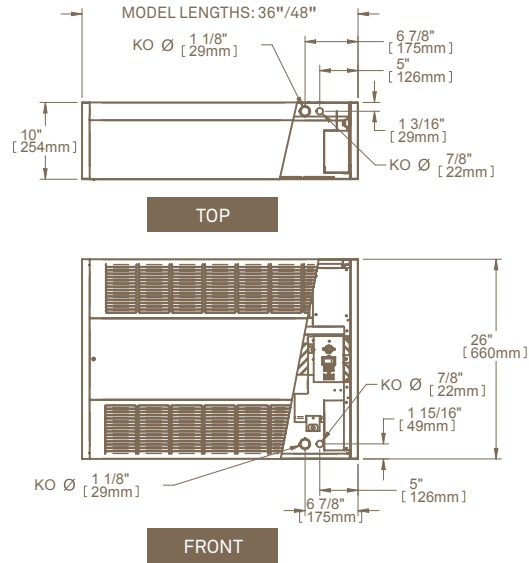
UNITS		AIRFLOW		WEIGHT	
KW		CFM		KG	LB
FROM 2 TO 6		300		34.9	77
FROM 8 TO 12		600		43	95
FROM 15 TO 20		1000		50.7	112

TECHNICAL DRAWINGS

2 KW TO 6 KW UNITS

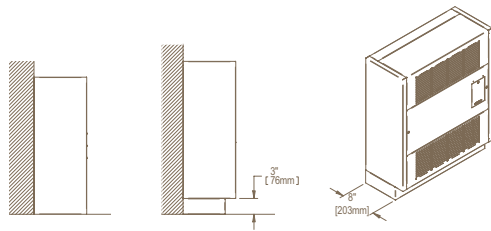


8 KW TO 20 KW UNITS



INSTALLATION

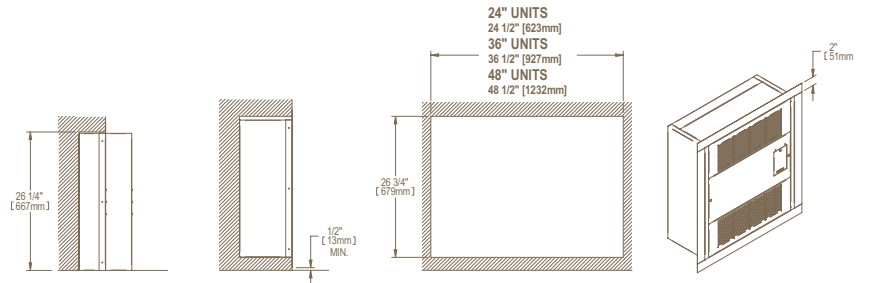
SURFACE MOUNTED



SURFACE MOUNTED

SUB-BASE MOUNTING

RECESSED OR SEMI-RECESSED WITH 4-PIECE TRIM FRAME (OPTIONAL)



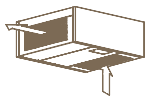
SEMI-RECESSED

RECESSED

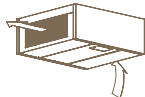
WALL OPENING

TRIM FRAME

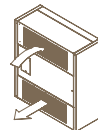
FT



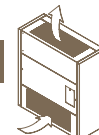
BT



FF



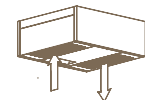
FT



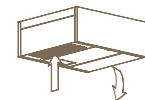
BT



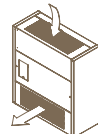
FF



FB



TF



FF



BF



SEVERAL AIRFLOW CONFIGURATIONS ARE POSSIBLE AND ADAPTABLE ON CONSTRUCTION SITE
F = FRONT, T = TOP, B = BOTTOM