

# Dialight



**Vigilant® LED High Bay - 45,000 - 60,000 lumens - UL / CSA**  
for Indoor and Outdoor Industrial Applications

# On when it matters most.

---

Products and solutions that protect your business





## Features & Benefits

- L70 rated for >125,000 hours @ 25°C ambient
- 10 year full performance warranty
- Industry best efficiency and weight
- Precision optics for high mounting heights
- True 1 for 1 replacement for 1,000W HID
- Low glare
- Temperature compensation technology for long life
- One man installation

## Application

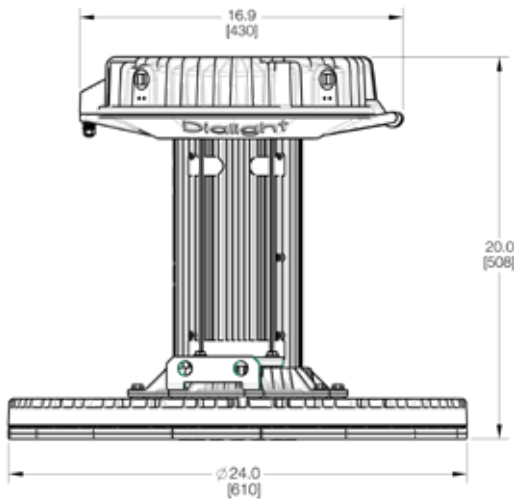
At 125 lumens per Watt, Dialight's new 60,000 lumen industrial LED High Bay revolutionizes the world of LED lighting and is by far the most innovative LED fixture available today. With a market-leading 10 year full performance warranty, the 60,000lm High Bay utilizes cutting-edge optical and electrical design to provide for significantly reduced glare and superior light distribution.

# Vigilant® LED High Bay - 42,000 - 60,000lm - UL / CSA

## Standard Models



Patent pending



Dimensions in inches [mm]

### Certifications & Ratings

- UL 1598/A (wet locations)
- CSA 22 #250 (wet locations)
- IP66
- NEMA 4X

### Mechanical Information:

#### Fixture weight:

120 - 277V AC models: 59 lbs  
347 / 480V AC models: 75 lbs

#### Shipping weight:

120 - 277V AC models: 73 lbs  
347 / 480V AC models: 90 lbs

Note that the wire box is installed separately from the housing. This allows single installer for fixtures.

120-277V wire box: 6.6 lbs (3 kg) [mount first]  
347 / 480V wire box: 22.6 lbs (10.3 kg) [mount first]  
Light fixture (base): 52.4 lbs (23.7 kg) [mount last]

**Mounting:** (1) 3/4" NPT - top  
(4) 3/4" NPT - sides

### Electrical Specifications:

**Operating Voltage:** 120 - 277V AC, 50/60Hz  
347 / 480V AC, 50/60Hz

**Total system power consumption:** See table

**Operating Temp:** -40°F to +149°F (-40°C to +65°C)

**Harmonics:** IEC 61000-3-2

**Noise requirement /EMC:** FCC Title 47, Subpart B, Section 15, class A device. RF Immunity; 10V/m, 80MHz-1GHz

**Transient protection:** 6kV/3kA combination wave, as per IEEE C62.41, line-line and line-ground

**THD:** <20%

**Power Factor:** > 0.9

### Construction:

**Housing:** Copper free aluminum

**Finish:** Superior dual coat finish  
- Sealed polyester topcoat  
- Chemical-resistant epoxy primer

**Lens :** Tempered glass, Acrylic, Polycarbonate

### Photometric Information:

**CRI:** 75

**CCT:** 5000K (cool white)  
4000K (neutral white)

All values typical unless otherwise stated (tolerance +/- 10%)

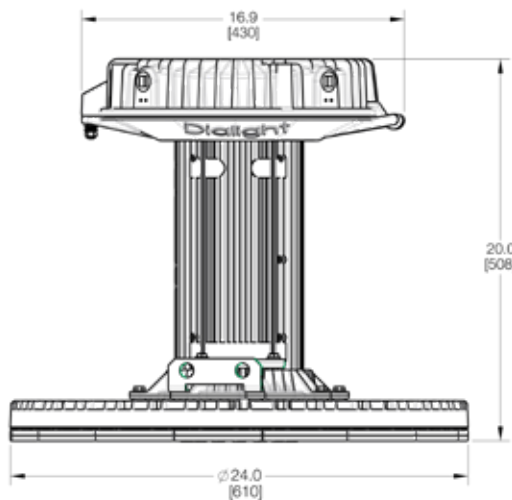
<sup>1</sup>For information on chemical compatibility, please follow this link to reference Dialight's Chemical Compatibility Guide: [www.dialight.com/pubs/MDTFCHEMRFLX001.PDF](http://www.dialight.com/pubs/MDTFCHEMRFLX001.PDF)

# Vigilant® LED High Bay - 42,000 - 60,000lm - UL / CSA

## Variable Dimming Models



Patent pending



Dimensions in inches [mm]

### Features & Benefits

- Dimming cabling independent of fixture wiring
- Multiple High Bays can be connected to the same dimmer

### Mechanical Information:

#### Fixture weight:

120 - 277V AC models:	63 lbs
347 / 480V AC models:	79 lbs

#### Shipping weight:

120 - 277V AC models:	77 lbs
347 / 480V AC models:	94 lbs

Note that the wire box is installed separately from the housing. This allows single installer for fixtures.

120-277V wire box:	6.6 lbs (3 kg) [mount first]
347 / 480V wire box:	22.6 lbs (10.3 kg) [mount first]
Light fixture (base):	56.4 lbs (25.6 kg) [mount last]

#### Mounting:

- (1) 3/4" NPT - top  
(4) 3/4" NPT - sides

### Variable Dimming:

**Variable Dimming Cable:** Two conductor cable

**Power Cable:** Three conductor cable

**Variable Dimming Control:** 0-10V DC

**Dimming Range:** 10V DC = 100% light output  
0V DC = 15% light output

### Electrical Specifications:

**Operating Voltage:** 120 - 277V AC, 50/60Hz  
347 / 480V AC, 50/60Hz

**Total system power consumption:** See table

**Operating Temp:** -40°F to +149°F (-40°C to +65°C)

**Harmonics:** IEC 61000-3-2

**Noise requirement /EMC:** FCC Title 47, Subpart B, Section 15, class A device. RF Immunity; 10V/m, 80MHz-1GHz

**Transient protection:** 6kV/3kA combination wave, as per IEEE C62.41, line-line and line-ground

**THD:** <20%

**Power Factor:** > 0.9

### Construction:

**Housing:** Copper free aluminum

**Finish:** Superior dual coat finish  
- Sealed polyester topcoat  
- Chemical-resistant epoxy primer

**Lens:** Tempered glass, Acrylic, Polycarbonate

### Photometric Information:

**CRI:** 75

**CCT:** 5000K (cool white)  
4000K (neutral white)

All values typical unless otherwise stated (tolerance +/- 10%)

For information on chemical compatibility, please follow this link to reference Dialight's Chemical Compatibility Guide: [www.dialight.com/pubs/MDTFCHEMRFLX001.PDF](http://www.dialight.com/pubs/MDTFCHEMRFLX001.PDF)

# Vigilant® LED High Bay - 42,000 - 60,000lm - UL / CSA

## Options and Accessories



### H6XCAB72

- 84" stainless steel safety rope

### H6XCAB60

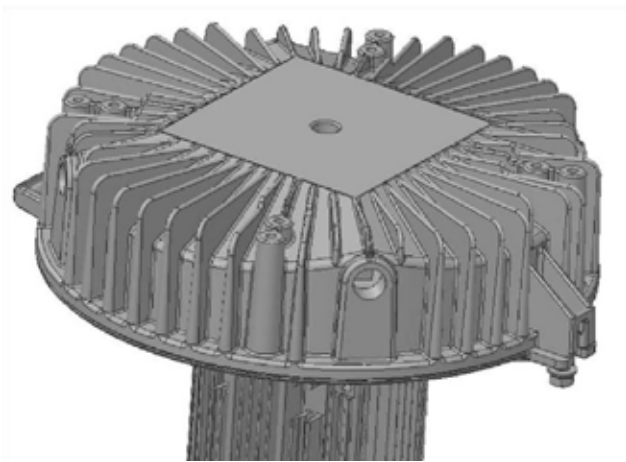
- 72" stainless steel safety rope



### H6X-H

- Hook

Top hat



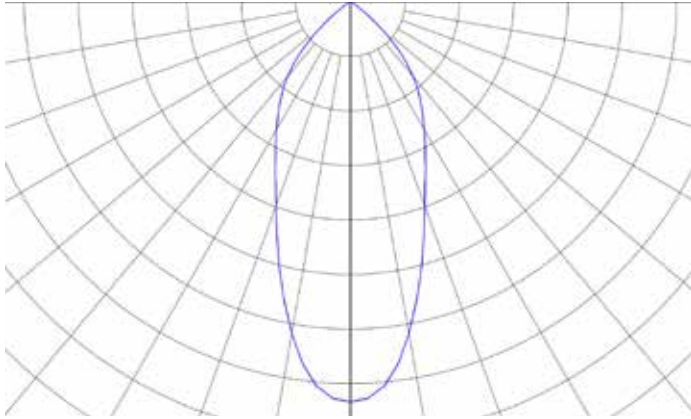
Top hat hinge



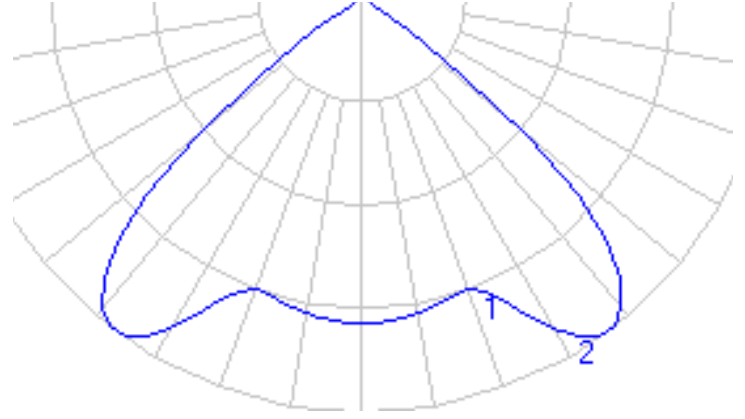
# Vigilant® LED High Bay - 42,000 - 60,000lm - UL / CSA

## Light Distribution Pattern

Narrow pattern



Medium pattern



# Vigilant® LED High Bay - 42,000 - 60,000lm - UL / CSA

## Standard Models Ordering Information

Part Number	Fixture Lumen	Watt	lm/W	Warranty	Voltage	CCT	Lens	Optical Pattern
Standard Models - 120 - 277V AC Models								
H6UGNC44N-SNNG	60,000	480	125	10yr	120 - 277V AC	5000K (cool white)	Tempered glass	Narrow
H6UGMC44N-SNNG	60,000	480	125	10yr	120 - 277V AC	5000K (cool white)	Tempered glass	Medium
H6U1NC44N-SNNG	57,500	480	119	10yr	120 - 277V AC	5000K (cool white)	Acrylic	Narrow
H6U1MC44N-SNNG	57,500	480	119	10yr	120 - 277V AC	5000K (cool white)	Acrylic	Medium
H6U2NC44N-SNNG	56,500	480	117	10yr	120 - 277V AC	5000K (cool white)	Polycarbonate	Narrow
H6U2MC44N-SNNG	56,500	480	117	10yr	120 - 277V AC	5000K (cool white)	Polycarbonate	Medium
H6UGNC4WN-SNNG	45,000	360	125	10yr	120 - 277V AC	5000K (cool white)	Tempered glass	Narrow
H6UGMC4WN-SNNG	45,000	360	125	10yr	120 - 277V AC	5000K (cool white)	Tempered glass	Medium
H6U1NC4WN-SNNG	43,250	360	120	10yr	120 - 277V AC	5000K (cool white)	Acrylic	Narrow
H6U1MC4WN-SNNG	43,250	360	120	10yr	120 - 277V AC	5000K (cool white)	Acrylic	Medium
H6U2NC4WN-SNNG	42,500	360	118	10yr	120 - 277V AC	5000K (cool white)	Polycarbonate	Narrow
H6U2MC4WN-SNNG	42,500	360	118	10yr	120 - 277V AC	5000K (cool white)	Polycarbonate	Medium
Standard Models - 347V AC Models								
H6UGNC54N-SNNG	60,000	520	115	10yr	347V AC	5000K (cool white)	Tempered glass	Narrow
H6UGMC54N-SNNG	60,000	520	115	10yr	347V AC	5000K (cool white)	Tempered glass	Medium
H6U1NC54N-SNNG	57,500	520	110	10yr	347V AC	5000K (cool white)	Acrylic	Narrow
H6U1MC54N-SNNG	57,500	520	110	10yr	347V AC	5000K (cool white)	Acrylic	Medium
H6U2NC54N-SNNG	56,500	520	110	10yr	347V AC	5000K (cool white)	Polycarbonate	Narrow
H6U2MC54N-SNNG	56,500	520	109	10yr	347V AC	5000K (cool white)	Polycarbonate	Medium
H6UGNC5WN-SNNG	45,000	380	118	10yr	347V AC	5000K (cool white)	Tempered glass	Narrow
H6UGMC5WN-SNNG	45,000	380	118	10yr	347V AC	5000K (cool white)	Tempered glass	Medium
H6U1NC5WN-SNNG	43,250	380	113	10yr	347V AC	5000K (cool white)	Acrylic	Narrow
H6U1MC5WN-SNNG	43,250	380	113	10yr	347V AC	5000K (cool white)	Acrylic	Medium
H6U2NC5WN-SNNG	42,500	380	111	10yr	347V AC	5000K (cool white)	Polycarbonate	Narrow
H6U2MC5WN-SNNG	42,500	380	111	10yr	347V AC	5000K (cool white)	Polycarbonate	Medium
Standard Models - 480V AC Models								
H6UGNC94N-SNNG	60,000	520	115	10yr	480V AC	5000K (cool white)	Tempered glass	Narrow
H6UGMC94N-SNNG	60,000	520	115	10yr	480V AC	5000K (cool white)	Tempered Glass	Medium
H6U1NC94N-SNNG	57,500	520	111	10yr	480V AC	5000K (cool white)	Acrylic	Narrow
H6U1MC94N-SNNG	57,500	520	111	10yr	480V AC	5000K (cool white)	Acrylic	Medium
H6U2NC94N-SNNG	56,500	520	108	10yr	480V AC	5000K (cool white)	Polycarbonate	Narrow
H6U2MC94N-SNNG	56,500	520	108	10yr	480V AC	5000K (cool white)	Polycarbonate	Medium
H6UGNC9WN-SNNG	45,000	380	118	10yr	480V AC	5000K (cool white)	Tempered glass	Narrow
H6UGMC9WN-SNNG	45,000	380	118	10yr	480V AC	5000K (cool white)	Tempered glass	Medium
H6U1NC9WN-SNNG	43,250	380	113	10yr	480V AC	5000K (cool white)	Acrylic	Narrow
H6U1MC9WN-SNNG	43,250	380	113	10yr	480V AC	5000K (cool white)	Acrylic	Medium
H6U2NC9WN-SNNG	42,500	380	111	10yr	480V AC	5000K (cool white)	Polycarbonate	Narrow
H6U2MC9WN-SNNG	42,500	380	111	10yr	480V AC	5000K (cool white)	Polycarbonate	Medium

All values typical unless otherwise stated, Lumen values are typical (tolerance +/- 10%).

All models shown in table are 5000K (cool white) CCT. For models needing 4000K (neutral white) CCT replace the 6th character with a N. Example: H6EGNC44N-SNNG becomes H6EGNN44N-SNNG



# Vigilant® LED High Bay - 42,000 - 60,000lm - UL / CSA

## Variable Dimming Models Ordering Information

Part Number	Fixture Lumen	Watt	lm/W	Warranty	Voltage	CCT	Lens	Optical Pattern
Standard Models - 120 - 277V AC Models								
H6UGNC44D-SNNG	60,000	480	125	10yr	120 - 277V AC	5000K (cool white)	Tempered glass	Narrow
H6UGMC44D-SNNG	60,000	480	125	10yr	120 - 277V AC	5000K (cool white)	Tempered glass	Medium
H6U1NC44D-SNNG	57,500	480	119	10yr	120 - 277V AC	5000K (cool white)	Acrylic	Narrow
H6U1MC44D-SNNG	57,500	480	119	10yr	120 - 277V AC	5000K (cool white)	Acrylic	Medium
H6U2NC44D-SNNG	56,500	480	117	10yr	120 - 277V AC	5000K (cool white)	Polycarbonate	Narrow
H6U2MC44D-SNNG	56,500	480	117	10yr	120 - 277V AC	5000K (cool white)	Polycarbonate	Medium
H6UGNC4WD-SNNG	45,000	360	125	10yr	120 - 277V AC	5000K (cool white)	Tempered glass	Narrow
H6UGMC4WD-SNNG	45,000	360	125	10yr	120 - 277V AC	5000K (cool white)	Tempered glass	Medium
H6U1NC4WD-SNNG	43,250	360	120	10yr	120 - 277V AC	5000K (cool white)	Acrylic	Narrow
H6U1MC4WD-SNNG	43,250	360	120	10yr	120 - 277V AC	5000K (cool white)	Acrylic	Medium
H6U2NC4WD-SNNG	42,500	360	118	10yr	120 - 277V AC	5000K (cool white)	Polycarbonate	Narrow
H6U2MC4WD-SNNG	42,500	360	118	10yr	120 - 277V AC	5000K (cool white)	Polycarbonate	Medium
Standard Models - 347V AC Models								
H6UGNC54D-SNNG	60,000	520	115	10yr	347V AC	5000K (cool white)	Tempered glass	Narrow
H6UGMC54D-SNNG	60,000	520	115	10yr	347V AC	5000K (cool white)	Tempered glass	Medium
H6U1NC54D-SNNG	57,500	520	110	10yr	347V AC	5000K (cool white)	Acrylic	Narrow
H6U1MC54D-SNNG	57,500	520	110	10yr	347V AC	5000K (cool white)	Acrylic	Medium
H6U2NC54D-SNNG	57,500	520	110	10yr	347V AC	5000K (cool white)	Polycarbonate	Narrow
H6U2MC54D-SNNG	56,500	520	109	10yr	347V AC	5000K (cool white)	Polycarbonate	Medium
H6UGNC5WD-SNNG	45,000	380	118	10yr	347V AC	5000K (cool white)	Tempered glass	Narrow
H6UGMC5WD-SNNG	45,000	380	118	10yr	347V AC	5000K (cool white)	Tempered glass	Medium
H6U1NC5WD-SNNG	43,250	380	113	10yr	347V AC	5000K (cool white)	Acrylic	Narrow
H6U1MC5WD-SNNG	43,250	380	113	10yr	347V AC	5000K (cool white)	Acrylic	Medium
H6U2NC5WD-SNNG	42,500	380	111	10yr	347V AC	5000K (cool white)	Polycarbonate	Narrow
H6U2MC5WD-SNNG	42,500	380	111	10yr	347V AC	5000K (cool white)	Polycarbonate	Medium
Standard Models - 480V AC Models								
H6UGNC94D-SNNG	60,000	520	115	10yr	480V AC	5000K (cool white)	Tempered glass	Narrow
H6UGMC94D-SNNG	60,000	520	115	10yr	480V AC	5000K (cool white)	Tempered Glass	Medium
H6U1NC94D-SNNG	57,500	520	111	10yr	480V AC	5000K (cool white)	Acrylic	Narrow
H6U1MC94D-SNNG	57,500	520	111	10yr	480V AC	5000K (cool white)	Acrylic	Medium
H6U2NC94D-SNNG	56,500	520	108	10yr	480V AC	5000K (cool white)	Polycarbonate	Narrow
H6U2MC94D-SNNG	56,500	520	108	10yr	480V AC	5000K (cool white)	Polycarbonate	Medium
H6UGNC9WD-SNNG	45,000	380	118	10yr	480V AC	5000K (cool white)	Tempered glass	Narrow
H6UGMC9WD-SNNG	45,000	380	118	10yr	480V AC	5000K (cool white)	Tempered glass	Medium
H6U1NC9WD-SNNG	43,250	380	113	10yr	480V AC	5000K (cool white)	Acrylic	Narrow
H6U1MC9WD-SNNG	43,250	380	113	10yr	480V AC	5000K (cool white)	Acrylic	Medium
H6U2NC9WD-SNNG	42,500	380	111	10yr	480V AC	5000K (cool white)	Polycarbonate	Narrow
H6U2MC9WWD-SNNG	42,500	380	111	10yr	480V AC	5000K (cool white)	Polycarbonate	Medium

All values typical unless otherwise stated, Lumen values are typical (tolerance +/- 10%).

All models shown in table are 5000K (cool white) CCT. For models needing 4000K (neutral white) CCT replace the 6th character with a N. Example: H6EGNC44D-SNNG becomes H6EGNN44D-SNNG



