



# SERVICE PARTS LIST

**BULLETIN NO.**  
**54-24-5420**

SPECIFY CATALOG NO. AND SERIAL NO. WHEN ORDERING PARTS		REVISED BULLETIN	DATE
<b>1-3/4" (45mm) SDS-MAX COMBINATION HAMMER</b>			Jan. 2009
CATALOG NO.	<b>5426-21</b>	STARTING SERIAL NO.	<b>B37A</b>
		WIRING INSTRUCTION	<b>58-01-5400</b>

**EXAMPLE:**  
Component Parts (Small #) Are Included  
When Ordering The Assembly (Large #).



● = Component of #102  
Maintenance Service Kit  
No. 14-46-0290

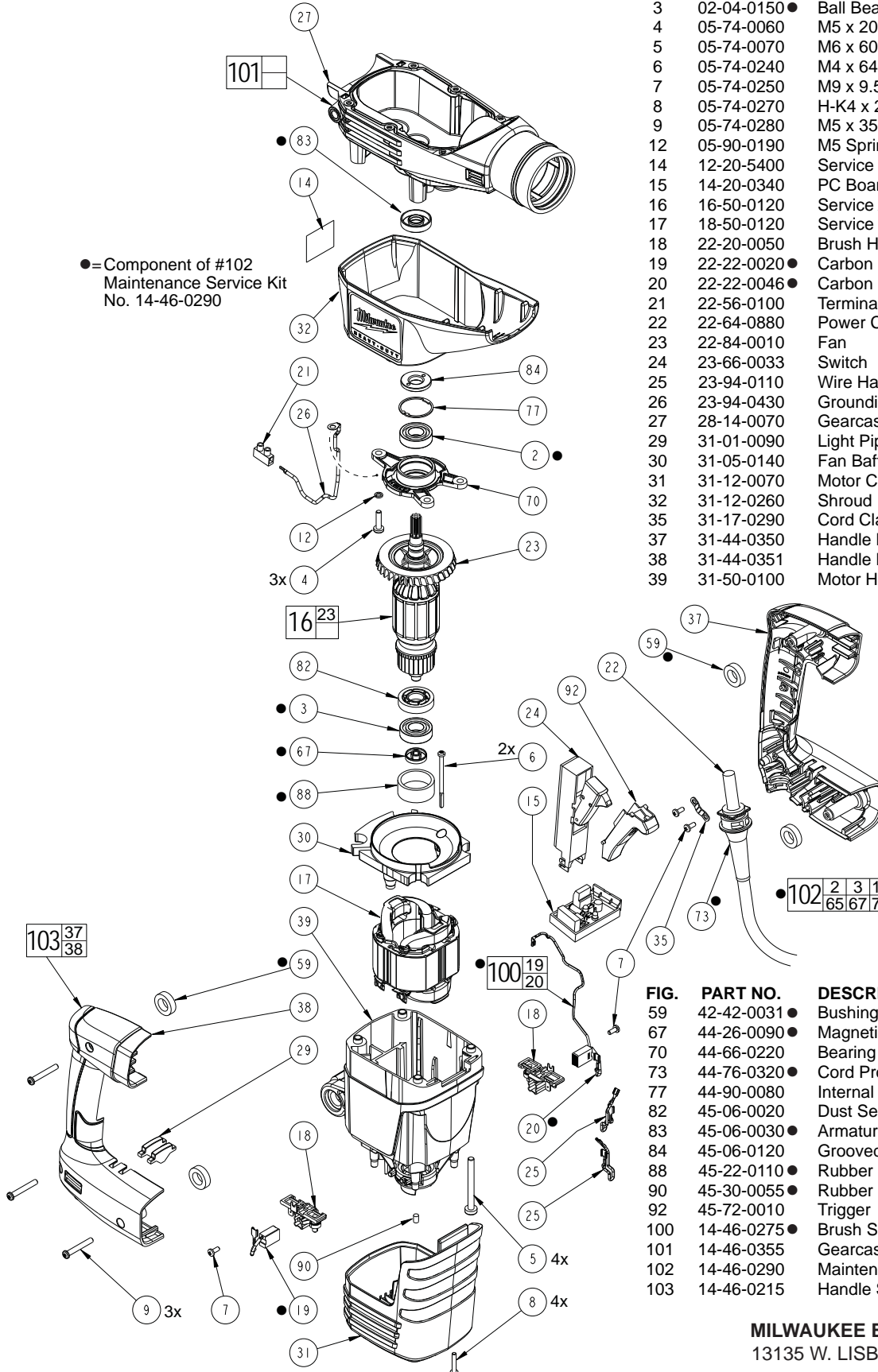
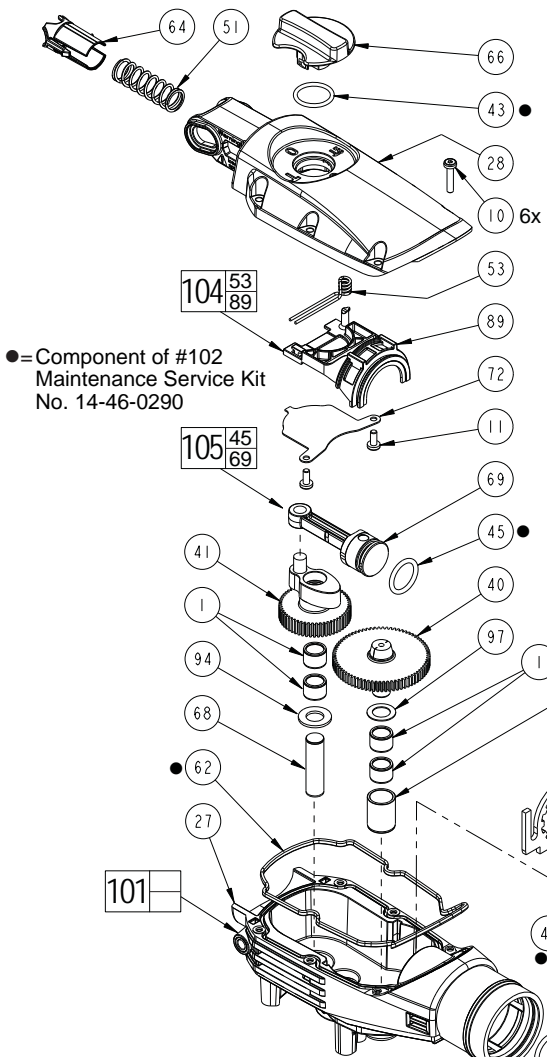


FIG.	PART NO.	DESCRIPTION OF PART	NO. REQ.
2	02-04-0140	● Ball Bearing	(1)
3	02-04-0150	● Ball Bearing	(1)
4	05-74-0060	M5 x 20 Taptite T-25 Screw	(3)
5	05-74-0070	M6 x 60 Taptite T-30 Screw	(4)
6	05-74-0240	M4 x 64 Plastite T-20 Screw	(2)
7	05-74-0250	M9 x 9.5 T-15 Screw	(4)
8	05-74-0270	H-K4 x 22 T-15 Screw	(4)
9	05-74-0280	M5 x 35 T-20 Screw	(3)
12	05-90-0190	M5 Spring Washer	(1)
14	12-20-5400	Service Nameplate Kit	(1)
15	14-20-0340	PC Board	(1)
16	16-50-0120	Service Armature Assembly	(1)
17	18-50-0120	Service Field Assembly	(1)
18	22-20-0050	Brush Holder Assembly	(2)
19	22-22-0020	● Carbon Brush Assembly	(1)
20	22-22-0046	● Carbon Brush Assembly (2 wire)	(1)
21	22-56-0100	Terminal Block	(1)
22	22-64-0880	Power Cord	(1)
23	22-84-0010	Fan	(1)
24	23-66-0033	Switch	(1)
25	23-94-0110	Wire Harness	(2)
26	23-94-0430	Grounding Wire Harness	(1)
27	28-14-0070	Gearcase	(1)
29	31-01-0090	Light Pipe	(2)
30	31-05-0140	Fan Baffle	(1)
31	31-12-0070	Motor Cap	(1)
32	31-12-0260	Shroud	(1)
35	31-17-0290	Cord Clamp	(1)
37	31-44-0350	Handle Halve-Left	(1)
38	31-44-0351	Handle Halve-Right	(1)
39	31-50-0100	Motor Housing	(1)

**SEE PAGE 3 FOR  
LUBRICATION AND  
SERVICE NOTES**

102	2	3	19	20	33	43	45	47	48	49	58	59	62	
	65	67	73	74	76	80	83	88	90	91	95	96	98	100

FIG.	PART NO.	DESCRIPTION OF PART	NO. REQ.
59	42-42-0031	● Bushing	(4)
67	44-26-0090	● Magnetic Disc	(1)
70	44-66-0220	Bearing End Plate	(1)
73	44-76-0320	● Cord Protector	(1)
77	44-90-0080	Internal Retaining Ring	(1)
82	45-06-0020	Dust Seal	(1)
83	45-06-0030	● Armature Seal	(1)
84	45-06-0120	Grooved Ball Bearing	(1)
88	45-22-0110	● Rubber Sleeve	(1)
90	45-30-0055	● Rubber Plug	(1)
92	45-72-0010	Trigger	(1)
100	14-46-0275	● Brush Service Kit	(1)
101	14-46-0355	Gearcase Service Kit	(1)
102	14-46-0290	Maintenance Service Kit	(1)
103	14-46-0215	Handle Service Kit	(1)



●=Component of #102 Maintenance Service Kit No. 14-46-0290

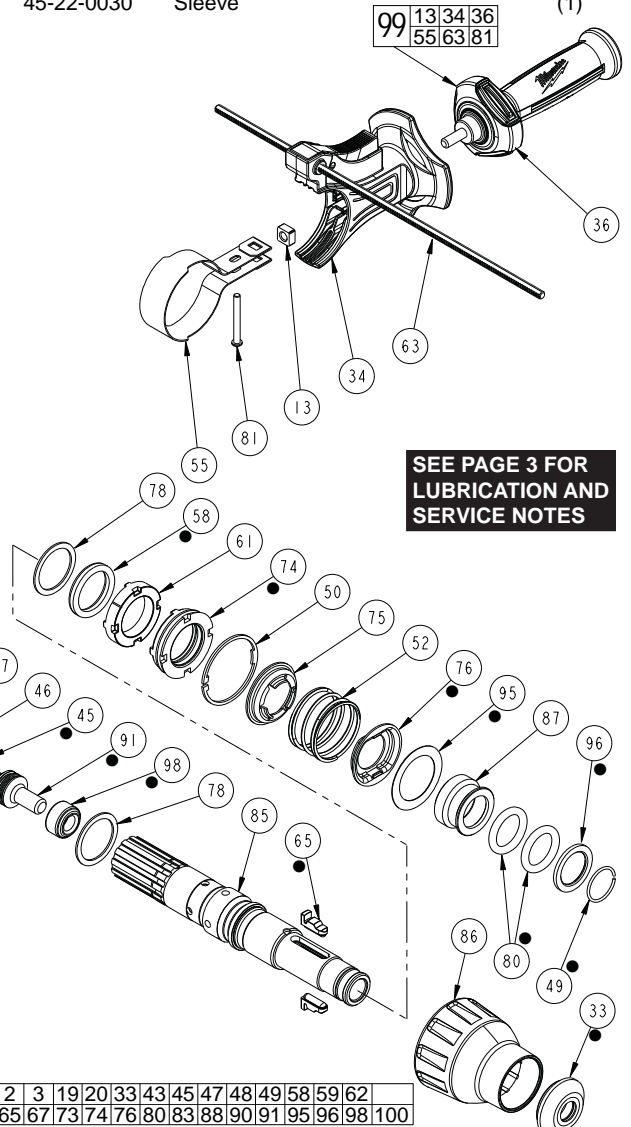
**EXAMPLE:**  

00	0
----	---

 Component Parts (Small #) Are Included When Ordering The Assembly (Large #).

FIG.	PART NO.	DESCRIPTION OF PART	NO. REQ.
1	02-04-0120	Needle Bearing	(4)
10	05-74-0310	M5 x 25 Taptite T-25 Screw	(6)
11	05-74-0320	M5 x 12 PE T-20 Grade 8.8 Screw	(2)
13	06-54-0120	M8 Nut	(1)
27	28-14-0070	Gearcase	(1)
28	28-20-0070	Gearcase Cover	(1)
33	31-12-0420●	Rubber Cap	(1)
34	31-17-0010	Side Handle Bracket	(1)
36	31-44-0155	Auxiliary Side Handle	(1)
40	32-10-0020	Clutch Gear	(1)
41	32-65-0010	Crank Gear	(1)
42	33-75-0010	Bevel Gear	(1)
43	34-40-0020●	O-Ring	(1)
44	34-40-0085	O-Ring	(1)
45	34-40-0170●	O-Ring	(3)
46	34-40-0175	O-Ring	(1)
47	34-60-0040●	Core Lifter Ring	(1)
48	34-60-0090●	Internal Snap Ring	(1)
49	34-60-0110●	Internal Snap Ring	(1)
50	34-80-0010	Internal Retaining Ring	(1)
51	40-50-0610	Pressure Spring	(1)
52	40-50-0620	Barrel Spring	(1)
53	40-50-0630	Drive Selector Spring	(1)
54	42-06-0010	Ram	(1)
55	42-16-0010	Side Handle Band	(1)
56	42-24-0010	Sleeve Bearing	(1)
57	42-24-0020	Needle Bearing Sleeve	(1)
58	42-38-0410●	Dampening Bumper	(1)
60	42-76-0020	Idle Collar	(1)
61	42-76-0030	Thrust Collar	(1)
62	43-44-0120●	Gearcase Gasket	(1)
63	43-46-0020	Depth Gauge	(1)

FIG.	PART NO.	DESCRIPTION OF PART	NO. REQ.
64	43-56-0100	Spring Guide	(1)
65	43-96-0010●	Interlock	(2)
66	44-10-0190	Drive Selector Lever	(1)
68	44-60-0160	Dowel Pin	(1)
69	44-62-0010	Piston Assembly	(1)
71	44-66-0370	Locking Plate	(1)
72	44-66-0420	Latch Plate	(1)
74	44-86-0020●	Seal Retainer	(1)
75	44-86-0140	Retaining Ring Key	(1)
76	44-86-0160●	Retaining Ring Key	(1)
78	44-90-0301	Spindle Ring	(2)
79	44-90-0440	Seal	(1)
80	44-90-0510●	Seal	(2)
81	45-04-0030	C-K5 x 40 T-20 Side Handle Screw	(1)
85	45-22-0020	Spindle Sleeve	(1)
86	45-22-0030	Sleeve	(1)



**SEE PAGE 3 FOR LUBRICATION AND SERVICE NOTES**

102	2	3	19	20	33	43	45	47	48	49	58	59	62	
	65	67	73	74	76	80	83	88	90	91	95	96	98	100

FIG.	PART NO.	DESCRIPTION OF PART	NO. REQ.
87	45-22-0040	SDS Sleeve	(1)
89	45-24-0060	Drive Selector Slide	(1)
91	45-56-0010●	Striker	(1)
93	45-88-0960	Cushion Washer	(1)
94	45-88-1000	Washer	(1)
95	45-88-1120●	Washer	(1)
96	45-88-1490●	Washer	(1)
97	45-88-1550	Washer	(1)
98	45-88-1570●	Stop Washer	(1)
99	14-46-0300	Side Handle Kit	(1)
101	14-46-0355	Gearcase Service Kit	(1)
102	14-46-0290	Maintenance Service Kit	(1)
104	14-46-0285	Drive Selector Service Kit	(1)
105	14-46-0345	Piston Service Kit	(1)
	42-55-0190	Carrying Case (Not Shown)	(1)
	49-08-4255	Type 'Q' Grease, 45gm (1.5 oz) Tube	(1)

FASTENER TORQUE SPECIFICATIONS (FT./LBS.)		
FIG. NO.	SEATING TORQUE	
	MINIMUM	MAXIMUM
2	4.43	
4	3.30	
5	4.43	
6	0.96	
7	1.25	
8		
9	1.25	
10	3.30	
11	3.30	
81	1.25	

●14-46-0290 MAINTENANCE SERVICE KIT

THIS KIT CONTAINS:

1	02-04-0140	Ball Bearing
1	02-04-0150	Ball Bearing
1	31-12-0420	Rubber Cap
1	34-40-0020	O-Ring
3	34-40-0170	O-Ring
1	34-60-0040	Core Lifter Ring
1	34-60-0090	Internal Snap Ring
1	34-60-0110	Internal Snap Ring
1	42-38-0410	Dampening Bumper
4	42-42-0031	Bushing
1	43-44-0120	Gearcase Gasket
2	43-96-0010	Interlock
1	44-26-0090	Magnetic Disc
1	44-76-0320	Cord Protector
1	44-86-0020	Seal Retainer
1	44-86-0160	Retaining Ring Key
2	44-90-0510	Seal
1	45-06-0030	Armature Seal
1	45-22-0110	Rubber Sleeve
1	45-30-0055	Rubber Plug
1	45-56-0010	Striker
1	45-88-1120	Washer
1	45-88-1490	Washer
1	45-88-1570	Stop Washer
1	14-46-0275	Brush Svc. Kit (Incl. 19 & 20)

14-46-0275 BRUSH SERVICE KIT

THIS KIT CONTAINS:

1	22-22-0020	Carbon Brush Assembly
1	22-22-0046	Carbon Brush Assembly (Two Wire)