



SERVICE PARTS LIST

BULLETIN NO.
54-26-1700

SPECIFY CATALOG NO. AND SERIAL NO. WHEN ORDERING PARTS		REVISED BULLETIN	DATE
1/2" D.I. IMPACT WRENCH			July 2002
CATALOG NO.	9070-20	STARTING SERIAL NO.	229A
		WIRING INSTRUCTION	58-01-1820

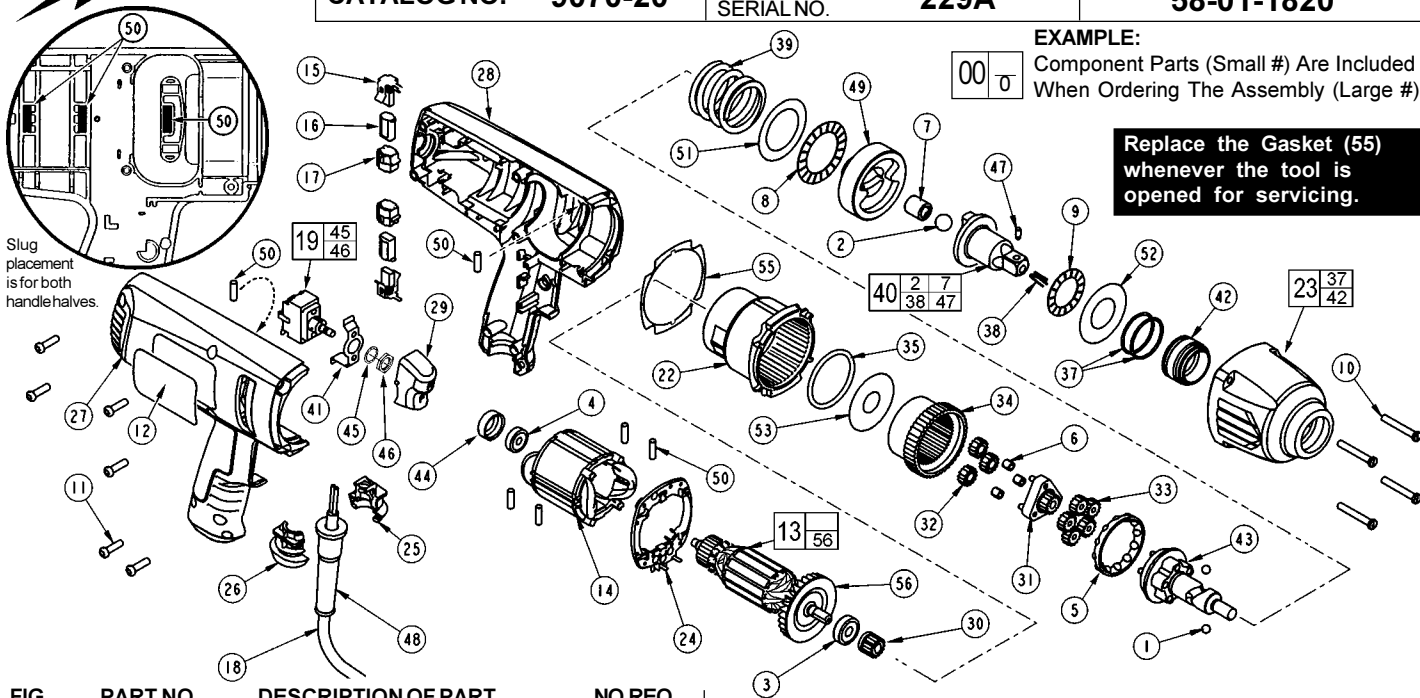


FIG.	PART NO.	DESCRIPTION OF PART	NO.REQ.
1	02-02-0250	1/4" Ball	(2)
2	-----	1/2" Ball	(1)
3	02-04-0852	Ball Bearing	(1)
4	02-04-0645	Ball Bearing	(1)
5	02-40-0050	Angular Contact Bearing	(1)
6	02-50-3250	Unit Cage Bearing	(3)
7	-----	Drawn Cup Bearing	(1)
8	02-80-0200	Thrust Bearing	(1)
9	02-80-3256	Thrust Bearing	(1)
10	05-88-5988	K50 x 35mm Screw	(4)
11	06-95-6290	M5 x 2.24 x 18 Plastite Screw	(6)
12	12-20-9070	Service Nameplate	(1)
13	16-10-0275	Armature	(1)
14	18-07-2275	Field	(1)
15	22-18-0040	Brush Assembly	(2)
16	22-20-0110	Brush Tube	(2)
17	22-20-0465	Brush Tube Holder	(2)
18	22-64-0970	Cord	(1)
19	23-66-1305	Switch	(1)
22	28-14-0175	Gearcase	(1)
23	14-38-0100	Front Housing Assembly	(1)
24	31-15-2045	Field Connector	(1)
25	31-17-0260	Cord Clamp	(1)
26	31-17-0270	Cord Clamp	(1)
27	31-44-2176	Right Handle	(1)
28	31-44-2181	Left Handle	(1)
29	31-92-0060	Rocker Trigger	(1)
30	32-60-0150	Sun Gear	(1)
31	32-60-0175	Sun Gear	(1)
32	32-62-0200	Planet Gear	(3)
33	32-62-0215	Planet Gear	(5)
34	32-65-0005	Ring Gear	(1)
35	34-40-0070	O-Ring	(1)
37	-----	O-Ring	(2)
38	40-50-8320	Detent Spring	(1)
39	40-50-0241	Spring	(1)
40	14-73-0145	Anvil Assembly	(1)
41	42-36-0275	Switch Bracket	(1)
42	-----	Bushing	(1)
43	14-73-0300	Cam Shaft Assembly	(1)
44	42-96-0015	Bearing Cup	(1)
45	-----	Supplied with Switch	(1)
46	-----	Supplied with Switch	(1)

RECALL NOTICE!
See back page for important safety information.

FIG.	PART NO.	DESCRIPTION OF PART	NO.REQ.
47	44-60-1170	Detent Pin	(1)
48	44-76-0210	Cord Protector	(1)
49	44-82-0205	Ram	(1)
50	45-30-0025	Rubber Slug	(6)
51	45-88-0535	Washer	(1)
52	45-88-1575	Washer	(1)
53	45-88-3260	Washer	(1)
55	43-44-0991	Gasket	(1)
56	22-84-0375	Fan	(1)

FIG. NOTES:

4 Orient bearing seal (black side) toward the commutator.

10 Torque to 45-50 in./lbs.

11 Torque to 25-30 in./lbs.

16 At the time of brush replacement, the tool should be relubricated with Type "Z" Grease, No.49-08-7655.

FIG. LUBRICATION (Type "Z" Grease, No.49-08-7655):

23,34,42, 43,49 Lightly coat with grease the Ring Gear (34) and the bearing races of the Camshaft Planet Carrier (43), the back bearing surface of the Ram (49) and the I.D. the Front Housing Bushing (42).

7,40 Place a dab of grease in the Needle Bearing (7) inside the Anvil (40).

31,32,33,43 Fill with grease the center of the five Planet Gears (33) on the Camshaft Assembly (43). Fill the center of the three Planet Gears (32) on the Sun Gear (31).

49 Place approximately 1/2 oz. of grease in the front cavity of the Ram.

43 Place approximately 1/2 oz. grease on the Camshaft (43) inside the Spring (39).

MILWAUKEE ELECTRIC TOOL CORPORATION
13135 W. LISBON RD., BROOKFIELD, WI 53005
Drwg. 5

RECALL NOTICE!

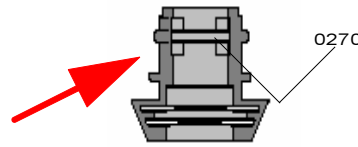
Milwaukee is providing a **no-charge** warranty service to owners of **9070-20, 9071-20, and 9075-20 Impact Wrenches**. We are taking this action because under certain circumstances the cord set of the Impact Wrench may pull out of the handle, which poses a risk of injury or electrocution.

All **9070-20, 9071-20, and 9075-20 Impact Wrenches** sold by March, 2001 and July 2001 within the serial number ranges shown are affected.

Nameplate Catalog Number	Serial Number Range
9070-20	2 2 9 A 4 0 1 0 1 0 0 0 1 t h r u 2 2 9 A 4 0 1 2 5 0 7 2 2
9071-20	2 3 0 A 4 0 1 0 1 0 0 0 1 t h r u 2 3 0 A 4 0 1 2 6 0 1 0 4
9075-20	2 3 9 A 4 0 1 0 1 0 0 0 1 t h r u 2 3 9 A 4 0 1 2 5 0 4 0 4

For operator safety a **9070-20, 9071-20 or 9075-20 Impact Wrench** within the listed serial number ranges **require original equipment 31-17-0265 Cord Clamp to be replaced with a 31-17-0270 Cord Clamp.**

As an aid to determining the cord clamp in a tool, the 31-17-0270 Cord Clamp has the numbers **'0270'** molded into the clamping rib. The 31-17-0265 Cord Clamp has no markings on the rib.



If the tool contains a 31-17-0265 Cord Clamp, please return your Impact Wrench to the nearest Milwaukee **factory** Service Center or Authorized Service station for no-charge warranty replacement of the cord clamp.

If nameplate has a **'X'** stamped into the tool's nameplate, next to the catalog number, the tool has been repaired and the defective cord clamp has already been replaced.

If you need assistance in locating the service facility nearest you or have questions please call 1.800.729.3878.