

RJ45 connection: 22 mm, metal shiny, silver



Product brand name	SIRIUS ACT
Product designation	RJ45 connection
Design of the product	RJ-45 Cat. 6
Product type designation	3SU1

Actuator	
Outer diameter of the actuating element	29.45 mm

General technical data	
Protection class IP	IP65

Ambient conditions	
Ambient temperature	
<ul style="list-style-type: none"> <li>during operation</li> <li>during storage</li> </ul>	<p>-25 ... +70 °C</p> <p>-40 ... +80 °C</p>

Installation/ mounting/ dimensions	
Shape of the installation opening	round
(mounting diameter)	22.3 mm
Mounting height	11.7 mm
Installation width	29.45 mm
Installation depth	28.35 mm

## Accessories

Material of accessory	Metal
Color of accessory	Silver

## Certificates/approvals

### General Product Approval

### Declaration of Conformity



CSA



UL



UR



EG-Konf.

[Miscellaneous](#)

### Test Certificates

### Marine / Shipping

[Type Test Certificates/Test Report](#)



ABS



LRS



PRS



RINA



RMRS

### Marine / Shipping

### other

[Confirmation](#)



DNVGL.COM/AF

## Further information

### Information- and Downloadcenter (Catalogs, Brochures,...)

<http://www.siemens.com/industrial-controls/catalogs>

### Industry Mall (Online ordering system)

<https://mall.industry.siemens.com/mall/en/en/Catalog/product?mlfb=3SU1950-0GB80-0AA0>

### Cax online generator

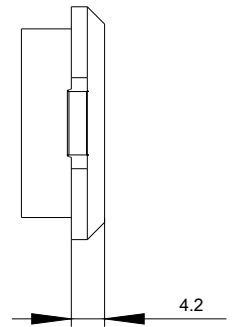
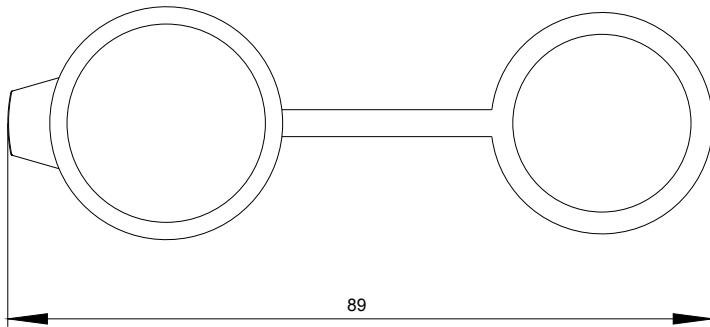
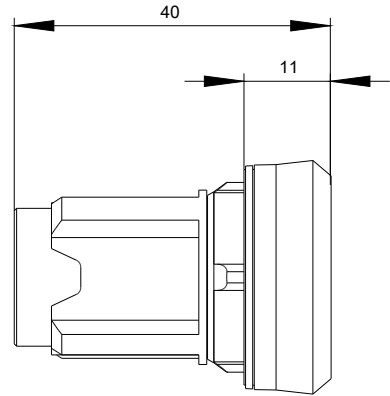
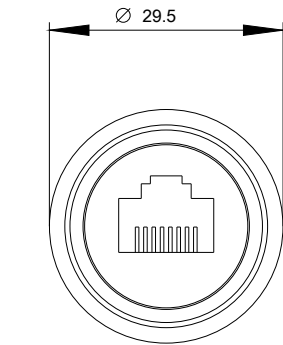
<http://support.automation.siemens.com/WW/CAXorder/default.aspx?lang=en&mlfb=3SU1950-0GB80-0AA0>

### Service&Support (Manuals, Certificates, Characteristics, FAQs,...)

<https://support.industry.siemens.com/cs/ww/en/ps/3SU1950-0GB80-0AA0>

### Image database (product images, 2D dimension drawings, 3D models, device circuit diagrams, EPLAN macros, ...)

[http://www.automation.siemens.com/bilddb/cax\\_de.aspx?mlfb=3SU1950-0GB80-0AA0&lang=en](http://www.automation.siemens.com/bilddb/cax_de.aspx?mlfb=3SU1950-0GB80-0AA0&lang=en)



last modified:

07/25/2019