



ITC[®]

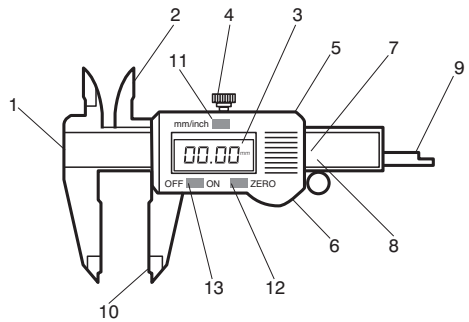
6" SAE / Metric Electronic Digital Caliper Operator's Manual



Thank you for purchasing a quality ITC electronic digital caliper. Used and cared for correctly, it will give you many years of trouble-free service.

Specifications

- Resolution: 0.0005" / 0.01 mm
- Power: One 1.5V button cell (SR44, G13A, or equivalent)
- Range: 0 – 6" / 150 mm
- Measuring speed: < 1.5 m/s
- Working temperature: 0 – +40 °C
- Storage temperature: -10 – +60 °C
- Interface type: synchronous serial, 24 bit binary code

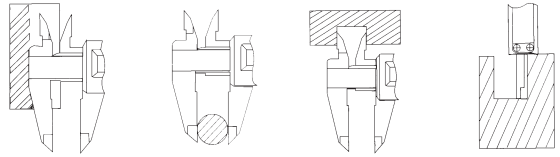


Components

- | | |
|-----------------------------|------------------------------|
| 1. Step measuring face | 8. Scale face |
| 2. Internal measuring faces | 9. Depth measuring blade |
| 3. LCD display screen | 10. External measuring faces |
| 4. Locking screw | 11. Inch/mm selector |
| 5. Data output | 12. Zero setting |
| 6. Battery cover | 13. On/Off |
| 7. Slider | |

Functions

1. Zero setting at any position – allows quick and easy relative measurements.
2. Inch/metric selector – instantly make conversions.
3. On/Off – this caliper DOES NOT have auto off. Must be turned off to avoid battery drain.



Operation

1. Clean all measuring surfaces and scale face.
2. Turn power on.
3. Loosen locking screw and move slider to check that LCD and all function buttons are operating.
4. Select desired units of measure (in/mm).
5. Close slider until outside measuring faces make contact, then press zero button.
6. Measure according to diagrams above.

Maintenance

Keep your caliper clean. Use a non-corrosive, non-abrasive cleaner. A light film of machine oil on the sliding parts will ensure smooth functioning.

Never apply voltage or use an electric engraver on the caliper. The electronics may be damaged and will not be covered under warranty.

Abnormal display such as flashing digits, no digits etc., indicates a weak or spent battery. To replace battery, simply slide battery cover in direction of arrow and replace. Use model G13A or equivalent. Positive side of battery must face up.

Please note your caliper was shipped with 2 batteries. We recognize the batteries in the unit may not be fresh by the time it reaches the consumer. If the batteries in your unit are spent, replace them with the spares. A spent battery is not a warranty item.

Troubleshooting

Trouble	Possible Causes	Solutions
Flashing digits	Low voltage	Replace battery
No display	1. Low voltage 2. Poor contact	1. Replace battery 2. Clean and adjust battery seat