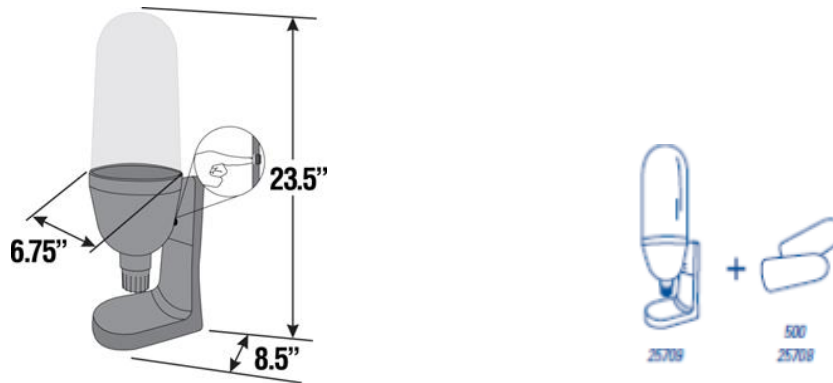


H10 Disposable Earplug Dispenser

Code	Description	Case Count
25709	Disposable Earplug Dispenser (empty)	1/case

Property	Description
Dispenser Materials	
• Back Panel & Base	ABS plastic
• Knob Parts	PP plastic
• Clear Globe	Resin
Packaging	Corrugate case; polybag and bubble wrap for shipping protection
Installation	
• Desktop-Ready	Stable base—no assembly required
• Wall-Mountable	Mounting template, 3 steel screws, and three PP anchors included



Workmanship Requirement

Hearing protection shall be made in accordance with reasonable industry practice with respect to defects or dirt and contamination. Hearing protection should be packaged as specified having described design, suspension and color in the appropriate quantity as listed.

For additional information: 1-800-323-7402 or marketing.usa@surewerx.com