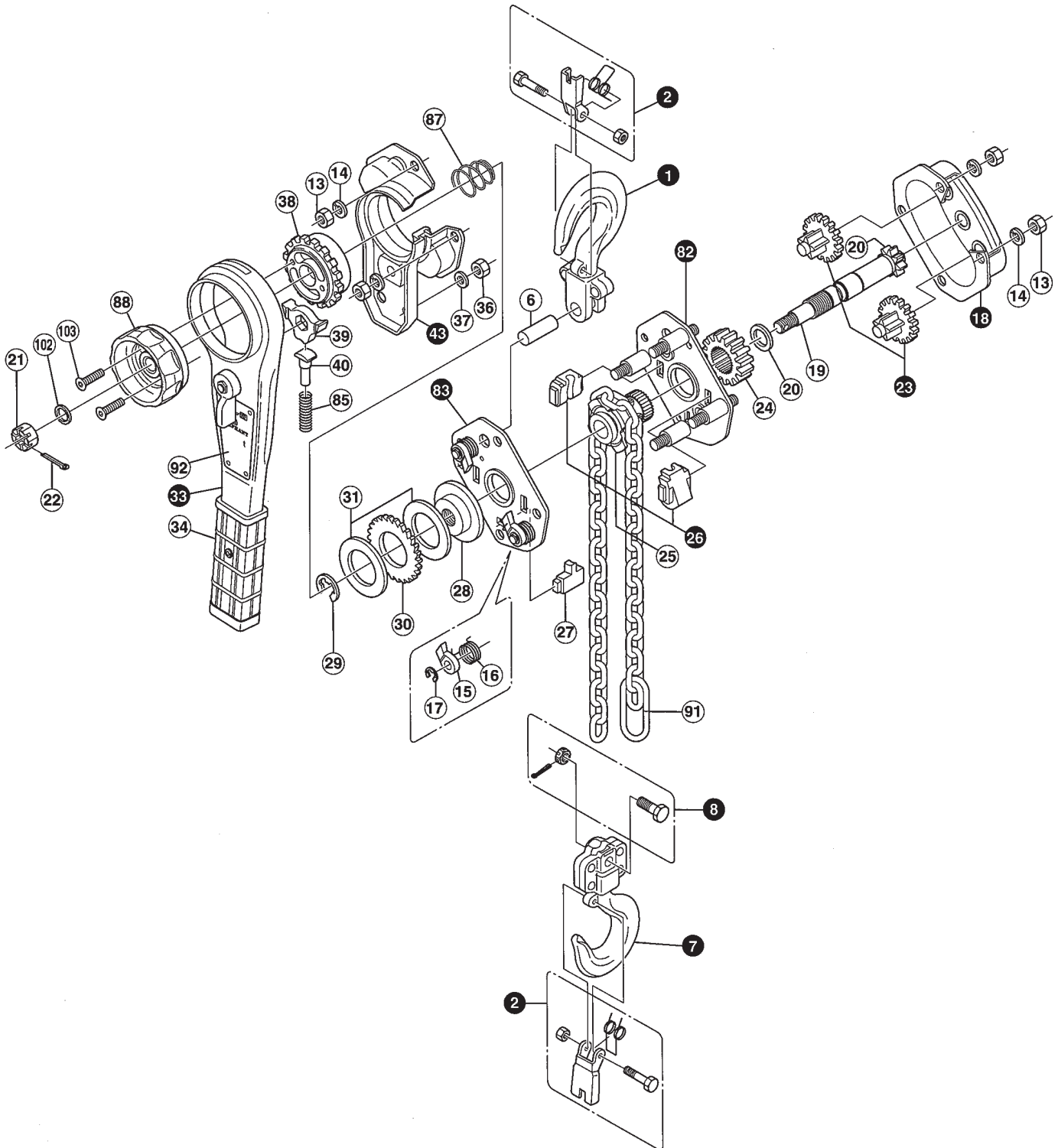


JET MINI MITE II LEVER CHAIN HOIST PRODUCT 110506,110507,110509,110510



**JET MINI MITE II LEVER CHAIN HOIST PRODUCT 110506,110507,110509,110510**

REF	PART NUMBER	DESCRIPTION	REQ	REF	PART NUMBER	DESCRIPTION	REQ
1	PEL-MM80-1	MM80-TOP HOOK ASS'Y.	1	1	PEL-MM160-1	MM160-TOP HOOK ASS'Y.	1
2	PEL-MM80-2	MM80-SAFETY LATCH ASS'Y.	1	2	PEL-MM160-2	MM160-SAFETY LATCH ASS'Y.	1
2	PEL-MM80-2	MM80-SAFETY LATCH ASS'Y.	1	2	PEL-MM160-2	MM160-SAFETY LATCH ASS'Y.	1
6	PEL-MM80-6	MM80-TOP HOOK PIN	1	6	PEL-MM160-6	MM160-TOP HOOK PIN	1
7	PEL-MM80-7	MM80-BOTTOM HOOK ASS'Y.	1	7	PEL-MM160-7	MM160-BOTTOM HOOK ASS'Y.	1
8	PEL-MM80-8	MM80-CHAIN STOP BOLT ASS'Y'.	1	8	PEL-MM160-8	MM160-CHAIN STOP BOLT ASS'Y'.	1
13	PEL-MM80-13	MM80-HEX. NUT	8	13	PEL-MM160-13	MM160-HEX. NUT	8
14	PEL-MM80-14	MM80-SPRING WASHER	8	14	PEL-MM160-14	MM160-SPRING WASHER	8
15	PEL-MM80-15	MM80-PAWL	2	15	PEL-MM160-15	MM160-PAWL	2
16	PEL-MM80-16	MM80-PAWL SPRING	2	16	PEL-MM160-16	MM160-PAWL SPRING	2
17	PEL-MM80-17	MM80-E-RING FOR PAWL	2	17	PEL-MM160-17	MM160-E-RING FOR PAWL	2
18	PEL-MM80-18	MM80-GEAR COVER ASS'Y.	1	18	PEL-MM160-18	MM160-GEAR COVER ASS'Y.	1
19	PEL-MM80-19	MM80-PINION SHAFT	1	19	PEL-MM160-19	MM160-PINION SHAFT	1
20	PEL-MM80-20	MM80-WASHER FOR PINION SHAFT	1	20	PEL-MM160-20	MM160-WASHER FOR PINION SHAFT	1
21	PEL-MM80-21	MM80-HEX. CASTLE NUT	1	21	PEL-MM160-21	MM160-HEX. CASTLE NUT	1
22	PEL-MM80-22	MM80-COTTER PIN	1	22	PEL-MM160-22	MM160-COTTER PIN	1
23	PEL-MM80-23	MM80-2ND & 3RD GEAR ASS'Y.	1PR	23	PEL-MM160-23	MM160-2ND & 3RD GEAR ASS'Y.	1PR
24	PEL-MM80-24	MM80-LOAD GEAR	1	24	PEL-MM160-24	MM160-LOAD GEAR	1
25	PEL-MM80-25	MM80-LOAD SHEAVE	1	25	PEL-MM160-25	MM160-LOAD SHEAVE	1
26	PEL-MM80-26	MM80-CHAIN GUIDE ASS'Y	1	26	PEL-MM160-26	MM160-CHAIN GUIDE ASS'Y	1
27	PEL-MM80-27	MM80-CHAIN STRIPPER	1	27	PEL-MM160-27	MM160-CHAIN STRIPPER	1
28	PEL-MM80-28	MM80-DISC HUB	1	28	PEL-MM160-28	MM160-DISC HUB	1
29	PEL-MM80-29	MM80-E-RING FOR DISC HUB	1	29	PEL-MM160-29	MM160-E-RING FOR DISC HUB	1
30	PEL-MM80-30	MM80-RATCHET WHEEL	1	30	PEL-MM160-30	MM160-RATCHET WHEEL	1
31	PEL-MM80-31	MM80-FRICTION DISC	2	31	PEL-MM160-31	MM160-FRICTION DISC	2
33	PEL-MM80-33	MM80-LEVER ASS' Y	1	33	PEL-MM160-33	MM160-LEVER ASS' Y	1
34	PEL-MM80-34	MM80-LEVER GRIP	1	34	PEL-MM160-34	MM160-LEVER GRIP	1
36	PEL-MM80-36	MM80-HEX. NUT	2	36	PEL-MM160-36	MM160-HEX. NUT	2
37	PEL-MM80-37	MM80-SPRING WASHER	2	37	PEL-MM160-37	MM160-SPRING WASHER	2
38	PEL-MM80-38	MM80-FEED GEAR	1	38	PEL-MM160-38	MM160-FEED GEAR	1
39	PEL-MM80-39	MM80-RATCHET FOR FEED GEAR	1	39	PEL-MM160-39	MM160-RATCHET FOR FEED GEAR	1
40	PEL-MM80-40	MM80-RATCHET SPRING PIN	1	40	PEL-MM160-40	MM160-RATCHET SPRING PIN	1
43	PEL-MM80-43	MM80-LEVER COVER SET	1	43	PEL-MM160-43	MM160-LEVER COVER SET	1
82	PEL-MM80-82	MM80-GEAR SIDE PLATE ASSY.	1	82	PEL-MM160-82	MM160-GEAR SIDE PLATE ASSY.	1
83	PEL-MM80-83	MM80-LEVER SIDE PLATE ASSY.	1	83	PEL-MM160-83	MM160-LEVER SIDE PLATE ASSY.	1
85	PEL-MM80-85	MM80-RATCHET SPRING	1	85	PEL-MM160-85	MM160-RATCHET SPRING	1
87	PEL-MM80-87	MM80-SPRING FOR FLOATING	1	87	PEL-MM160-87	MM160-SPRING FOR FLOATING	1
88	PEL-MM80-88	MM80-FEED HANDLE	1	88	PEL-MM160-88	MM160-FEED HANDLE	1
91	PEL-MM80-91	MM80-CHAIN STOPPER	1	91	PEL-MM160-91	MM160-CHAIN STOPPER	1
92	PEL-MM80-92	MM80-NAME PLATE	1	92	PEL-MM160-92	MM160-NAME PLATE	1
102	PEL-MM80-102	MM80-CHECK WASHER	1	102	PEL-MM160-102	MM160-CHECK WASHER	1
103	PEL-MM80-103	MM80-COUNTERSUNK BOLT	2	103	PEL-MM160-103	MM160-COUNTERSUNK BOLT	2