

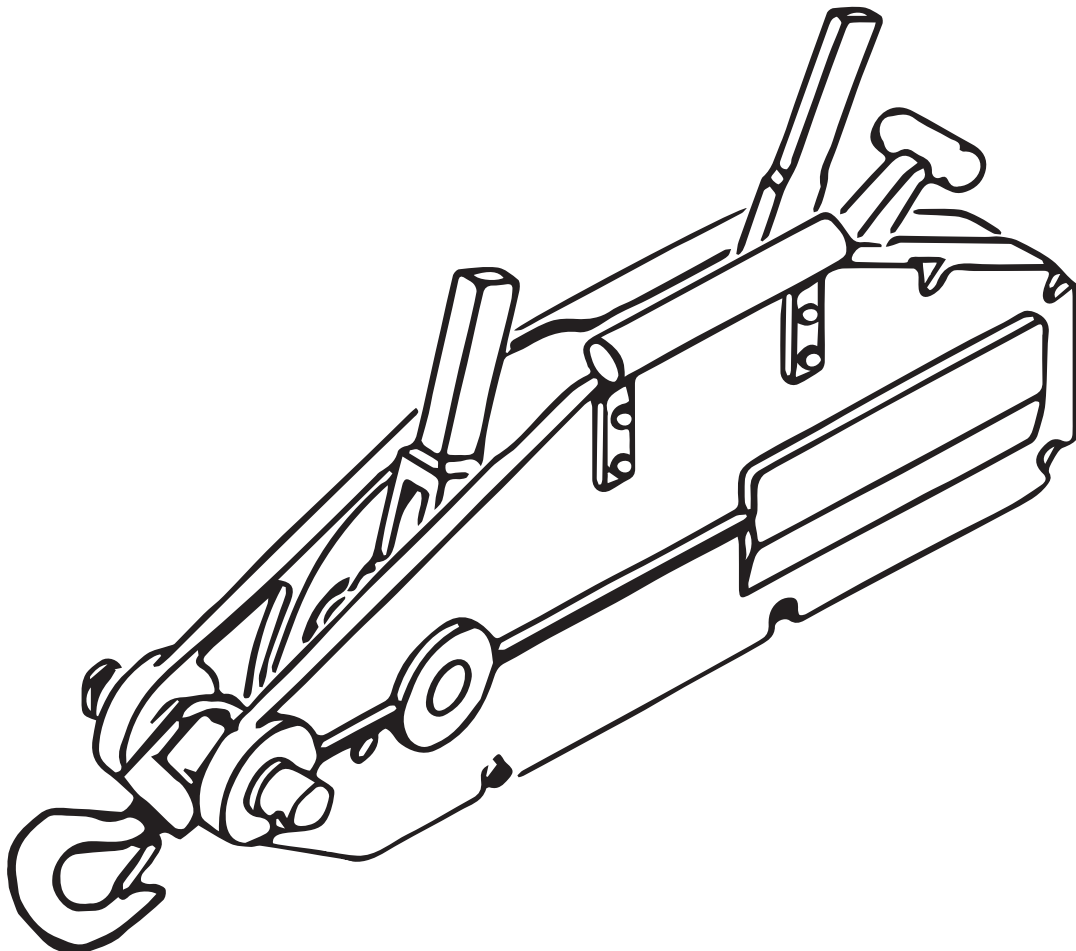
# Operator's MANUAL

**JGP SERIES GRIP PULLERS**

Prod. No. 111136

111137

111138



## TABLE OF CONTENTS

Warranty Policy .....	2, 3	Operation.....	5
Warnings.....	3	Maintenance.....	6
Introduction .....	4	Troubleshooting .....	6
Specifications.....	4	Parts Breakdown and Parts List.....	7 - 12
Unpacking, Assembly and Setup .....	4		
Inserting Wire Rope .....	5		

## WARRANTY POLICY

JET EQUIPMENT AND TOOLS LTD. (JET®) makes every effort to ensure its products are manufactured to the highest standards and are guaranteed against defects in materials and workmanship when the product is used for the purpose for which it was designed. This guarantee applies only to JET products purchased new from a JET authorized distributor.

JET product warranties are extended to the original retail purchaser only. This warranty does not apply to any product showing signs of abuse, misuse, alteration, or having been improperly maintained or repaired.

This warranty does not cover damage attributable to normal wear and tear.

Any JET product that fails during normal use and is within the specified warranty period for that product will be repaired or replaced at JET's discretion.

Repairs and/or replacements are warranted as described for the specific product only for the remainder of the warranty period.

Repair or replacement is the exclusive remedy for defective products under this warranty.

Warranty is expressly in lieu of all other warranties, including the implied warranty or merchantability or any implied warranty of fitness for a particular application.

Any JET product for which there is a warranty claim should be returned PREPAID to an authorized JET distributor or service centre. Authorized Warranty Depots can be found at [surewerx.com](http://surewerx.com)

All warranty claims must be accompanied by proof of purchase and an explanation of the defect or failure.

It is the customer's responsibility to provide this information.

JET shall not be held liable for any consequential or incidental damages for breach of any expressed or implied warranty on their products. No claim for damages or any type will be considered, and all products are sold with this understanding.

Any costs incurred to obtain warranty consideration or services are the Customer's responsibility including shipping and handling, travel, lost time or lost production.

## SPECIFIED WARRANTY – MATERIAL HANDLING

### 1 Year Limited Warranty

Chain Hoists Hand Cable Pullers  
 Air Hoists Lever Chain Pullers  
 Electric Hoists  
 Grip Pullers  
 Electric Trolleys Manual Adjustable Trolleys  
 Drum Clamps Beam Clamps  
 Plate Clamps Blocks and Sheaves  
 Pallet Trucks Mobile Lift Tables  
 Winches

### GENERAL INFORMATION ON JET CHAIN HOISTS AND PULLERS

**Customs Lifts** – Custom lift lengths are available, however, custom lift hoists and pullers are NOT returnable.

**CAUTION:** be sure that supporting structures and load-attaching devices used in conjunction with hoists, provide an adequate safety factor to handle the rated load plus the weight of the equipment. If in doubt, consult a qualified structural engineer.

This equipment is not to be used for lifting, supporting, or transporting people, or lifting, supporting, or transporting loads over people.

**IMPORTANT:** Before installation and operation, see maintenance and operations manual for additional warnings, precautions and operating instructions.

**NOTE:** Batteries supplied with certain products may have been subjected to long shelf life, resulting in low energy or a dead battery. Please source replacement batteries locally. Please follow instructions in the manuals for products using rechargeable batteries. Dead batteries do not constitute a warranty claim.

Any JET product that fails during normal use and is within the specified warranty period for that product will be repaired or replaced at JET's discretion. Repairs and/or replacements are warranted as described for the specific product and only for the remainder of the original warranty period.

Repair or replacement is the exclusive remedy for defective product under this warranty. Warranty is expressly in lieu of all other warranties, including the implied warranty of merchantability or any implied warranty of fitness

for a particular application. Any JET product for which there is a warranty claim should be returned PREPAID to an authorized JET distributor or service centre. Authorized Warranty Depots are found at [surewerx.com](http://surewerx.com)

ALL warranty claims must be accompanied by proof of purchase and an explanation of the responsibility including shipping and handling, travel, lost time, or lost production.

These general instructions deal with the normal installation, operation and maintenance situations encountered

with the Grip Puller described herein. The instructions should not be interpreted to anticipate every possible contingency or to anticipate the final system or configuration that uses these Grip Pullers.

These instructions include information for a variety of hand chain hoists. Therefore, all instructions and information may not apply to one specific Grip Puller. Disregard those portions of the instructions that do not apply.

## WARNINGS

1. Read and understand owner's manual before operating grip puller. Familiarize yourself with the content of the warning label on your puller.
2. Do not exceed rated capacity.
3. Supporting structure used with this device must provide adequate support to handle all puller operations plus the weight of the puller and attached equipment. If in doubt, consult a registered structural engineer.
4. Never use handle extensions (cheaters).
5. Do not use with twisted, kinked, frayed or otherwise damaged wire rope.
6. Do not use if grip puller is damaged or malfunctioning.
7. Do not lift people or loads over people. Always keep people clear from load path.
8. When using grip puller to lift vertically, make sure hook is centered under the puller.
9. Do not use as a tow line.
10. Do not use with a hook that is open or twisted, or without safety latch.
11. Never run wire rope over a sharp edge.
12. Never leave a suspended load unattended.
13. Do not swing a suspended load.
14. Always inspect the puller before each use. Replace if any component is damaged or malfunctioning.
15. Always use gloves when handling wire rope. Do not wear loose clothing which can become entangled in moving parts.
16. Do not use this grip puller in an explosive environment.
17. Give your work undivided attention. Looking around, carrying on a conversation and "horse-play" are careless acts that can result in serious injury.
18. Do not operate this tool while tired or under the influence of drugs, alcohol or any medication.
19. Failure to comply with the above warnings may result in personal injury and/or property damage.

## INTRODUCTION

This manual is provided by JET covering the safe operation and maintenance procedures for a JET Grip Puller. This manual contains instructions on installation, safety precautions, general operating procedures, maintenance instructions and parts breakdown. This tool has been designed and constructed to provide consistent, long-term

operation if used in accordance with instructions set forth in this manual. If there are any questions or comments, please contact either your local supplier or SureWerx. JET can also be reached at our web site: [www.surewerx.com](http://www.surewerx.com)

## SPECIFICATIONS

Product No.	111136	111137	111138
Model No.	JGP-75A	JGP-150A	JGP-300A
Pulling Capacity (lb)	2,860	5,720	11,440
Lifting Capacity (lb)	1,760	3,520	7,040
Force Req. to raise load (lb)	64	93	99
Dimensions (L x W x H)	16-3/4" x 2-1/2" x 9"	21-1/2" x 3-3/4" x 10-1/4"	26" x 4-1/2" x 12-1/2"
Cable Diameter	5/16"	7/16"	5/8"
Net Weight (lb)	39.7	45.2	71.6

\*NOTE: The above product numbers do not include the wire rope.

The above specifications were current at the time this manual was published, but because of our policy of continuous improvement, JET reserves the right to change specifications at any time and without prior notice, without incurring obligations.

## UNPACKING

Open carton and check for shipping damage. Report any damage immediately to your distributor and shipping agent. Do not discard any shipping material until the Grip Puller is assembled and operating properly.

Compare the contents of your container with the following parts list to make sure all parts are intact. Missing parts, if any, should be reported to your distributor. Read the instruction manual thoroughly for assembly, maintenance and safety instructions.

## ASSEMBLY AND SETUP

### Pre-Lubrication

Before proceeding with assembly, lubricate the puller as follows: Apply a lubricating oil to the puller mechanisms while continuously operating the reverse lever. This will help spread the oil to the internal parts. Use special care to oil pawls and links well. A wear resistant oil is recommended.

**CAUTION:** Without proper lubrication, the pawls will fail to engage the wire rope, and the wire rope will not move.

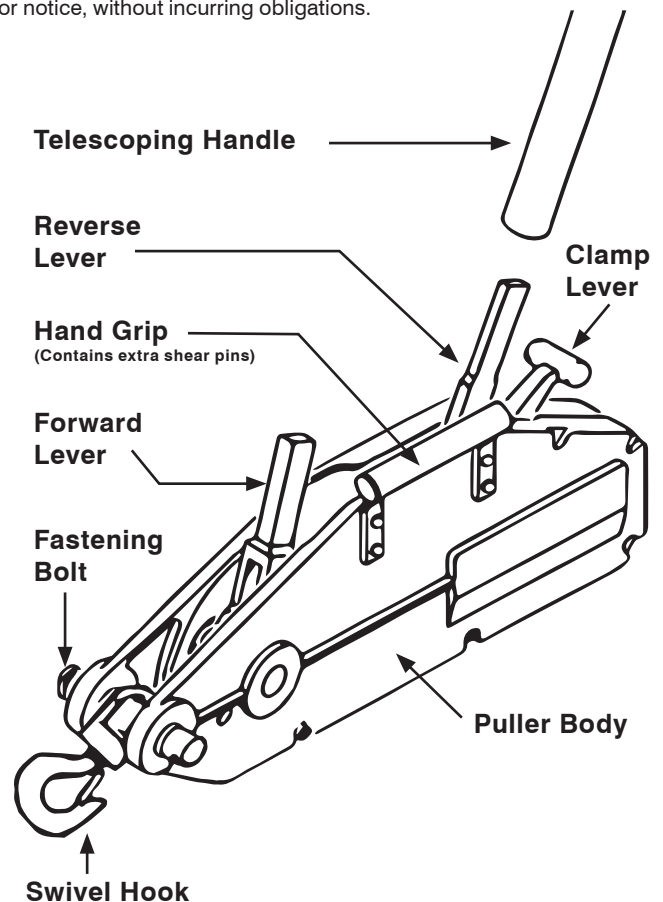


Figure 1.

## INSERTING WIRE ROPE

1. Release the clamp by pushing the clamp lever securely into the notch on the puller body.
2. Insert the end of the wire rope into the rope inlet at the rear of the puller. Feed the wire rope through until it emerges at the other end.
3. Pull the wire rope through by hand to take up the slack and make sure the exit point is not obstructed.
4. While keeping the wire rope taut, push down on the clamp lever and allow it to spring back to its natural position. This will engage the wire rope within the puller.
5. Mount the telescopic handle to either the forward or reverse lever, according to the action desired. Rotate the handle until it is secure on the lever.
6. The puller is now ready to operate.

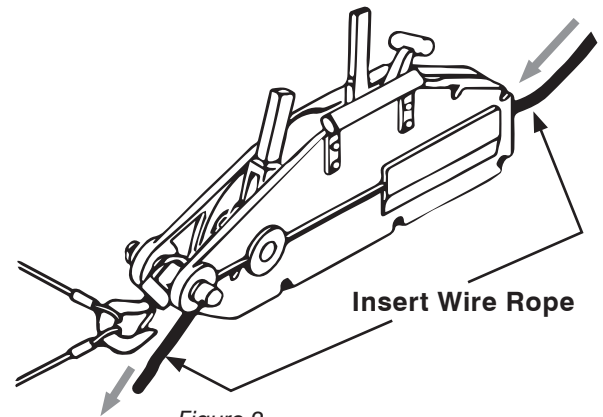


Figure 2.

## OPERATION

The grip puller uses standard ASA wire rope and may be used in any position to lift, pull, lower or stretch heavy loads. Before attempting operation of this product, you should become thoroughly familiar with the warnings on page 3.

### To operate the grip puller:

1. Place load cable(s) in the middle of the hook and inside the safety latch. **DO NOT** attach any cables outside the safety latch on either the puller hook or the wire rope hook.
2. Lay out the wire rope correctly without twisting. Twisting the wire rope reduces its strength. See Figure 5.
3. To send the wire rope forward, set the telescopic handle on the forward lever and move it back and forth.
4. To send the wire rope backward, set the telescopic handle on the reverse lever and move it back and forth.

**IMPORTANT:** A shear pin is installed in the forward lever. If the load being handled is too excessive for the puller's capacity, the shear pin is designed to break. If this occurs, **decrease the load or use other equipment of higher pulling capacity.** The broken shear pin is easily replaced using one of the spare shear pins which are found within the hand grip of the pullers. See Figure 1.

### Before storing the grip puller:

1. After use, remove the wire rope from the main body by setting the clamp lever into the notch (disengage clamp), then pulling the wire rope from the inlet side at the rear of the puller.
2. After the wire rope is removed, push the clamp lever out of the notch and let it snap back to its original position. If the clamp lever is kept in the notch for an extended time period, its spring may become stretched.
3. Wipe off any sand or water from the puller body, including internal mechanisms, and the wire rope, then apply oil liberally to both.
4. Store the grip puller away from rain, dew, high humidity areas or around acidic chemicals, which will promote rusting.

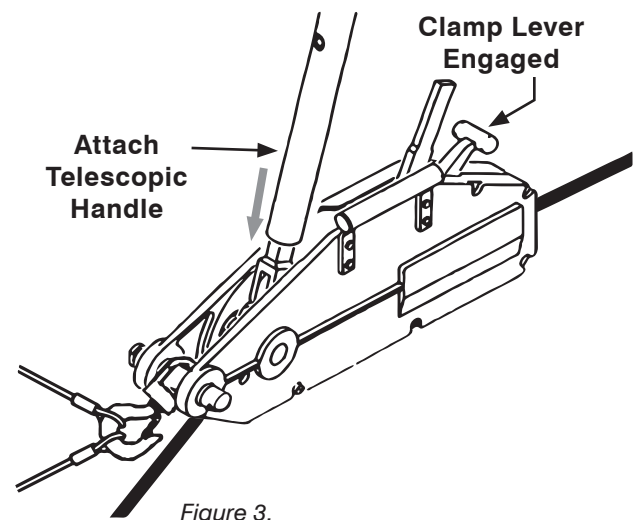


Figure 3.

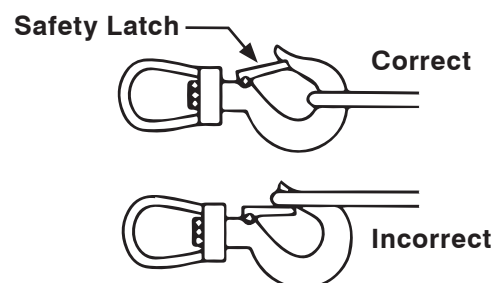


Figure 4.

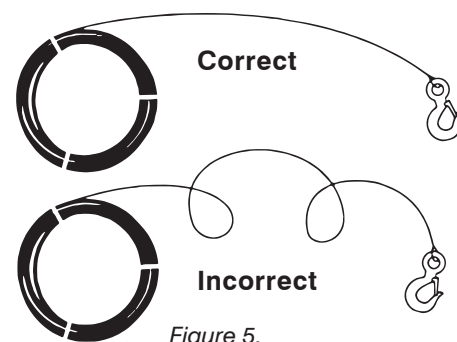


Figure 5.

## MAINTENANCE

Make frequent and careful inspections of the puller. Make sure puller and wire rope are sufficiently oiled, and that they are free of any sand, dirt, dust or other obstruction or abnormality.

Make sure hooks are not deformed and that the puller body has not been warped or damaged.

Use care to prevent the wire rope from kinking. If the rope is left shaped like a basket or is kinked many turns at a single point, its strength is greatly diminished and may result in failure.

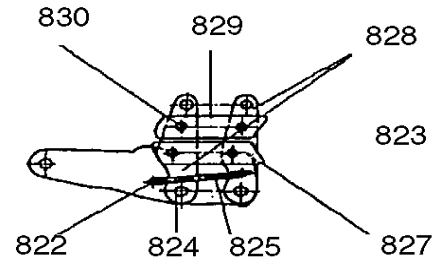
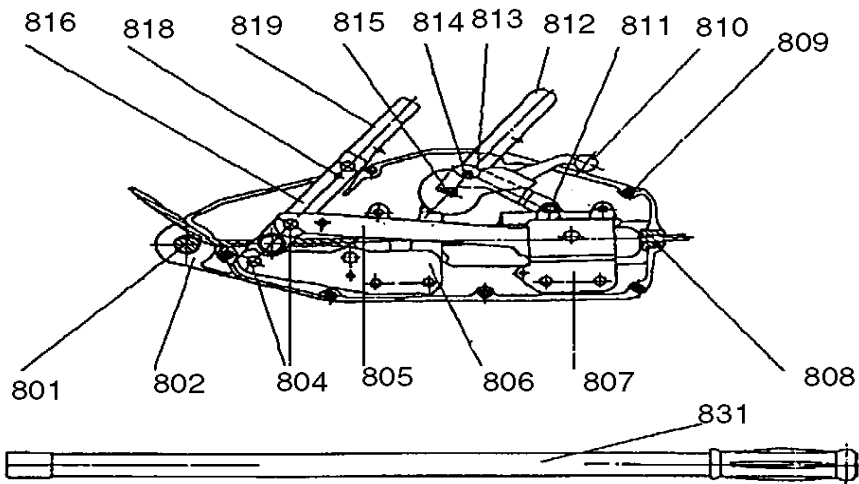
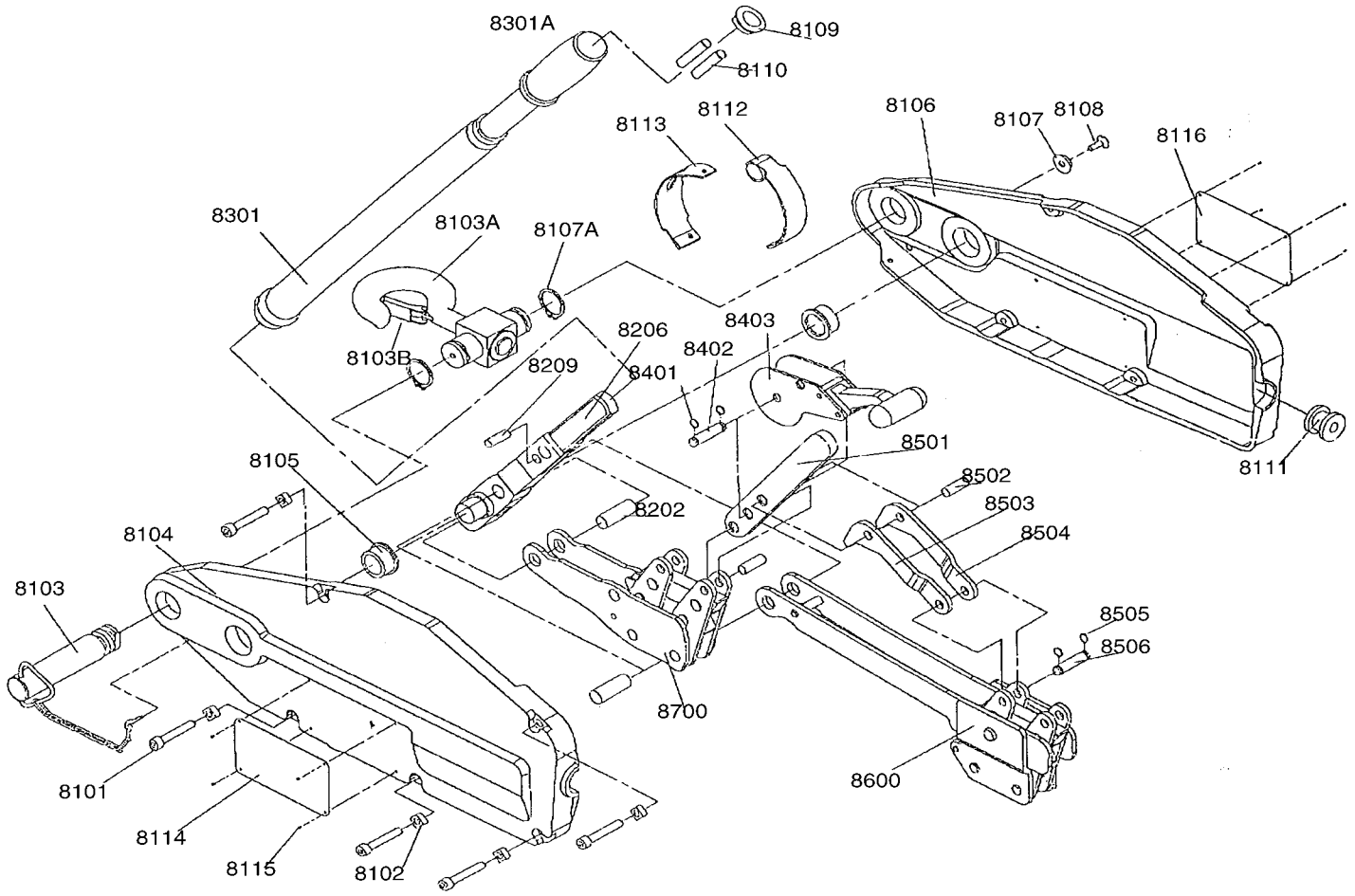
### Replace the wire rope immediately if:

- The thickness of the rope becomes less than half of the original value due to abrasion.
- The rope exhibits basket-like shapes, kinks, or any abnormal deformation.
- The rope is given an exceptionally heavy shock during operation; this can fatigue the rope even if the load is within puller capacity.
- The entire rope is napped due to many small cuts.
- The eye section (thimble) of the wire rope becomes elliptical in shape.
- The clamp is deformed.

## TROUBLESHOOTING

Trouble	Probable Cause	Remedy
Wire rope will not move in either direction.	Insufficient lubrication.	Oil the puller and wire rope.
	Puller is dirty.	Disassemble and clean out dust, dirt or other foreign matter. Oil the puller after reassembly.
	Clamp lever is not in proper position.	Release clamp lever from notch, and allow it to return to engaged position.
Wire rope will not advance during normal operation, or advances with great difficulty.	Clamp lever is not in proper position.	Release clamp lever from notch, and allow it to return to engaged position.
	Pawls are not lubricated.	Oil the pawl linkages properly; the pawls must engage the wire rope.
	Load is beyond puller capacity.	Decrease load.
	There is an obstruction within the wire rope's path.	Remove the wire rope; clean and oil the puller and the wire rope.
	The reverse lever is engaging the wire rope.	Check the position of the reverse lever. Correct as needed.
Clamp lever will not engage the wire rope properly.	Spring on clamp lever has become stretched.	Replace spring.

JGP75A | 3/4 T GRIP PULLER PARTS BREAKDOWN | PROD. NO. 111136



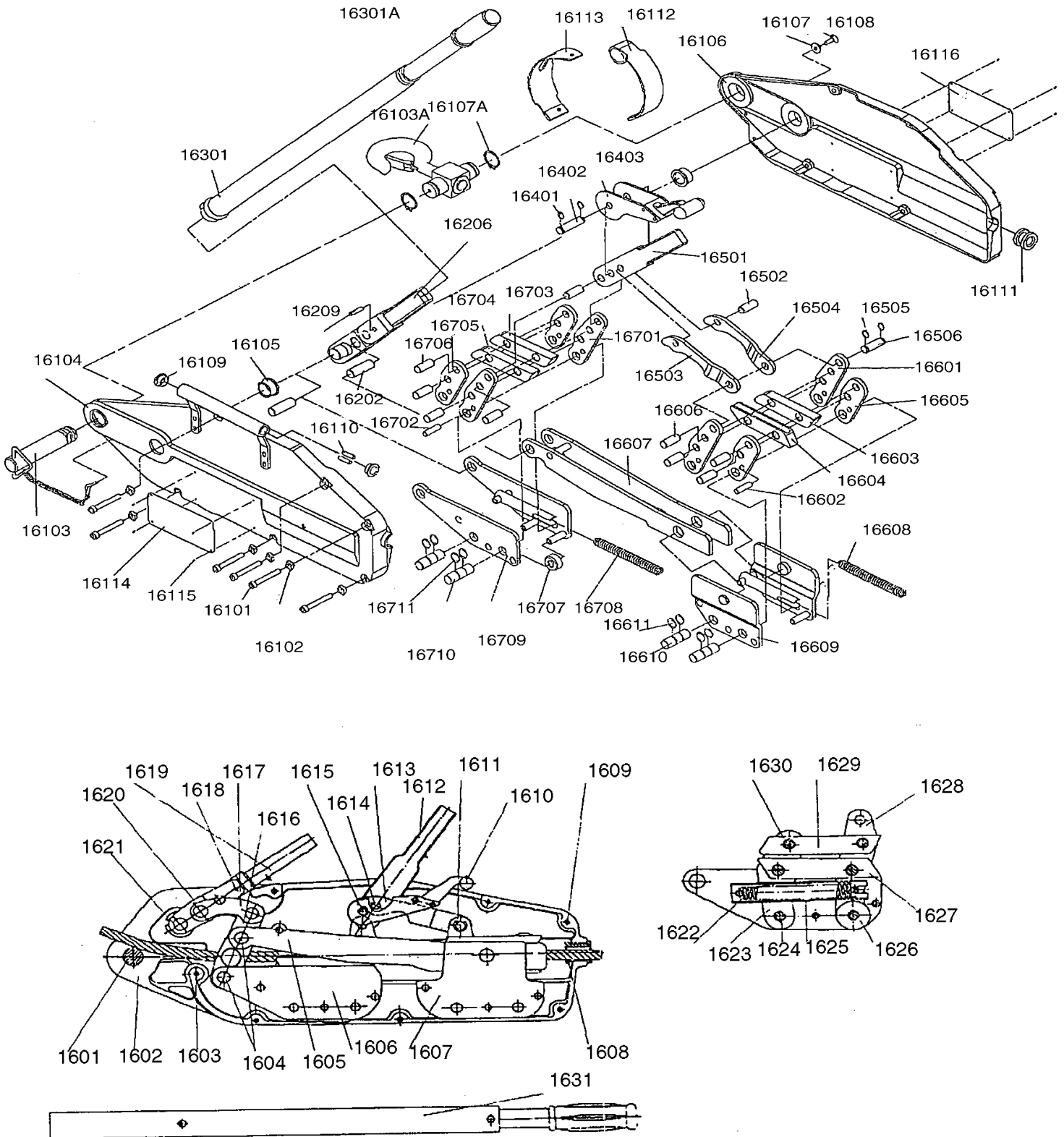
## JGP75A | 3/4 T GRIP PULLER PARTS LIST | PROD. NO. 111136

REF.	PART NUMBER	DESCRIPTION	REQ.	REF.	PART NUMBER	DESCRIPTION	REQ.
801	PWC-SGP75-801	SGP75 ANCHOR PIN	1	8108	PWC-SGP75-8108	SGP75 SCREW BOLT	1
802	PWC-SGP75-802	SGP75 CASE LEFT/RIGHT ALUMINUM	2	8109	PWC-SGP75-8109	SGP75A COVER	1
804	PWC-SGP75-804	SGP75 CRANK AXLE	1	8110	PWC-SGP75-818	SGP75 SHEAR PIN	1
805	PWC-SGP75-805	SGP75 CONNECTING ROD	2	8111	PWC-SGP75-808	SGP75 ROPE GUIDE	1
806	PWC-SGP75-806	SGP75 FRONT JAW BLOCK	1	8112	PWC-SGP75-8112	SPG75A UPPER DUST SHIELD	1
807	PWC-SGP75-807	SGP75 REAR JAW BLOCK	1	8113	PWC-SGP75-8113	SPG75A LOWER DUST SHIELD	1
808	PWC-SGP75-808	SGP75 ROPE GUIDE	1	8114	PWC-SGP75-8114	SGP75A NAME PLATE	1
809	PWC-SGP75-809	SGP75 CASE BOLT	6	8115	PWC-SGP75-8115	SGP75A RIVET	8
810	PWC-SGP75-810	SGP75 RELEASE HANDLE	1	8116	PWC-SGP75-8116	SGP75A INSTRUCTION PLATE	1
811	PWC-SGP75-811	SGP75 RELEASE CONNECTING ROD AXLE	1	8202	PWC-SGP75-804	SGP75 CRANK AXLE	2
812	PWC-SGP75-812	SGP75 REVERSE LEVER	1	8206	PWC-SGP75-816	SGP75 SHAKE ROD W/819 OPERATING LEVER	1
813	PWC-SGP75-813	SGP75 CONNECTING ROD LEFT SIDE	1	8206	PWC-SGP75-819	SGP75 OPERATING LEVER W/816 SHAKE ROD	1
814	PWC-SGP75-814	SGP75 CONNECTING AXLE	1	8209	PWC-SGP75-818	SGP75 SHEAR PIN	1
815	PWC-SGP75-515	SGP75 RELEASE HANDLE PIN	1	8301	PWC-SGP75-831	SGP75 TELESCOPIC HANDLE	1
816	PWC-SGP75-816	SGP75 SHAKE ROD W/819 OPERATING LEVER	1	8401	PWC-SGP75-8401	SGP75A SNAP RING	2
818	PWC-SGP75-818	SGP75 SHEAR PIN	1	8402	PWC-SGP75-815	SGP75 RELEASE HANDLE PIN	1
818	PWC-SGP75-18A	SGP75 SHEAR PIN 7.5 MM	1	8403	PWC-SGP75-810	SGP75 RELEASE HANDLE	1
819	PWC-SGP75-819	SGP75 OPERATING LEVER W/816 SHAKE ROD	1	8501	PWC-SGP75-812	SGP75 REVERSE LEVER	1
822	PWC-SGP75-822	SGP75 SPRING	1	8502	PWC-SGP75-814	SGP75 CONNECTING AXLE	1
823	PWC-SGP75-823	SGP75 CLAMP PLATE W/828 LONG CLAMP PLATE	2	8503	PWC-SGP75-813	SGP75 CONNECTING ROD LEFT SIDE	2
824	PWC-SGP75-824	SGP75 CLAMP PLATE AXLE	1	8504	PWC-SGP75-8504	SGP75A CONNECTING ROD RIGHT SIDE	1
825	PWC-SGP75-825	SGP75 SPRING HOUSING	1	8505	PWC-SGP75-8505	SGP75A SNAP RING	2
827	PWC-SGP75-827	SGP75 LOWER JAW	2	8506	PWC-SGP75-811	SGP75 RELEASE CONNECTING ROD AXLE	1
828	PWC-SGP75-828	SGP75 LONG CLAMP PLATE	2	8600	PWC-SGP75-8600	SGP75A REAR JAW BLOCK ASSY SET	1
829	PWC-SGP75-829	SGP75 UPPER JAW	2	8700	PWC-SGP75-8700	SGP75A FRONT JAW BLOCK ASSY	1
830	PWC-SGP75-830	SGP75 JAW AXLE	4	8103A	PWC-SGP75-8103	SGP75A TOP HOOK	1
831	PWC-SGP75-831	SGP75 TELESCOPIC HANDLE	1	8103B	PWC-SGP75A-SAF	SGP75A SWIVEL HOOK SAFETY LATCH KIT	1
8101	PWC-SGP75-809	SGP75 CASE BOLT	6	8107A	PWC-SGP75-8107A	SGP75A SNAP RING	2
8102	PWC-SGP75-8102	SGP75A NUT	6	8301A	PWC-SGP75-8301A	SGP75 TELESCOPIC HANDLE RUBBER GRIP	1
8103	PWC-SGP75-801	SGP75 ANCHOR PIN	1	**	PELJG75BCP	JG75 WIRE ROPE LOWER HOOK	1
8104	PWC-SGP75A-8104	SGP75A CASE LEFT METAL	1	**	PELJG75SAF	JG75 WIRE ROPE LOWER HOOK LATCH KIT	1
8105	PWC-SGP75-8105	SGP75A BUSHING FOR SHAKE ROD	2				
8106	PWC-SGP75A-8106	SGP75A CASE RIGHT METAL	1				
8107	PWC-SGP75-8107	SGP75 WASHER	1				

**Note: To determine if the puller is old or new style, establish if the unit has a top hook (new) or a pin (old). See reference numbers 8103 and 8103A located on parts breakdown, for further clarification.**



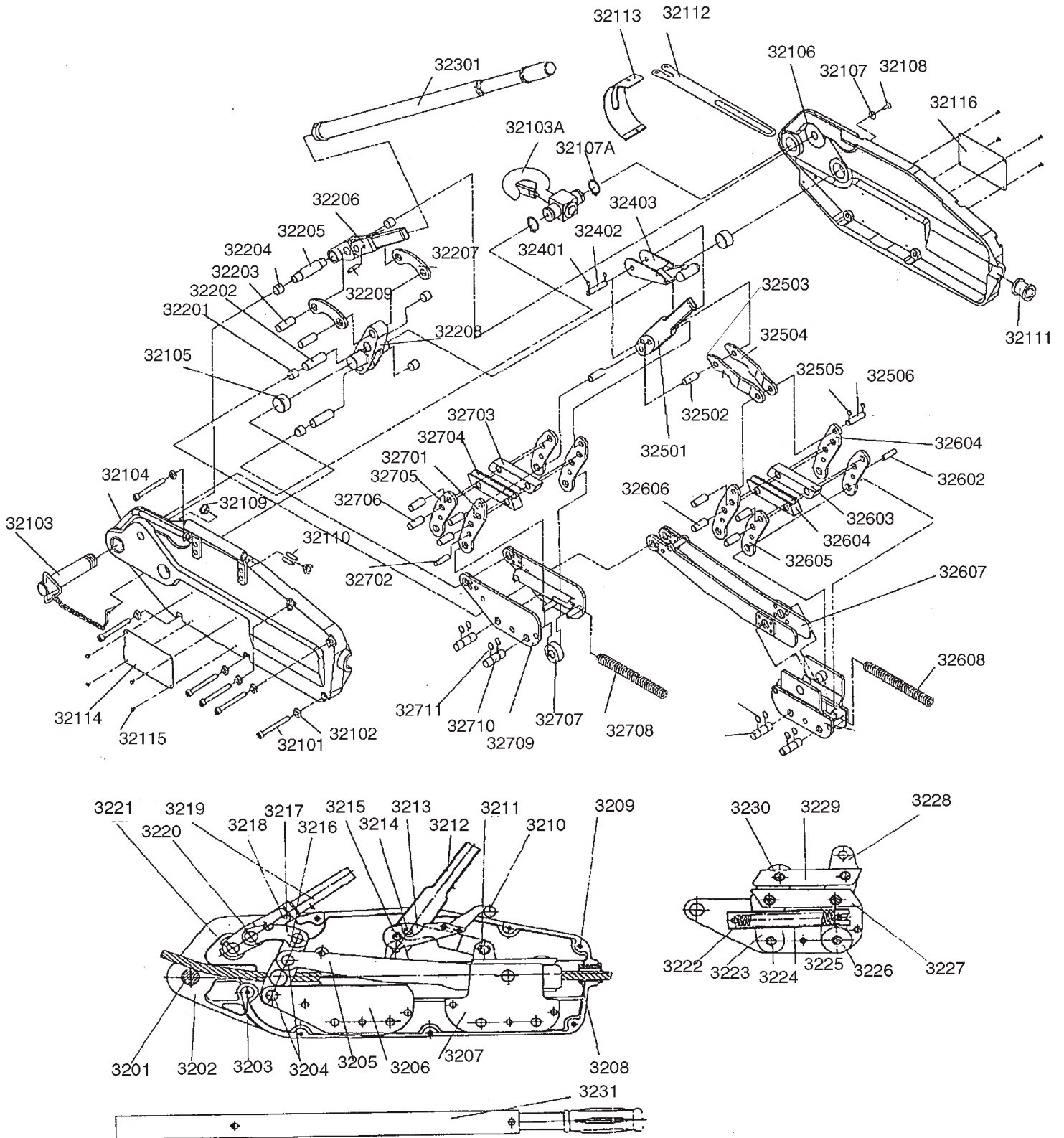
JGP150A | 1-1/2 T GRIP PULLER PARTS BREAKDOWN | PROD. NO. 111137



## JGP150A | 1-1/2 T GRIP PULLER PARTS LIST | PROD. NO. 111137

REF.	PART NUMBER	DESCRIPTION	REQ.	REF.	PART NUMBER	DESCRIPTION	REQ.
1601	PWC-SGP150-1601	SGP150 ANCHOR PIN	1	16116	PWC-SGP15-16116	SGP150A INSTRUCTION PLATE	1
1602	PWC-SGP150-1602	SGP150 CASE LEFT/RIGHT ALUMINUM	2	16202	PWC-SGP150-1604	SGP150 CRANK AXLE	1
1604	PWC-SGP150-1604	SGP150 CRANK AXLE	1	16206	PWC-SGP150-1616	SGP150 SHAKE ROD USE 1619	1
1605	PWC-SGP150-1605	SGP150 CONNECTING ROD	2	16209	PWC-SGP150-18	SGP150A SHEAR PIN	1
1606	PWC-SGP150-1606	SGP150 FRONT JAW BLOCK	1	16301	PWC-SGP150-1631	SGP150 TELESCOPIC HANDLE	1
1607	PWC-SGP150-1607	SGP150 REAR JAW BLOCK	1	16401	PWC-SGP15-16401	SGP150A SNAP RING	2
1608	PWC-SGP150-1608	SGP150 ROPE GUIDE	1	16402	PWC-SGP150-1615	SGP150 RELEASE HANDLE PIN	1
1609	PWC-SGP150-1609	SGP150 CASE BOLT	6	16403	PWC-SGP150-1610	SGP150 RELEASE HANDLE	1
1610	PWC-SGP150-1610	SGP150 RELEASE HANDLE	1	16501	PWC-SGP150-1612	SGP150 REVERSE LEVER	1
1611	PWC-SGP150-1611	SGP150 RELEASE CONNECTING ROD AXLE	1	16502	PWC-SGP150-1614	SGP150 CONNECTING AXLE	1
1612	PWC-SGP150-1612	SGP150 REVERSE LEVER	1	16503	PWC-SGP150-1613	SGP150 CONNECTING ROD	1
1613	PWC-SGP150-1613	SGP150 CONNECTING ROD	2	16504	PWC-SGP150-1613	SGP150 CONNECTING ROD	1
1614	PWC-SGP150-1614	SGP150 CONNECTING AXLE	1	16505	PWC-SPC15-16505	SGP150A SNAP RING	2
1615	PWC-SGP150-1615	SGP150 RELEASE HANDLE PIN	1	16506	PWC-SGP150-1611	SGP150 RELEASE CONNECTING ROD AXLE	1
1616	PWC-SGP150-1616	SGP150 SHAKE ROD USE 1619	1	16601	PWC-SGP15-16601	SGP150A LONG CLAMP PLATE	2
1618	PWC-SGP150-18	SGP150 SHEAR PIN	1	16602	PWC-SGP15-16602	SGP150A CLAMP PLATE PIN	1
1619	PWC-SGP150-1619	SGP150 OPERATING LEVER C/W 1616	1	16603	PWC-SGP15-16603	SGP150A UPPER JAW	1
1622	PWC-SGP150-1622	SGP150 SPRING	2	16604	PWC-SGP15-16604	SGP150A LOWER JAW	1
1623	PWC-SGP150-1623	SGP150 CLAMP PLATE	1	16605	PWC-SGP15-16605	SGP150A CLAMP PLATE	2
1624	PWC-SGP150-1624	SGP150 CLAMP PLATE AXLE	1	16606	PWC-SGP15-16606	SGP150A JAW AXLE	4
1625	PWC-SPC150-1625	SGP150 SPRING HOUSING	2	16607	PWC-SGP150-1605	SGP150 CONNECTING ROD	2
1626	PWC-SGP150-1626	SGP150 SUPPORT WHEEL	1	16608	PWC-SGP15-16608	SGP150A SPRING	1
1627	PWC-SGP150-1627	SGP150 LOWER JAW	2	16609	PWC-SGP150-1607	SGP150 REAR JAW BLOCK	1
1628	PWC-SGP150-1628	SGP150 LONG CLAMP PLATE	2	16610	PWC-SGP15-16610	SGP150A CLAMP PLATE AXLE	2
1629	PWC-SGP150-1629	SGP150 UPPER JAW	2	16611	PWC-SGP15-16611	SGP150A SNAP RING	4
1630	PWC-SGP150-1630	SGP150 JAW AXLE	4	16701	PWC-SGP150-1628	SGP150 LONG CLAMP PLATE	2
1631	PWC-SGP150-1631	SGP150 TELESCOPIC HANDLE	1	16702	PWC-SGP15-16702	SGP150A CLAMP PLATE PIN	1
16101	PWC-SGP150-1609	SGP150 CASE BOLT	6	16703	PWC-SGP150-1629	SGP150 UPPER JAW	2
16102	PWC-SGP15-16102	SGP150A CASE NUT	6	16704	PWC-SGP150-1627	SGP150 LOWER JAW	2
16103	PWC-SGP150-1601	SGP150 ANCHOR PIN	1	16705	PWC-SGP150-1623	SGP150 CLAMP PLATE	1
16104	PWC-SGP15-16104	SGP150A CASE LEFT METAL	1	16706	PWC-SGP150-1630	SGP150 JAW AXLE	4
16105	PWC-SGP15-16105	SGP150A BUSH FOR SHAKE ROD	2	16707	PWC-SPC150-1625	SGP150 SPRING HOUSING	2
16106	PWC-SGP15-16106	SGP150A CASE RIGHT METAL	1	16708	PWC-SGP150-1622	SGP150 SPRING	2
16107	PWC-SGP15-16107	SGP150A WASHER	1	16709	PWC-SGP150-1606	SGP150 FRONT JAW BLOCK	1
16109	PWC-SGP15-16109	SGP150A PLASTIC PLUG	1	16710	PWC-SGP15-16710	SGP150A CLAMP PLATE AXLE	2
16111	PWC-SGP150-1608	SGP150 ROPE GUIDE	1	16711	PWC-SGP15-16711	SGP150A SNAP RING	4
16112	PWC-SGP15-16112	SPG150A UPPER DUST SHIELD	1	16103A	PWC-SGP15-16103	SGP150 TOP HOOK	1
16113	PWC-SGP15-16113	SPG150A LOWER DUST SHIELD	1	16103B	PWC-SGP150A-SAF	SGP150A SWIVEL HOOK SAFETY LATCH KIT	1
16114	PWC-SGP15-16114	SGP150A NAME PLATE	1	16107A	PWC-SGP15-16107A	SGP150A SNAP RING	2
16115	PWC-SGP15-16115	SGP150A RIVET	8	16301A	PWC-SGP15-16301A	SGP150A TELESCOPIC HANDLE RUBBER GRIP	1
				1634	PWC-SGP150-1634	TOP HOOK	1

**JGP300A | 3 T GRIP PULLER PARTS BREAKDOWN | PROD. NO. 111138**



## JGP300A | 3 T GRIP PULLER PARTS LIST | PROD. NO. 111138

REF.	PART NUMBER	DESCRIPTION	REQ.	REF.	PART NUMBER	DESCRIPTION	REQ.
3201	PWC-SGP300-3201	ANCHOR PIN	1	32116	PWC-SGP30-32116	INSTRUCTION PLATE	1
3202	PWC-SGP300-3202	CASE LEFT/RIGHT SIDE	2	32201	PWC-SGP300-32201	BUSH FOR CRANK AXLE NO LONGER USED	
3203	PWC-SGP300-3203	LONG HEX HEAD CASE BOLT	1	32202	PWC-SGP300-3204	CRANK AXLE	2
3204	PWC-SGP300-3204	CRANK AXLE	1	32203	PWC-SGP300-3220	CONNECTING ROD AXLE	2
3205	PWC-SGP300-3205	CONNECTING ROD	1	32204	PWC-SGP30-32204	BUSH FOR OPERATING HANDLE AXLE	2
3206	PWC-SGP300-3206	FRONT JAW BLOCK	1	32205	PWC-SGP300-3221	OPERATING HANDLE AXLE	1
3207	PWC-SGP300-3207	REAR JAW BLOCK	1	32206	PWC-SGP300-3219	OPERATING LEVER	1
3208	PWC-SGP300-3208	ROPE GUIDE	1	32207	PWC-SGP300-3217	CONNECTING ROD	1
3209	PWC-SGP300-3209	HOUSING SCREW BOLT	6	32208	PWC-SGP300-3216	SHAKE ROD	1
3210	PWC-SGP300-3210	RELEASE HANDLE	1	32209	PWC-SGP150-18	SHEAR PIN	1
3211	PWC-SGP300-3211	RELEASE CONNECTING ROD AXLE	1	32301	PWC-SGP300-3231	TELESCOPE HANDLE	1
3212	PWC-SGP300-3212	REVERSING LEVER	1	32401	PWC-SGP30-32401	SNAP RING	2
3213	PWC-SGP300-3213	CONNECTING ROD	2	32402	PWC-SGP300-3215	RELEASE HANDLE PIN	1
3214	PWC-SGP300-3214	CONNECTING AXLE	1	32403	PWC-SGP300-3210	RELEASE HANDLE	1
3215	PWC-SGP300-3215	RELEASE HANDLE PIN	1	32501	PWC-SGP300-3212	REVERSING LEVER	1
3216	PWC-SGP300-3216	SHAKE ROD	1	32502	PWC-SGP300-3214	CONNECTING AXLE	1
3217	PWC-SGP300-3217	CONNECTING ROD	1	32503	PWC-SGP300-3213	CONNECTING ROD(LLEFT SIDE)	1
3218	PWC-SGP150-18	SHEAR PIN	1	32504	PWC-SGP300-3213	CONNECTING ROD(RIGHT SIDE)	1
3219	PWC-SGP300-3219	OPERATING LEVER	1	32505	PWC-SGP30-32505	SNAP RING	2
3220	PWC-SGP300-3220	CONNECTING ROD AXLE	1	32506	PWC-SGP300-3211	RELEASE CONNECTING ROD AXLE	1
3221	PWC-SGP300-3221	OPERATING HANDLE AXLE	1	32601	PWC-SGP30-32601	LONG CLAMP PLATE	2
3222	PWC-SGP300-3222	SPRING	1	32602	PWC-SGP30-32602	CLAMP PLATE PIN	1
3223	PWC-SGP300-3223	CLAMP PLATE	2	32603	PWC-SGP30-32603	UPPER JAW	1
3224	PWC-SGP300-3224	CLAMP PLATE AXLE	2	32604	PWC-SGP30-32604	LOWER JAW	1
3225	PWC-SGP300-3225	SPRING HOUSNG	1	32605	PWC-SGP30-32605	CLAMP PLATE	2
3226	PWC-SGP300-3226	SUPPORT WHEEL	1	32606	PWC-SGP30-32606	JAW AXLE	4
3227	PWC-SGP300-3227	LOWER JAW	1	32607	PWC-SGP300-3205	CONNECTING ROD	1
3228	PWC-SGP300-328	LONG CLAMP PLATE	2	32608	PWC-SGP30-32608	SPRING	1
3229	PWC-SGP300-3229	UPPER JAW	1	32609	PWC-SGP300-3207	REAR JAW BLOCK	1
3230	PWC-SGP300-3230	JAW AXLE	4	32610	PWC-SGP30-32610	CLAMP PLATE AXLE	2
3231	PWC-SGP300-3231	TELESCOPE HANDLE	1	32611	PWC-SGP30-32611	SNAP RING	4
32101	PWC-SGP300-3209	HOUSING SCREW BOLT	6	32701	PWC-SGP300-328	LONG CLAMP PLATE	2
32102	PWC-SGP30-32102	NUT	1	32702	PWC-SGP30-32702	CLAMP PLATE PIN	1
32103	PWC-SGP300-3201	ANCHOR PIN	1	32703	PWC-SGP300-3229	UPPER JAW	1
32104	PWC-SGP30-32104	HOUSING (LEFT SIDE)	1	32704	PWC-SGP300-3227	LOWER JAW	1
32105	PWC-SGP30-32105	BUSH FOR SHAKE ROD NO LONGER USED		32705	PWC-SGP300-3223	CLAMP PLATE	2
32106	PWC-SGP30-32106	HOUSING (RIGHT SIDE)	1	32706	PWC-SGP300-3230	JAW AXLE	4
32107	PWC-SGP75-8107	WASHER	1	32707	PWC-SGP300-3226	SUPPORT WHEEL	1
32108	PWC-SGP75-8108	SCREW BOLT	1	32708	PWC-SGP300-3222	SPRING	1
32109	PWC-SGP30-32109	COVER	1	32709	PWC-SGP300-3206	FRONT JAW BLOCK	1
32110	PWC-SGP150-18	SPARE SHEAR PIN	2	32710	PWC-SGP300-3224	CLAMP PLATE AXLE	2
32111	PWC-SGP300-3208	ROPE GUIDE	1	32711	PWC-SGP30-32711	SNAP RING	4
32112	PWC-SGP30-32112	UPPER DUST PROOF	1	32103A	PWC-SGP3032103A	SWIVEL HOOK(FOR A TYPE)	1
32113	PWC-SGP30-32113	LOWER DUST PROOF	1	32103B	PWC-SGP300A-SAF	SAFTEY LATCH W HARDWARE	1
32114	PWC-SGP30-32114	NAMEPLATE	1	32107A	PWC-SGP3032107A	SNAP RING(FOR A TYPE)	2
32115	PWC-SGP15-16115	RIVET	8		PWC-SGP300-3234	SWIVEL HOOK	1