

# Owner's MANUAL

## 9L Manual Fluid Extraction Pump

Prod. No. 350551  
Mod. No. JMEP-9



### WARNING

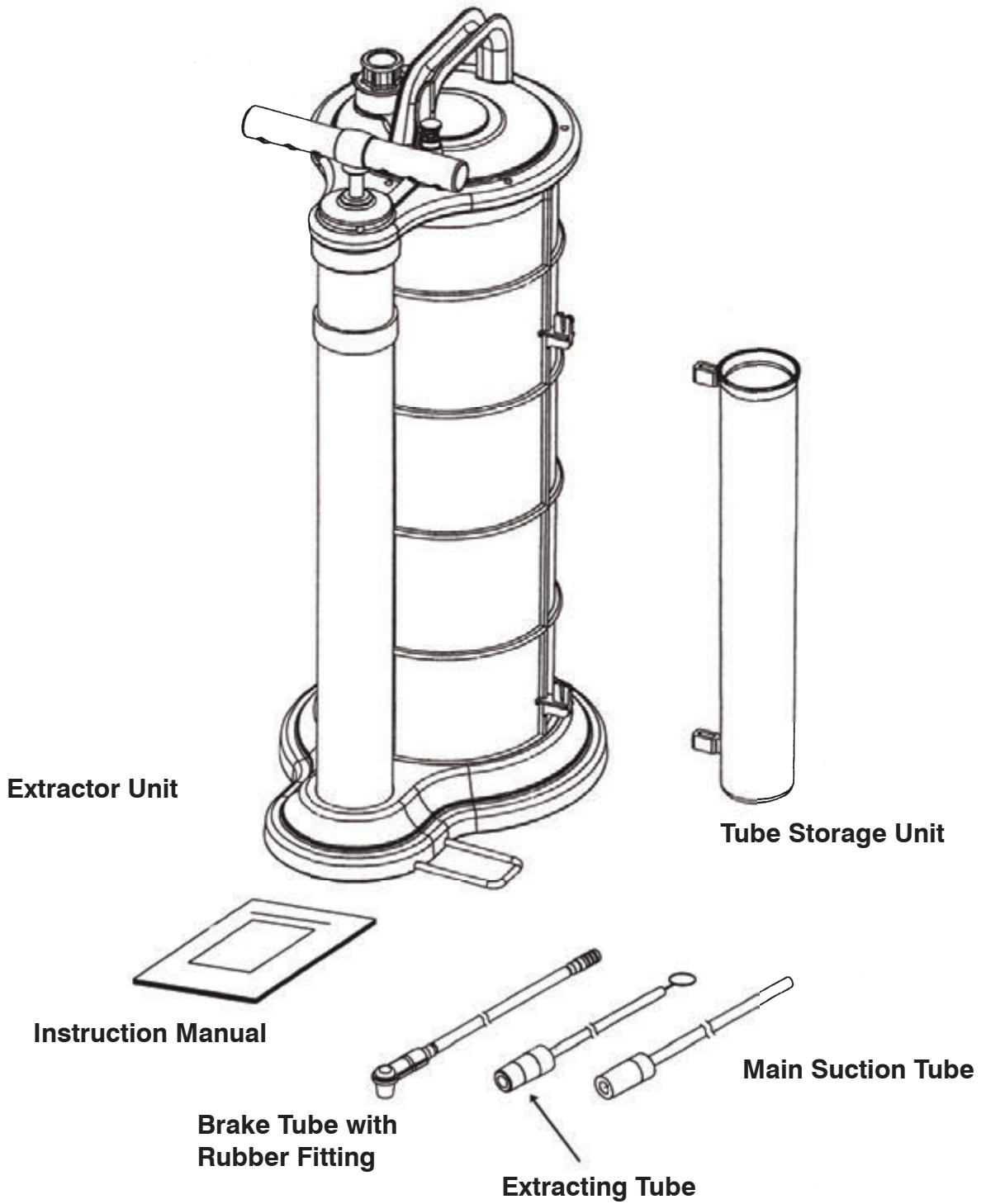
---

**Please read all instructions and warnings carefully before use**

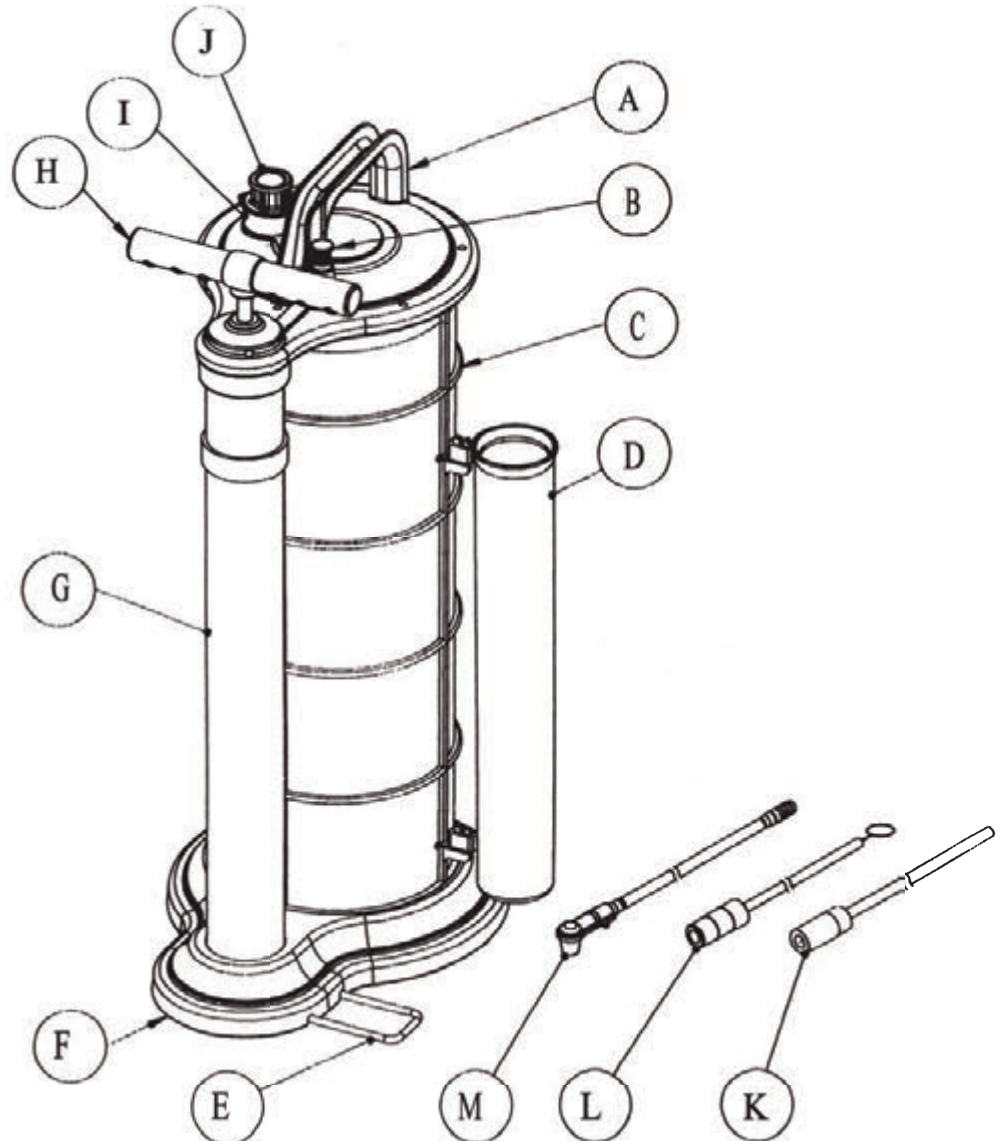
- This unit is not intended for use with gasoline.
- For safety reasons, do not use the unit to extract or store dangerous chemicals, poison, acid, alkaloid, or solvents.
- Do not use the unit to extract, siphon or store petroleum or other highly flammable liquids.
- Do not throw, drop or mishandle the unit.
- Do not disassemble, tamper with or modify the unit for any other purpose than that for which it was originally intended.
- Do not store either the unit or suction tubes near areas of high temperatures, direct sunlight, rain or snow.
- It is highly recommended that the unit be drained and cleaned after each use.

**EXTRACTOR PARTS**

---



**EXTRACTOR UNIT COMPONENTS**



- A. Housing Cover
- B. Pressure Release Valve
- C. Reservoir Tank
- D. Tube Storage Unit
- E. Footboard
- F. Base
- G. Hand Pump
- H. Handle
- I. Fluid Outlet Housing
- J. Fluid Inlet Coupler
- K. Fluid Inlet Tube
- L. Extracting Tube
- M. Brake Tube with Rubber Fitting

## OPERATING INSTRUCTIONS

---

### Notes:

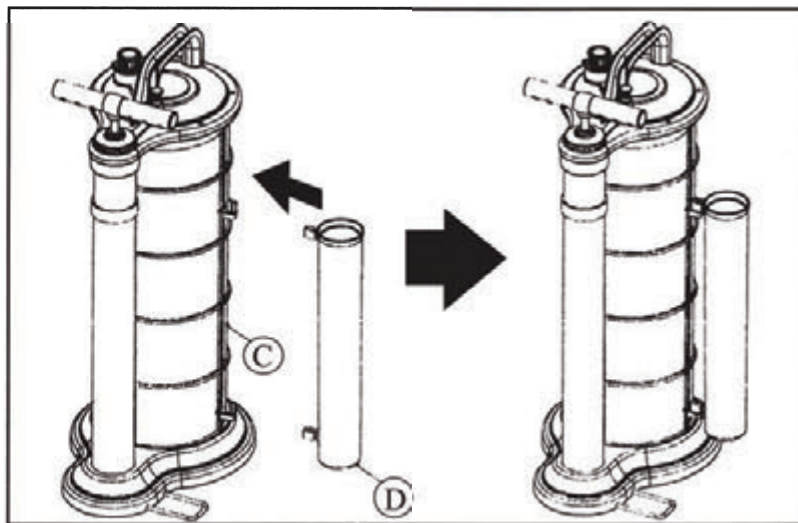
When using the Manual Fluid Extraction Pump to extract engine oil, first you need to make sure the vehicle is level, and then run the engine for about 5 minutes to warm the oil and allow any sludge or contamination within the oil to mix.



### OPERATING STEPS:

---

1. Set up the Tube Storage Unit ( D ) into the two hooks of the Reservoir Tank ( C )



2. Remove the oil dipstick from the engine.



3. Insert the Extracting Tube ( L ) into the dipstick hole until it reaches the bottom of the oil pan.

Connect the Fluid Inlet Tube ( K ) into the Fluid Inlet Coupler ( J ) with the Fluid Inlet Tube Adapter.

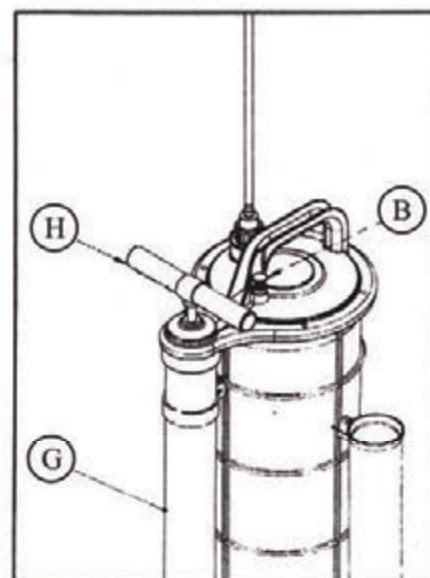
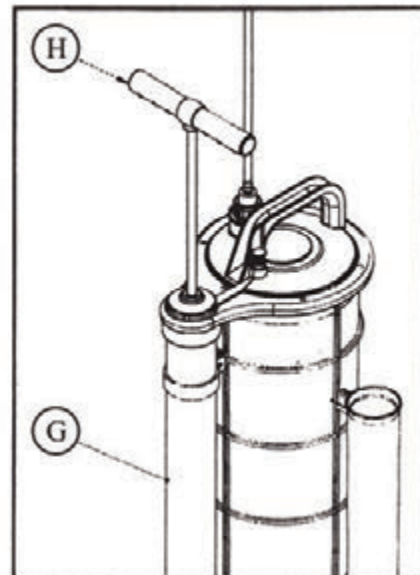
The Fluid Inlet Tube ( K ) will connect to the Extracting Tube ( L ) with the Extracting Tube Adapter.



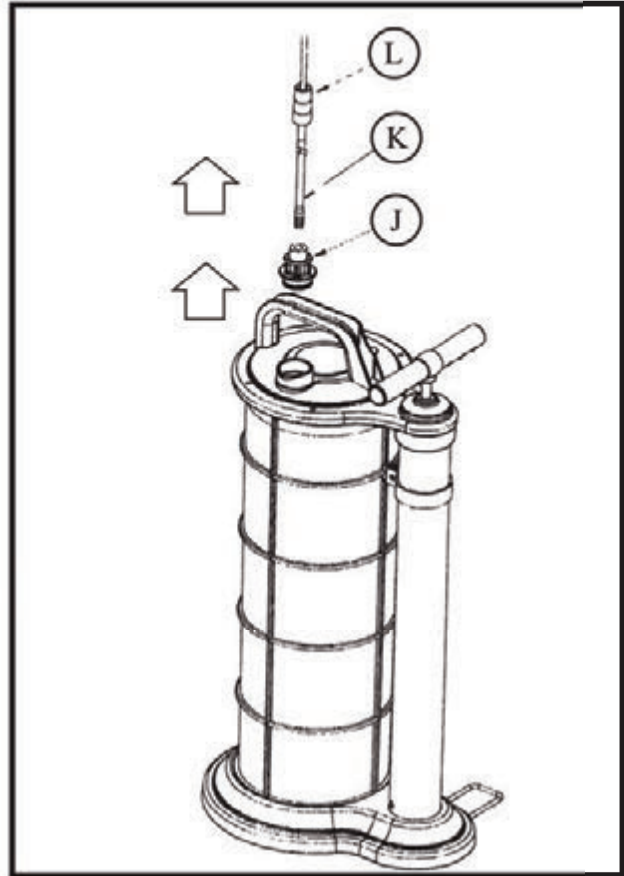
4. Lift the Handle ( H ) of the Hand Pump ( G ) to the top position and press it to the bottom position repeatedly.

The Extraction Pump will start operating.

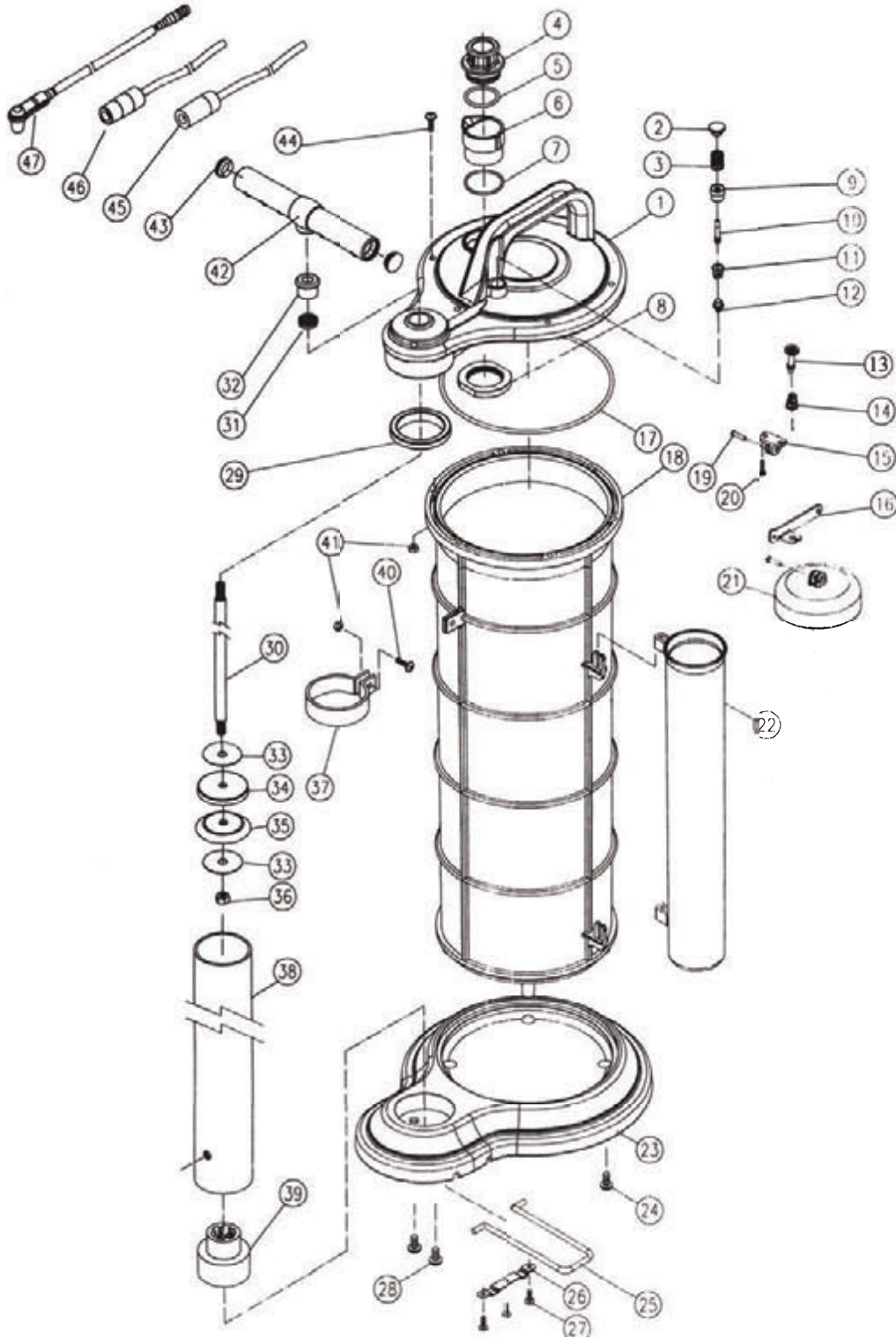
5. When the fluid inside the extractor tank reaches "Full" position, the Extraction Pump will shut off automatically, the Handle ( H ) of the Hand Pump ( G ) will lock. Push the Pressure Release Button ( B ) on the side of the Cover Housing ( A ), and then press the Handle ( H ) of the Hand Pump ( G ) to the bottom position to release Hand Pump from locked position.



6. Disconnect the Fluid Inlet Tube ( K ) and the Extracting Tube ( L ), remove them from the dipstick hole, open the Fluid Inlet Coupler ( J ) and dispose of the oil or fluid in accordance to the laws and guidelines of your province.



PARTS LIST



## PART LIST

Index	Parts No.	Description	Unit	Index	Parts No.	Description	Unit
1	PX90M-01	Cover Housing	1	26	PX90-12	Fixed Strip	1
2	PX90-49	Release Button	1	27	PX90-35	Screw $\varnothing$ 4 x 10mm	3
3	PX90-49-1	Spring	1	28	PX90-36	Screw M8 x 16mm	2
4	PX90-06	Fluid Inlet Coupler	1	29	PX90M-29	Ring Seal	1
5	PX90-14	O Ring 25.2 x $\varnothing$ 2.7mm	1	30	PX90-18	Shaft	1
6	PX90-05	Fluid Outlet Housing	1	31	PX90-28	Oil Seal	1
7	PX90-32	O Ring 31 x $\varnothing$ 1.0mm	1	32	PX90-27	Holder	1
8	PX90-09	Lock Nut	1	33	PX90-47	Flat Washer	2
9	PX90-49-6	Locking Bushing	1	34	PX90-46	Piston Spacer	1
10	PX90-49-3	Shaft	1	35	PX90-45	Piston	1
11	PX90-49-5	Spring	1	36	PX90-44	Hex Nut M8	1
12	PX90-51	Check Valve	1	37	PX90-19	Holder	1
13	PX90M-13	Safety Cup	1	38	PX90M-17	Alum. Tube	1
14	PX90-49-5	Spring	1	39	PX90M-23	Alum. Tube Base	1
15	PX90M-15	Bracket Base	1	40	PX90-38	Screw M5 x 16mm	1
16	PX90M-16	Arm	1	41	PX90-39	Nut M5	7
17	PX90-13	O Ring 154.3 x $\varnothing$ 3.5mm	1	42	PX90-16	Handle	1
18	PX90-02	Reservoir Tank	1	43	PX90-20	Cap	2
19	PX55-19	Pin	2	44	PX90-43	Screw M5 x 20mm	6
20	PX55-25	Screw $\varnothing$ 3.8 x 10mm	2	45	PX90-30	Main Suction Tube with Adapter	1
21	PX55-20	Float	1	46	PX90-31	Extracting Tube with Adapter	1
22	PX90-04	Tube Storage Unit	1	47	PX90-68	Connector	2
23	PX90-03	Base	1	48	PX90-29	Brake Tube with Rubber Fitting	1
24	PX90-34	Screw $\varnothing$ 6 x 15mm	4				
25	PX90-11	Footboard	1				