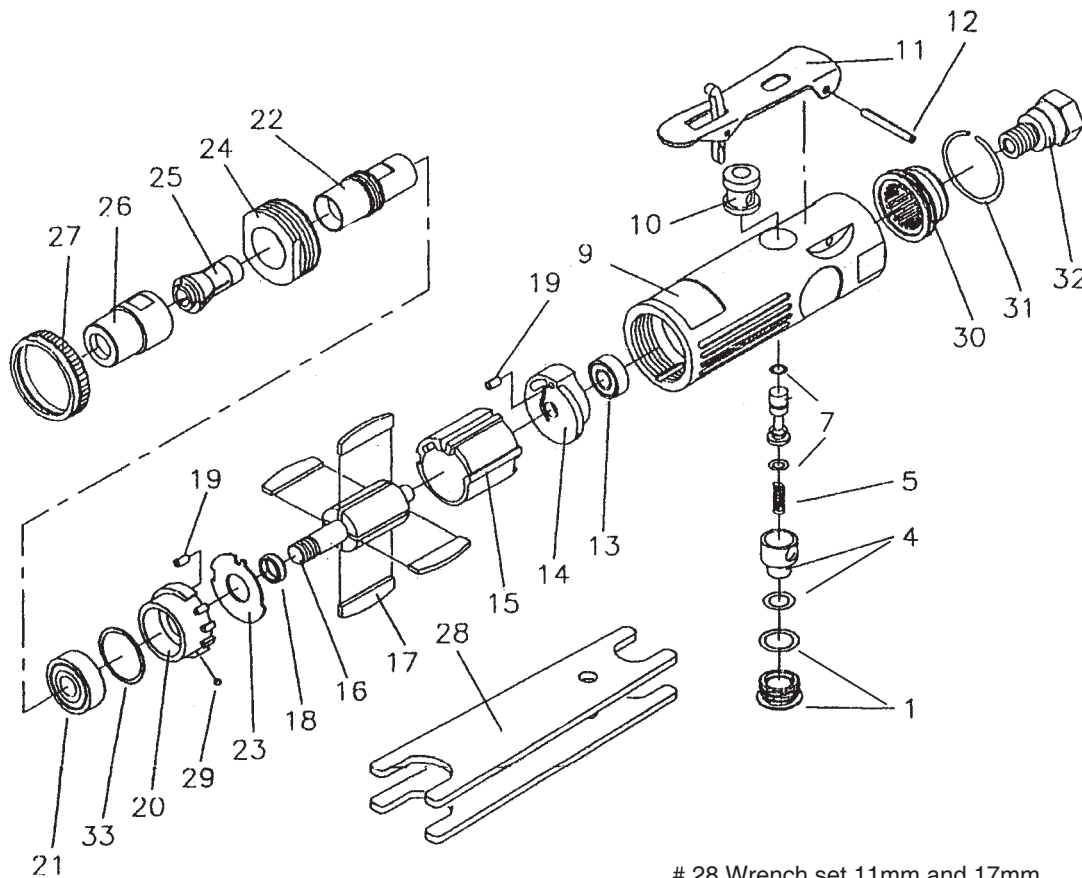


MDG1 0.3 HP MINI DIE GRINDER PRODUCT # 402109



28 Wrench set 11mm and 17mm
Picture does not match wrench

REF	PART NUMBER	DESCRIPTION	REQ	REF	PART NUMBER	DESCRIPTION	REQ
1	PUT-MDG1-1	PLUG SCREW	1	20	PUT-MDG1-20	BEARING PLATE	1
4	PUT-MDG1-4	VALVE STEM	1	21	PUT-MDG1-21	BEARING	1
5	PUT-MDG1-5	SPRING	1	22	PUT-MDG1-22	SPINDLE	1
7	PUT-MDG1-7	VALVE STEM	1	23	PUT-MDG1-23	STEEL PLATE	1
9	PUT-MDG1-9	MOTOR HOUSING	1	24	PUT-MDG1-24	LOCK RING	1
10	PUT-MDG1-10	VALVE BUSHING	1	25	PUT-MDG1-25	COLLET	1
11	PUT-MDG1-11	LEVER PIN	1	25	PUT-MDG1-25A	1/8" COLLET	1
12	PUT-MDG1-12	LEVER PIN	1	26	PUT-MDG1-26	COLLET NUT	1
13	PB696-2Z	BEARING	1	27	PUT-MDG1-27	HOUSING CAP	1
14	PUT-MDG1-14	BEARING PLATE	1	28	PUT-MDG1-28	WRENCH 11MM X 17MM	2
15	PUT-MDG1-15	CYLINDER	1	29	PUT-MDG1-29	BALL	1
16	PUT-MDG1-16	ROTOR	1	30	PUT-MDG1-30	MUFFLER	1
17	PUT-MDG1-17	ROTOR BLADE	4	31	PUT-MDG1-31	RETAINING RING	1
18	PUT-MDG1-18	ROTOR COLLAR	1	32	PUT-MDG1-32	AIR INLET	1
19	PUT-MDG1-19	LOCATING PIN	2	33	PUT-MDG1-33	SHIM PACK	0-2