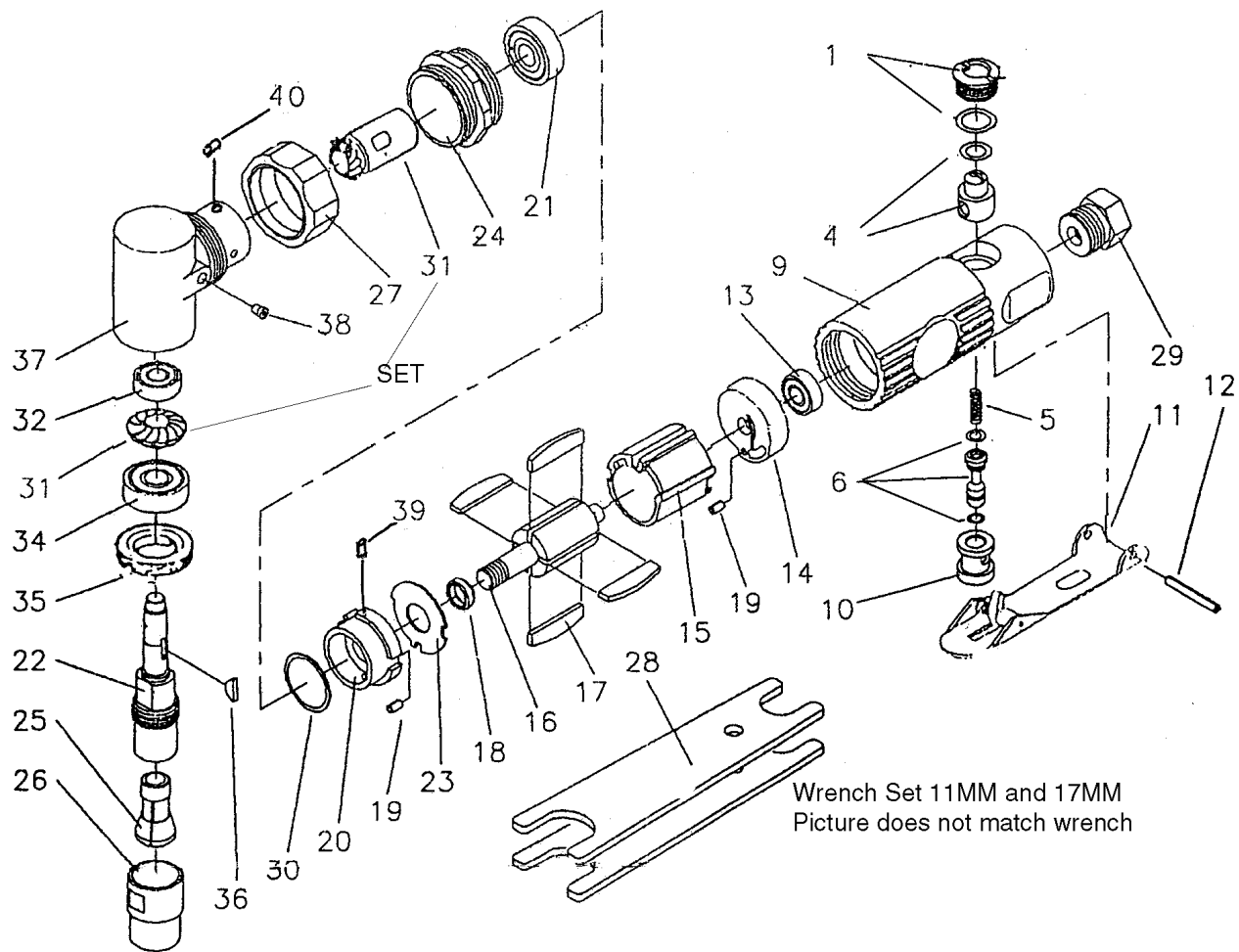


MDG90 0.3HP 90' MINI DIE GRINDER PRODUCT # 402110



REF	PART NUMBER	DESCRIPTION	REQ	REF	PART NUMBER	DESCRIPTION	REQ
1	PUT-MDG90-1	PLUG SCREW ORING	1	23	PUT-MDG90-23	STEEL PLATE	1
4	PUT-MDG90-4	AIR REGULATOR ORING	1	24	PUT-MDG90-24	LOCK RING	1
5	PUT-MDG90-5	VALVE SPRING	1	25	PUT-MDG90-25	COLLET	1
6	PUT-MDG90-6	VALVE STEM ORING	1	25	PUT-MDG1-25A	1/8" COLLET	1
9	PUT-MDG90-9	MOTOR HOUSING	1	26	PUT-MDG90-26	COLLET NUT	1
10	PUT-MDG90-10	VALVE BUSHING	1	27	PUT-MDG90-27	HOUSING CAP	1
11	PUT-MDG90-11	LEVER	1	28	PUT-MDG90-28	WRENCH SET	1
12	PUT-MDG90-12	LEVER PIN	1	29	PUT-MDG90-29	AIR INLET	1
13	PUT-MDG90-13	BEARING	1	30	PUT-MDG90-30	SHIM PACK	0-2
14	PUT-MDG90-14	BEARING PLATE	1	31	PUT-MDG90-31	PINTON GEAR SET	1
15	PUT-MDG90-15	CYLINDER	1	32	PUT-MDG90-32	REAR SPINDLE BEARING	1
16	PUT-MDG90-16	ROTOR	1	34	PUT-MDG90-34	BEARING	1
17	PUT-MDG90-17	ROTOR BLADE	4	35	PUT-MDG90-35	CLAMP NUT	1
18	PUT-MDG90-18	ROTOR COLLAR	1	36	PUT-MDG90-36	WOODRUFF KEY	1
19	PUT-MDG90-19	LOCATING PIN	2	37	PUT-MDG90-37	ANGLE HEAD HOUSING	1
20	PUT-MDG90-20	BEARING PLATE	1	38	PUT-MDG90-38	GREASE CAP	1
21	PUT-MDG90-21	BEARING	1	39	PUT-MDG90-39	LOCATING PIN	1
22	PUT-MDG90-22	SPINDLE	1	40	PUT-MDG90-40	LOCATING PIN	1