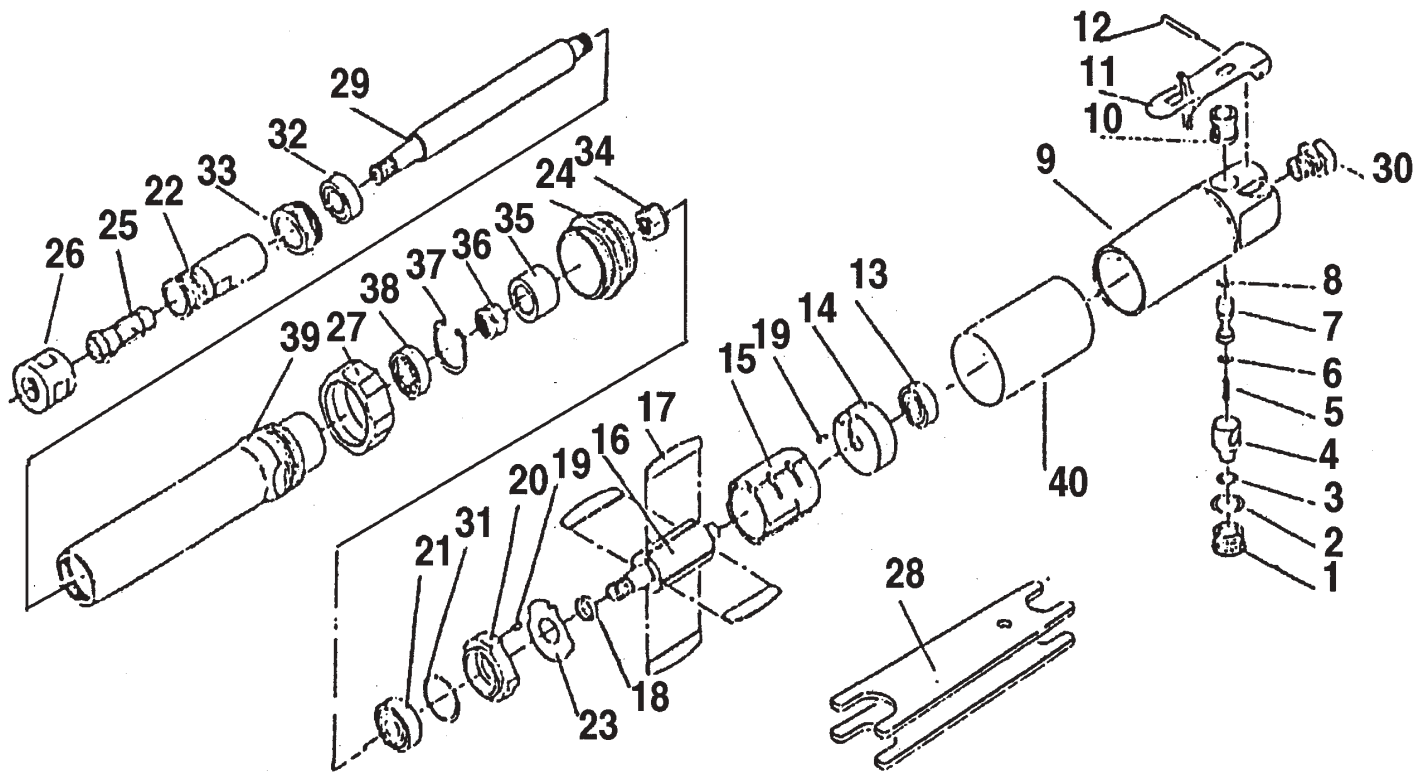


MG6HDE 6" .6HP EXT DIE GRINDER PRODUCT #402115



REF	PART NUMBER	DESCRIPTION	REQ	REF	PART NUMBER	DESCRIPTION	REQ
1	PUT-MG1HD-01	MG6HDE PLUG SCREW	1	21	PB6000-2Z	MG6HDE B/BRG	1
2	PUT-MG1HD-02	MG6HDE O-RING	1	22	PUT-MG6HDE-22	MG6HDE CHUCK BODY	1
3	PUT-MG1HD-03	MG6HDE O-RING	1	23	PUT-MG1HD-23	MG6HDE STEEL PLATE FRONT	1
4	PUT-MG1HD-04	MG6HDE AIR REGULATOR	1	24	PUT-MG6HDE-24	MG6HDE LOCK RING	1
5	PUT-MG1HD-05	MG6HDE VALVE SPRING	1	25	PUT-MG6HDE-25	MG6HDE COLLET 1/4"	1
6	PUT-MG1HD-06	MG6HDE O-RING	1	26	PUT-MG6HDE-26	MG6HDE COLLET NUT	1
7	PUT-MG1HD-07	MG6HDE VALVE STEM	1	27	PUT-MG6HDE-27	MG6HDE HOUSING CAP	1
8	PUT-MG1HD-08	MG6HDE O-RING	1	28	PUT-MG1HD-28	MG6HDE WRENCH 14MMX19MM	2
9	PUT-MG1HD-09	MG6HDE MOTOR HOUSING	1	29	PUT-MG6HDE-29	MG6HDE SPINDLE	1
10	PUT-MG1HD-10	MG6HDE VALVE BUSHING	1	30	PUT-MG6HDE-30	MG6HDE AIR INLET	1
11	PUT-MG1HD-11	MG6HDE LEVER	1	31	PUT-MG6HDE-31	MG6HDE SHIM PACK BRASS	0-2
12	PUT-MG1HD-12	MG6HDE LEVER PIN	1	32	PUT-MG6HDE-32	MG6HDE B/BRG:USE PB6000-2Z	1
13	PB608-2Z	MG6HDE B/BRG	1	33	PUT-MG6HDE-33	MG6HDE SPINDLE NUT	1
14	PUT-MG1HD-14	MG6HDE BEARING PLATE	1	34	PUT-MG6HDE-34	MG6HDE COUPLING NUT	1
15	PUT-MG1HD-15	MG6HDE CYLINDER	1	35	PUT-MG6HDE-35	MG6HDE COUPLING NUT	1
16	PUT-MG1HD-16	MG6HDE ROTOR	1	36	PUT-MG6HDE-36	MG6HDE RETAINING NUT	1
17	PUT-MG1HD-17	MG6HDE ROTOR BLADE	4	37	PUT-MG6HDE-37	MG6HDE RETAINING RING	1
18	PUT-MG1HD-18	MG6HDE ROTOR COLLAR	1	38	PUT-MG6HDE-38	MG6HDE BALL BRG FACTORY R6ZZ	1
19	PUT-MG1HD-19	MG6HDE LOCATING PIN	2	39	PUT-MG6HDE-39	MG6HDE SPINDLE HOUSING	1
20	PUT-MG1HD-20	MG6HDE BEARING PLATE	1	40	PUT-MG6HDE-40	MG6HDE HSG COVER BLUE VINYL	1