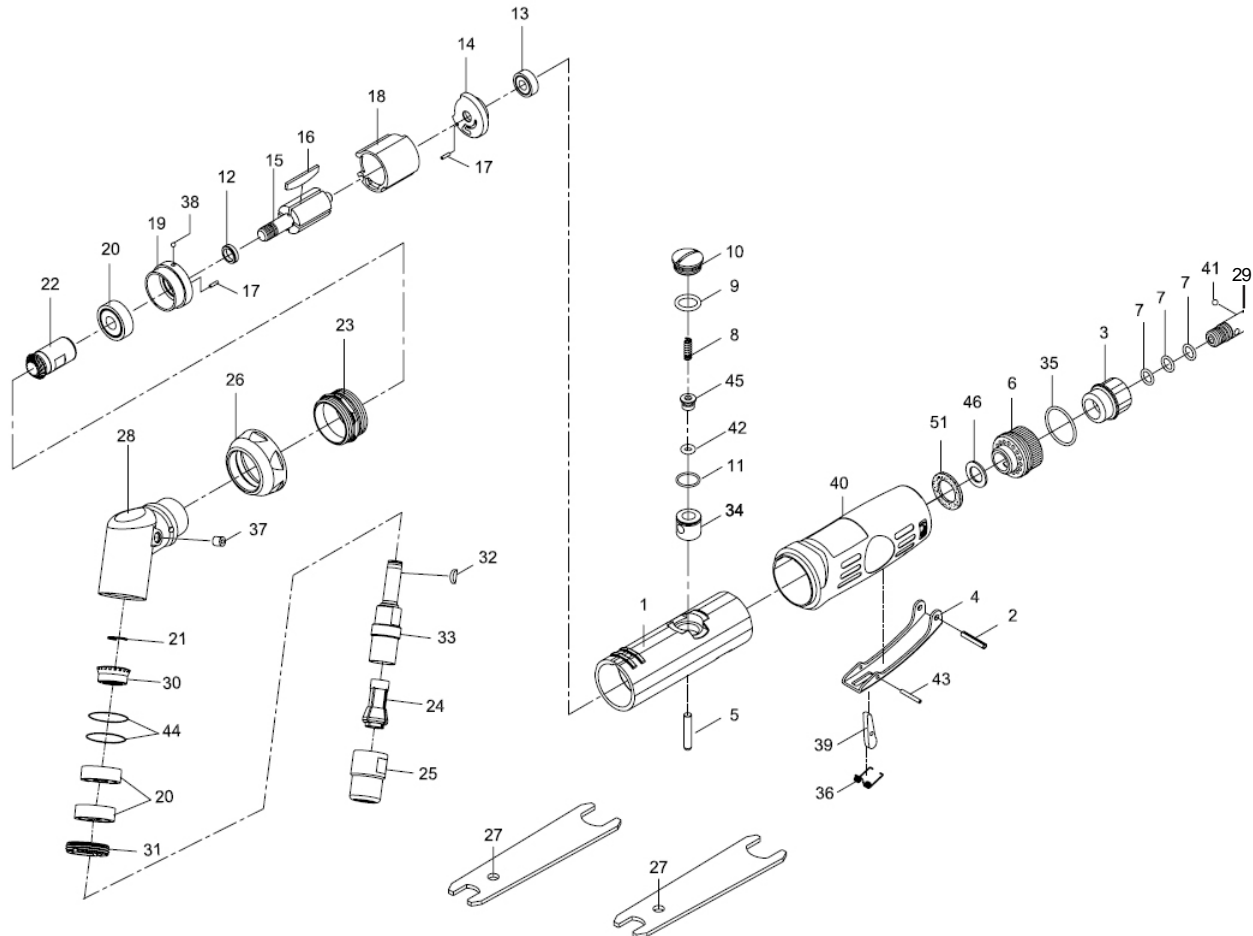


DG115HD1/4".3HP ANGLE DIE GRINDER PRODUCT # 402118



| REF | PART NUMBER | Description | REQ | REF | PART NUMBER | Description | REQ |
|-----|---------------|------------------------|-----|-----|---------------|--------------------|-----|
| 1 | PSM-DG115HD1 | MOTOR HOUSING | 1 | 25 | PSM-DG115HD25 | COLLET NUT | 1 |
| 2 | PSM-DG115HD2 | LEVER PIN (3*18L) | 1 | 26 | PSM-DG115HD26 | FRONT CAP | 1 |
| 3 | PSM-DG115HD3 | AIR INLET | 1 | 27 | PSM-DG115HD27 | SPANNER(2) | 2 |
| 4 | PSM-DG115HD4 | THROTTLE LEVER | 1 | 28 | PSM-DG115HD28 | HEAD | 1 |
| 5 | PSM-DG115HD5 | VALVE SHAFT | 1 | 29 | PSM-DG115HD29 | FIXED SHAFT | 1 |
| 6 | PSM-DG115HD6 | DEFLECTOR | 1 | 30 | PSM-DG115HD30 | BEVEL GEAR | 1 |
| 7 | PSM-DG115HD7 | O-RING (3) (7.5*1.5) | 3 | 31 | PSM-DG115HD31 | LOCK RING | 1 |
| 8 | PSM-DG115HD8 | SPRING | 1 | 32 | PSM-DG115HD32 | KEY | 1 |
| 9 | PSM-DG115HD9 | O-RING (9.8*1.9) | 1 | 33 | PSM-DG115HD33 | SPINDLE | 1 |
| 10 | PSM-DG115HD10 | VALVE SCREW | 1 | 34 | PSM-DG115HD34 | BUSING | 1 |
| 11 | PSM-DG115HD11 | O-RING 10.5*1) | 1 | 35 | PSM-DG115HD35 | O-RING (21.5*1.5) | 1 |
| 12 | PSM-DG115HD12 | ROTOR SPACER | 1 | 36 | PSM-DG115HD36 | SPRING | 1 |
| 13 | PB696-2Z | BALL BEARING (696ZZ) | 2 | 37 | PSM-DG115HD37 | OIL CAP (3/16") | 1 |
| 14 | PSM-DG115HD14 | REAR END PLATE | 1 | 38 | PSM-DG115HD38 | STEEL BALL (3/32") | 1 |
| 15 | PSM-DG115HD15 | ROTOR | 1 | 39 | PSM-DG115HD39 | SAFETY BAR | 1 |
| 16 | PSM-DG115HD16 | VANE (4) | 4 | 40 | PSM-DG115HD40 | GRIP | 1 |
| 17 | PSM-DG115HD17 | SPRING PIN (2) (1.5*6) | 2 | 41 | PSM-DG115HD41 | STEEL BALL | 1 |
| 18 | PSM-DG115HD18 | CYLINDER | 1 | 42 | PSM-DG115HD42 | O-RING | 1 |
| 19 | PSM-DG115HD19 | FRONT END PLATE | 1 | 43 | PSM-DG115HD43 | SPRING PIN | 1 |
| 20 | PB608-2Z | BALL BEARING (608ZZ) | 1 | 44 | PSM-DG115HD44 | SHIM | 1 |
| 21 | PSM-DG115HD21 | CRESCENT RINGS | 1 | 45 | PSM-DG115HD45 | THROTTLE VALVE | 1 |
| 22 | PSM-DG115HD22 | PINION GEAR | 1 | 46 | PSM-DG115HD46 | WASHER | 1 |
| 23 | PSM-DG115HD23 | FRONT COUPLING | 1 | 51 | PSM-DG115HD51 | DAMPING MATERIAL | 1 |
| 24 | PSM-DG115HD24 | COLLET | 1 | | | | |