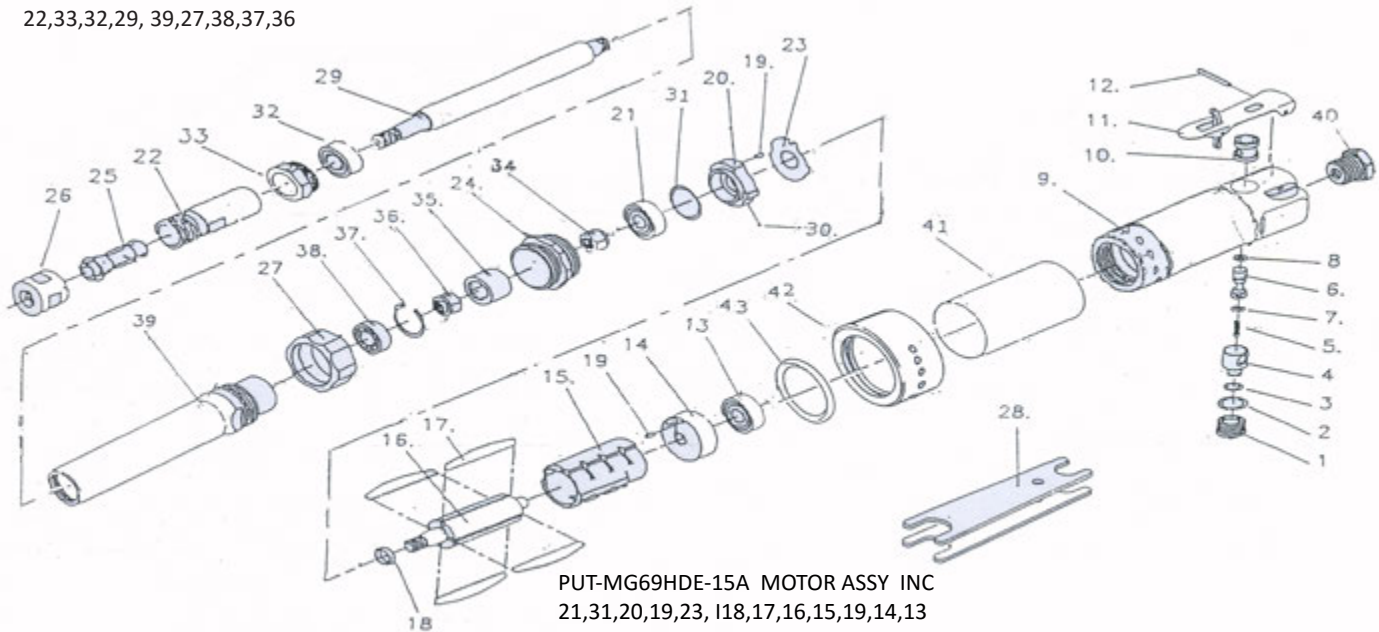


MG69HDE 0.9 HP 1/4" 6" EXT DIE GRINDER PRODUCT # 402124

PUT-MG69HDE-29A SHAFT ASSY INC #
22,33,32,29, 39,27,38,37,36



PUT-MG69HDE-15A MOTOR ASSY INC
21,31,20,19,23, 18,17,16,15,19,14,13

REF	PART NUMBER	DESCRIPTION	REQ	REF	PART NUMBER	DESCRIPTION	REQ
1	PUT-MG1HD-01	PLUG SCREEN	1	23	PUT-MG1HD-23	STEEL PLATE	1
2	PUT-MG1HD-02	O-RING	1	24	PUT-MG69HDE-24	LOCK RING	1
3	PUT-MG1HD-03	O-RING	1	25	PUT-0308A	COLLET- 1/4" STANDARD	1
4	PUT-MG1HD-04	AIR REGULATOR	1	26	PUT-MG6HDE-26	COLLET NUT	1
5	PUT-MG1HD-05	VALVE SPRING	1	27	PUT-MG6HDE-27	HOUSING CAP	1
6	PUT-MG1HD-06	VALVE STEM	1	28	PUT-MG1HD-28	WRENCH 14MM* 19MM	2
7	PUT-MG1HD-06	O-RING	2	29	PUT-MG6HDE-29	SPINDLE- 158MML	1
8	PUT-MG1HD-08	O-RING	1	30	PUT-MG69HDE-30	BALL	1
9	PUT-MG69HDE-09	MOTOR HOUSING	1	31	PUT-MG6HDE-31	SHIM PACK	2
10	PUT-MG1HD-10	VALVE BUSHING	1	32	PB6000-2Z	BEARING	1
11	PUT-MG1HD-11	LEVER	1	33	PUT-MG6HDE-33	SPINDLE NUT	1
12	PUT-MG1HD-12	LEVER PIN	1	34	PUT-MG6HDE-34	COUPLING NUT	1
13	PB608-2Z	BEARING	1	35	PUT-MG6HDE-35	COUPLING	1
14	PUT-MG1HD-14	BEARING PLATE	1	36	PUT-MG6HDE-36	COUPLING NUT	1
15	PUT-MG69HDE-15	CYLINDER- DUCTILE	1	37	PUT-MG6HDE-37	RETAINING RING	1
16	PUT-MG69HDE-16	ROTOR	1	38	PUT-MG6HDE-38	BEARING	1
17	PUT-MG69HDE-17	ROTOR BLADE EACH	4	39	PUT-MG69HDE-39	SPINDLE HOUSING 6-1/2"L	1
18	PUT-MG1HD-18	ROTOR COLLAR	1	40	PUT-MG6HDE-30	AIR INLET	1
19	PUT-MG1HD-19	LOCATION PIN	2	41	PUT-MG69HDE-41	HOUSING COVER	1
20	PUT-MG69HDE-20	BEARING PLATE	1	42	PUT-MG69HDE-42	MUFFLER RING	1
21	PB6000-2Z	BEARING	1	43	PUT-MG69HDE-43	O-RING	2
22	PUT-MG6HDE-22	CHUCK BODY- STANDARD	1				