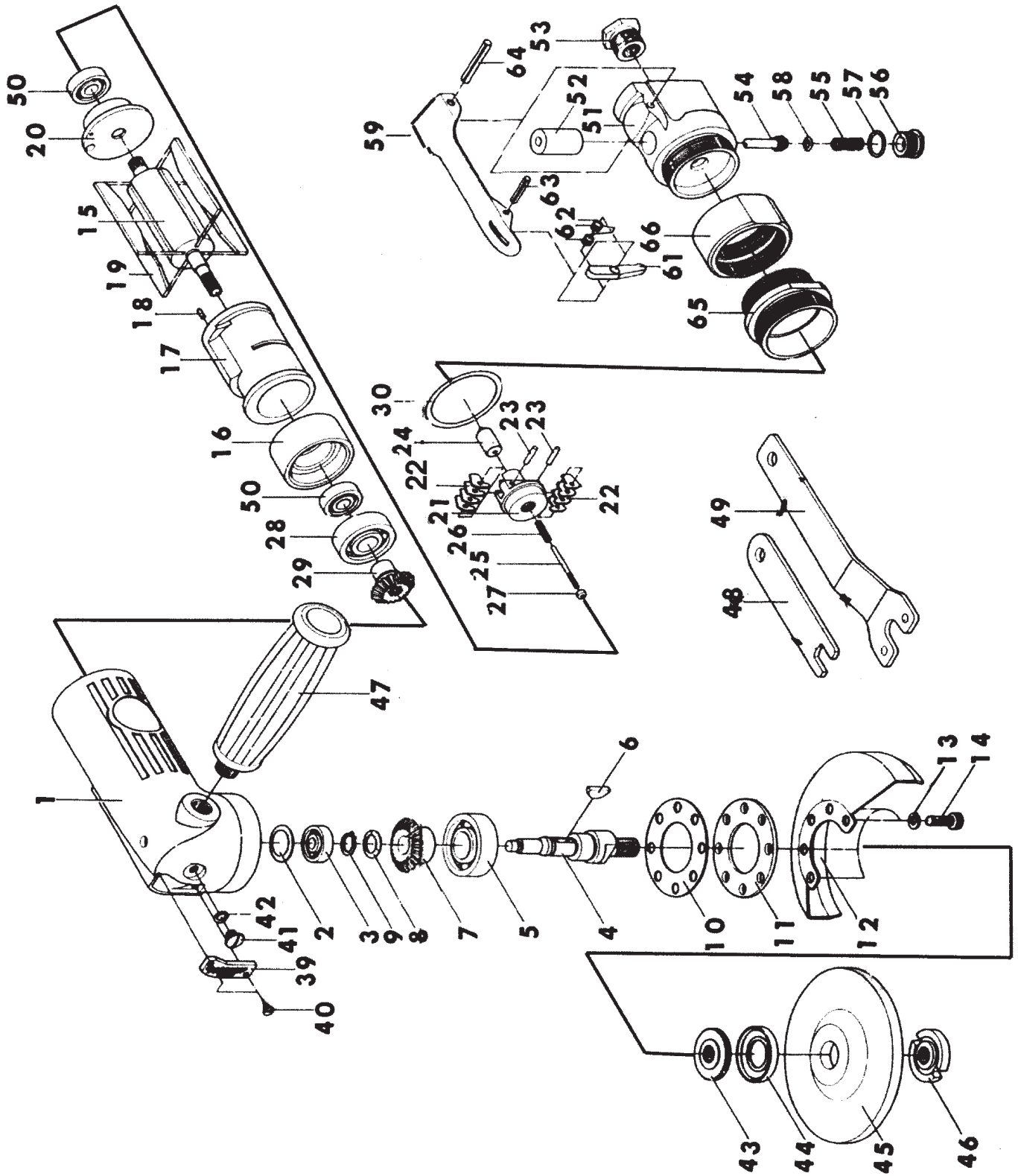


AG40L 4" ANGLE GRINDER PRODUCT # 402304



AG40L 4" ANGLE GRINDER PRODUCT # 402304

REF.	PART NUMBER	DESCRIPTION	REQ
1	PUT-DG40001	AG40L MOTOR HOUSING	1
2	PUT-DG40002	AG40L SEAL PLATE	1
3	PB626-2Z	AG40L BALL BRG	1
4	PUT-DG40004	AG40L ARBOR 10MMX1.25	1
5	PB6202-2Z	AG40L BALL BRG	1
6	PUT-WK0313A	AG40L WOODRUFF KEY	1
7	PUT-DG40007	AG40L BEV/GEAR: USE DG40K04 KIT	1
8	PUT-WW0010	AG40L WAVE WASHER	1
9	PUT-STW010	AG40L EXTERNAL STOP RING	1
10	PUT-DG40010	AG40L GASKET	1
11	PUT-DG40011	AG40L RETAINER	1
12	PUT-DG40012	AG40L CENTER WHEEL GUARD	1
13	PUT-SW1050A	AG40L SPRING WASHER (5)	5
14	PUT-B20512A	AG40L HEX/SKT CAP BOLT (5)	5
15	PUT-DG40015	AG40L ROTOR	1
16	PUT-DG40016	AG40L FRONT END PLATE	1
17	PUT-VP70017	AG40L CYLINDER	1
18	PUT-SP30060	AG40L SPRING PIN	1
19	PUT-VP70014	AG40L ROTOR BLADE (4)	4
20	PUT-VP70013	AG40L REAR END PLATE	1
21	PUT-DG40021	AG40L GOVERNOR:USE DG40K03 KIT	1
22	PUT-DG40022	AG40L PENDULUM: USE DG40K03 KIT	8
23	PUT-SP30120	AG40L S/PIN: USE DG40K03 KIT	2
24	PUT-DG40024	AG40L PLUNGER: USE DG40K03 KIT	1
25	PUT-DG40025	AG40L ADJ/SCREW: USE DG40K03 KIT	1
26	PUT-DG40026	AG40L SPRING: USE DG40K03 KIT	1
27	PUT-DG40027	AG40L ADJUST NUT: USE DG40K03 KIT	1
28	PB6201-2Z	AG40L BALL BRG	1
29	PUT-DG40029	AG40L BEV/PINION: USE DG40K04 KIT	1
30	PUT-DG40030	AG40L O-RING	1
39	PUT-DG40039	AG40L EXHAUST DEFLECTOR	1
40	PUT-T23008B	AG40L TAPPING SCREW (2)	2
41	PUT-PG38043	AG40L PLUG	1
42	PUT-ORP0040	AG40L O-RING	1
43	PUT-AG30052	AG40L FLANGE	1
44	PUT-AG30053	AG40L FLANGE RUBBER SHIELD	1
45	PUT-AG40059	AG40L GRINDING WHEEL: SALES	1
46	PUT-AG30054	AG40L FLANGE NUT	1
47	PUT-AP70047	AG40L HANDLE	1
48	PUT-DG40048	AG40L WRENCH A	1
49	PUT-AG30058	AG40L WRENCH (B)	1
50	PB608-2Z	AG40L BALL BRG	2
51	PUT-DG40051	AG40L T/V/HOUSING:USE DG40K01 KIT	1
52	PUT-DG40052	AG40L BUSHING: USE DG40K01 KIT	1
53	PUT-AR38001	AG40L A//BUSHING:USE DG40K01 KIT	1
54	PUT-DG40054	AG40L VALVE STEM	1
55	PUT-DG40055	AG40L VALVE SPRING	1
56	PUT-DG40056	AG40L THROTTLE HOUSING	1
57	PUT-ORP0120	AG40L O-RING: USE DG40K05 KIT	1
58	PUT-ORP0050	AG40L O-RING: USE DG40K05 KIT	1
59	PUT-DG40059	AG40L THROTTLE LEVER	1
61	PUT-DG40061	AG40L T/L/LOCK: USE DG40K02 KIT	1
62	PUT-DG40062	AG40L T/SPRING: USE DG40K02 KIT	1
63	PUT-SP30180	AG40L S/PIN: USE DG40K02 KIT	1
64	PUT-SP40300	AG40L SPRING PIN	1
65	PUT-DG40065	AG40L LOCK RING	1
66	PUT-DG40066	AG40L COUPLING NUT	1
67	PUT-DG40K01	AG40L THROTTLE VALVE KIT	1
68	PUT-DG40K02	AG40L THROTTLE LEVER KIT	1
69	PUT-DG40K03	AG40L GOVERNOR KIT	1
70	PUT-DG40K04	AG40L BEVEL GEAR KIT	1
71	PUT-DG40K05	AG40L O-RING KIT	1
72	PUT-DG99999	AG40L 5/8"X11 EXT THREAD ADP	1