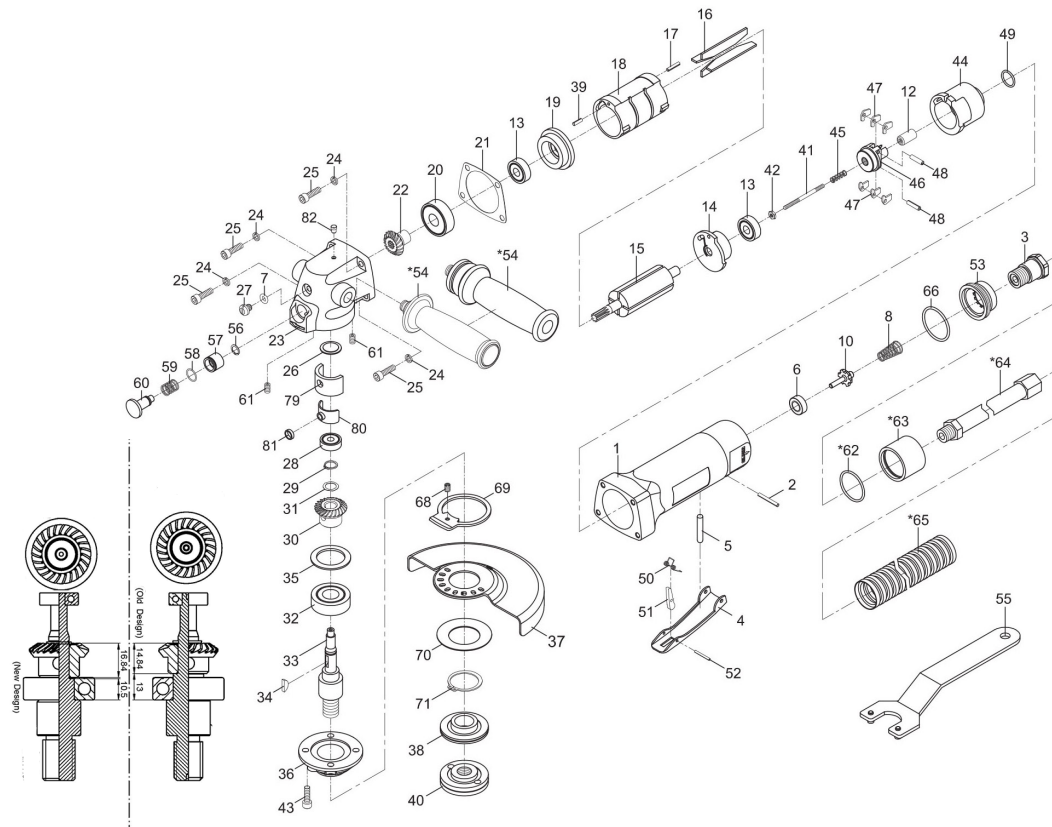


AG50HD 5" ANGLE GRINDER PRODUCT # 402313



REF	PART NUMBER	DESCRIPTION	REQ	REF	PART NUMBER	DESCRIPTION	REQ	REF	PART NUMBER	DESCRIPTION	REQ
1	PSM-AG50HD-1	MOTOR HOUSING	1	26	PSM-AG50HD-26	SPACER	1	48	PSM-AG50HD-48	SPRING PIN (3*12)	2
2	PSM-AG50HD-2	SPRING PIN (3*24L)	1	27	PSM-AG50HD-27	SCREW (M6*6)	1	50	PSM-AG50HD-50	SPRING	1
3	PSM-AG50HD-3	AIR INLET	1	28	PB626-2Z	BALL BEARING (626ZZ)	1	49	PSM-AG50HD-49	O-RING (13.5*1.5)	1
4	PSM-AG50HD-4	THROTTLE LEVER	1	29	PSM-AG50HD-29	RETAINING RING (STW-10)	1	50	PSM-AG50HD-50	SPRING	1
5	PSM-AG50HD-5	PIN	1	30	PSM-AG50HD-30	BEVEL GEAR	1	51	PSM-AG50HD-51	SAFETY BAR	1
6	PSM-AG50HD-6N	RUBBER SPACER	1	30	PSM-AG50HD-30A	BEVEL GEAR NEW STYLE	1	52	PSM-AG50HD-52	SPRING PIN (2*18)	1
7	PSM-AG50HD-7	O-RING (4.9*2.2)	1	31	PSM-AG50HD-31	WAVE WASHER (WW-10)	1	53	PSM-AG50HD-53	EXHAUST DIFFUSER	1
8	PSM-AG50HD-8	SPRING	1	32	PB6202-2Z	BALL BEARING (6202ZZ)	1	54	PSM-AG50HD-54	DEAD HANDLE	1
10	PSM-AG50HD-10	VALVE STEM	1	33	PSM-AG50HD-33	SPINDLE (5/8-11UNC)	1	55	PSM-AG50HD-55	PN WRENCH	1
12	PSM-AG50HD-12	PLUNGER	1	33	PSM-AG50HD-33A	SPINDLE NEW (5/8-11UNC)	1	56	PSM-AG50HD-56	RETAINING RING (ETW-4)	1
13	PB608-2Z	BALL BEARING (608ZZ)	2	34	PSM-AG50HD-34	KEY (3*13)	1	57	PSM-AG50HD-57	BUSHING	1
14	PSM-AG50HD-14	REAR PLATE	1	35	PSM-AG50HD-35	SPACER	1	58	PSM-AG50HD-58	O-RING (10.5*1)	1
15	PSM-AG50HD-15	ROTOR	1	36	PSM-AG50HD-36	BEARING CAP	1	59	PSM-AG50HD-59	SPRING	1
16	PSM-AG50HD-16	ROTOR BLADE	4	37	PSM-AG50HD-37	DISC COVER 5"	1	60	PSM-AG50HD-60	SPINDLE STOP BUTTON	1
17	PSM-AG50HD-17	SPRING PIN (2.5*12)	1	38	PSM-AG50HD-38	FLANGE 5/8-11UNC	1	61	PSM-AG50HD-61	SET SCREW (M5*8)	1
18	PSM-AG50HD-18	CYLINDER	1	39	PSM-AG50HD-39	SPRING PIN (2.5*8)	1	66	PSM-AG50HD-66	O-RING (29.5*2)	1
19	PSM-AG50HD-19	FRONT END PLATE	1	40	PSM-AG50HD-40	FLANGE NUT (5/8-11UNC)	1	68	PSM-AG50HD-68	SPRING	1
20	PB6201-2Z	BALL BEARING (6201Z)	1	41	PSM-AG50HD-41	ADJUST SCREW	1	69	PSM-AG50HD-69	LOCK RING	1
21	PSM-AG50HD-21	GASKET	1	42	PSM-AG50HD-42	ADJUST NUT	1	70	PSM-AG50HD-70	DISK SPRING	1
22	PSM-AG50HD-22	BEVEL GEAR	1	43	PSM-AG50HD-43	SCREW (M5*16)	4	71	PSM-AG50HD-71	RETAINER RING (STW-27)	1
23	PSM-AG50HD-23	GEAR HOUSING	1	44	PSM-AG50HD-44	INLET GUIDE	1	79	PSM-AG50HD-79	FELT OILER	1
24	PSM-AG50HD-24	WASHER	4	45	PSM-AG50HD-45	SPRING	1	80	PSM-AG50HD-80	STEADY	1
25	PSM-AG50HD-25	SCREW (5*20)	4	46	PSM-AG50HD-46	GOVERNOR	1	81	PSM-AG50HD-81	WASHER	1
				47	PSM-AG50HD-47	PENDULUM	6	82	PSM-AG50HD-82	OIL CAP	1
								XX	OPTIONAL	905781 Anti Vibration Hdle	1

