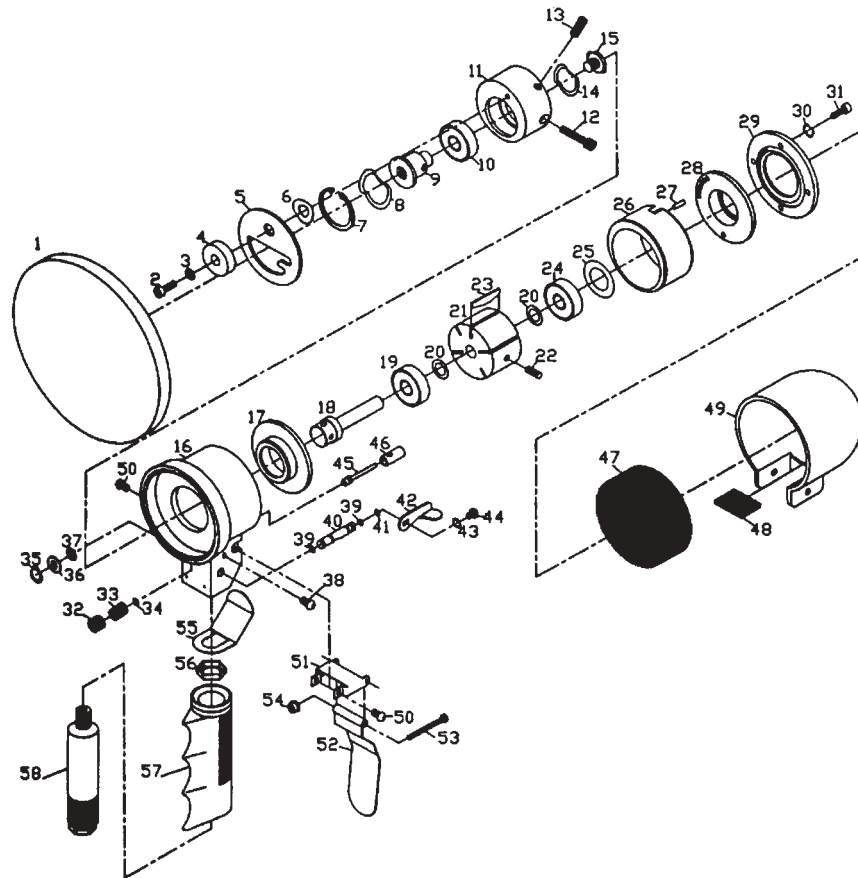


FS127Q 6" DUAL ACTION SANDER PRODUCT # 403201



REF	PART NUMBER	DESCRIPTION	REQ	REF	PART NUMBER	DESCRIPTION	REQ
1	905310	FS127Q 6" PAD	1	29	PUT-101029	FS127Q ROTOR COVER	1
2	PUT-101002	FS127Q CAP SCREW	1	31	PUT-101031	FS127Q ROTOR SCREW	4
3	PUT-101003	FS127Q SCREW WASHER	1	32	PUT-101032	FS127Q VALVE PLUG	1
4	PUT-101004	FS127Q BALANCE NUT	1	33	PUT-101033	FS127Q SPRING	1
5	PUT-101005	FS127Q DRIVE COVER	1	34	PUT-0300165	FS127Q O-RING	1
6	PUT-101006	FS127Q WAVE WASHER	1	35	PUT-00S056	FS127Q RETAINING RING	1
7	PUT-00R344	FS127Q FIXING RING	1	36	PUT-101036	FS127Q FLAT WASHER	1
8	PUT-101008	FS127Q WAVE WASHER	1	37	PUT-101037	FS127Q RUBBER WASHER	1
9	PUT-101009	FS127Q PAD NUT	1	38	PUT-101038	FS127Q SCREW	2
10	PB6201-2RS	FS127Q B/BRG	1	39	PUT-0300165	FS127Q O-RING	2
11	PUT-101011	FS127Q ORBITAL HUB	1	40	PUT-101040	FS127Q REGULATOR VALVE	1
12	PUT-101012	FS127Q SCREW	1	41	PUT-0250150	FS127Q O-RING	1
13	PUT-101013	FS127Q FIXING SCREW	1	42	PUT-101042	FS127Q REGULATOR SWITCH	1
14	PUT-101014	FS127Q WAVE WASHER	1	43	PUT-101043	FS127Q LOCK WASHER	1
15	PUT-101015	FS127Q FRONT SCREW	1	44	PUT-101044	FS127Q SCREW	1
16	PUT-101016	FS127Q VALVE BODY	1	45	PUT-101045	FS127Q PUSH ROD	1
17	PUT-101017	FS127Q REAR END PLATE	1	46	PUT-101046	FS127Q BUSHING	1
18	PUT-101018	FS127Q ROTOR SHAFT	1	47	PUT-101047	FS127Q MUFLER FILTER	1
19	PB6200-2Z	FS127Q B/BRG	1	48	PUT-101048	FS127Q MUFLER	1
20	PUT-101020	FS127Q SHIM	4	49	PUT-101049	FS127Q MUFLER COVER	1
21	PUT-101021	FS127Q ROTOR	1	50	PUT-101050	FS127Q SCREW	2
22	PUT-101022	FS127Q SET SCREW	1	51	PUT-101051	FS127Q LEVER BRACKET	1
23	PUT-101023	FS127Q ROTOR BLADES	5	52	PUT-101052	FS127Q SAFETY LEVER	1
24	PB6200-2Z	FS127Q B/RG	1	53	PUT-101053	FS127Q SCREW	1
25	PUT-101025	FS127Q BEARING SHIELD	1	54	PUT-101054	FS127Q HEX NUT	1
26	PUT-101026	FS127Q CYLINDER	1	55	PUT-101055	FS127Q LEVER BOOSTER	1
27	PUT-101027	FS127Q PIN	1	56	PUT-101056	FS127Q LEVER JAM NUT	1
28	PUT-101028	FS127Q FRONT END PLATE	1	57	PUT-101057	FS127Q PLASTIC HANDLE	1
				58	PUT-101058	FS127Q HOSE ADAPTER	1