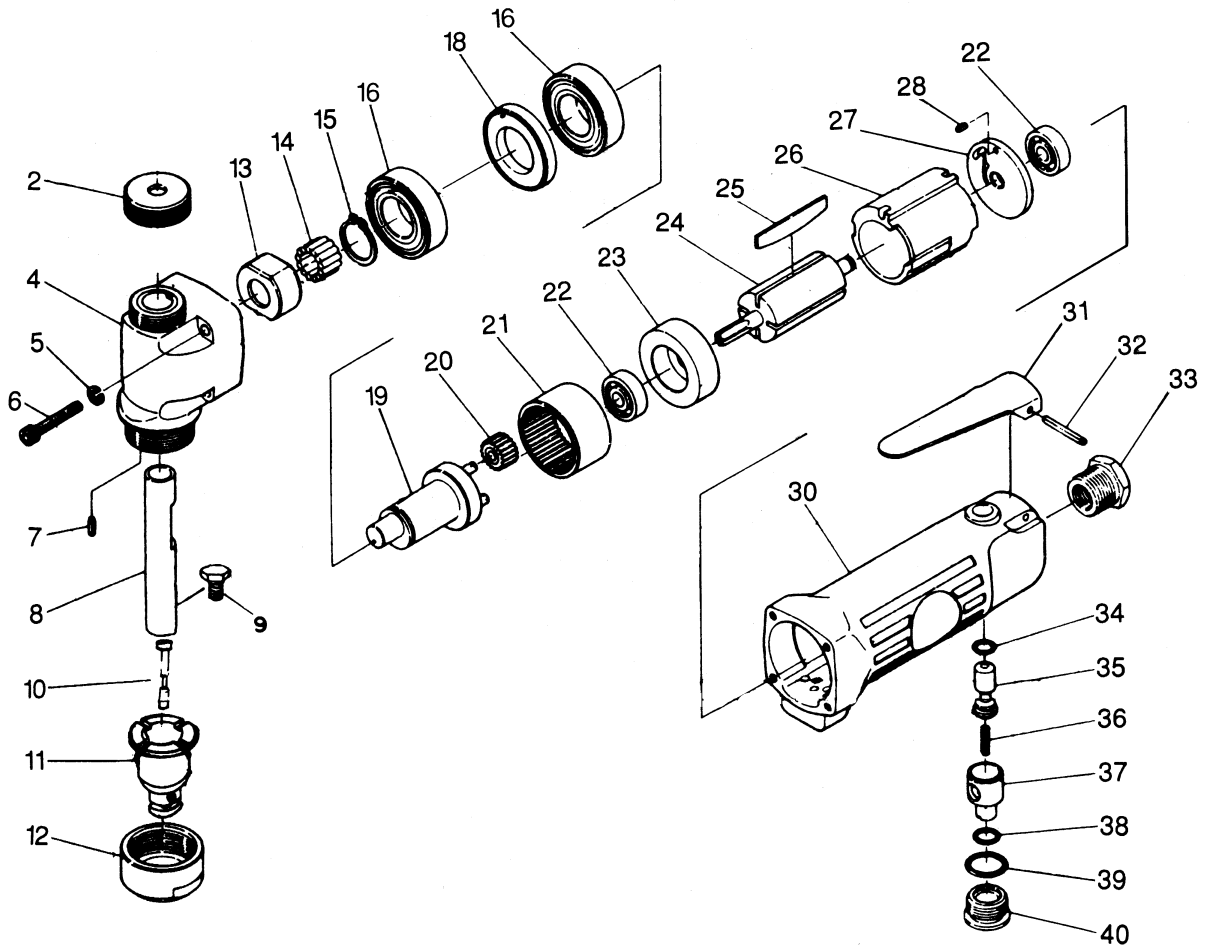


# AN16 AIR NIBBLER HEAVY DUTY PRODUCT # 404153



REF	PART NUMBER	DESCRIPTION	REQ	REF	PART NUMBER	DESCRIPTION	REQ
2	PUT-AN16-2	Head Cap	1	22	PB626-2Z	Ball Bearing (626ZZ)	2
4	PUT-AN16-4	Head Cap	1	23	PUT-AN16-23	Front End Plate	1
4A	PUT-AN16-4A	Head Bushing	1	24	PUT-AN16-24	Rotor	1
5	PUT-AN16-5	Washer (dia. 4)	1	25	PUT-AN16-25	Rotor Blade	4
6	PUT-AN16-6	Screw ( dia. 4 x 25)	4	26	PUT-AN16-26	Cylinder	1
7	PUT-AN16-7	Pin ( 2.5 x 5.8)	4	27	PUT-AN16-27	Rear End Plate	1
8	PUT-AN16-8	Slide Pin	1	28	PUT-AN16-28	Pin (dia.2.5 x 6 )	1
9	PUT-AN16-9	Set Screw	1	30	PUT-AN16-30	Motor Housing	1
10	PUT-AN16-10	Punch	1	31	PUT-AN16-31	Throttle Lever	1
11	PUT-AN16-11	Dies	1	32	PUT-AN16-32	Levr Pin ( dia. 3 x 23 )	1
12	PUT-AN16-12	Look Nut	1	33	PUT-AN16-33	Inlet Bushing	1
13	PUT-AN16-13	Cam	1	34	PUT-AN16-34	O-ring (3.6 x 2.4 )	1
14	PUT-AN16-14	NeedleRoller (Ae3x9.8)	13	35	PUT-AN16-35	Valve Stem	1
15	PUT-AN16-15	Retaining Ring	1	35A	PUT-AN16-35A	O-ring (P5)	1
16	PUT-AN16-16	Ball Bearing	2	36	PUT-AN16-36	Valve Spring	1
18	PUT-AN16-18	Space	1	37	PUT-AN16-37	Air Regulator	1
19	PUT-AN16-19	Crank Shaft	1	38	PUT-AN16-38	O-ring (P7)	1
19A	PUT-AN16-19A	Pin(dia 4 x 13.8 )	3	39	PUT-AN16-39	O-ring (P12)	1
20	PUT-AN16-20	Idler Gear	3	40	PUT-AN16-40	Throttle Valve Plug	1
21	PUT-AN16-21	Internal Gear	1	41	PUT-AN16-41	Valve Bushing	1