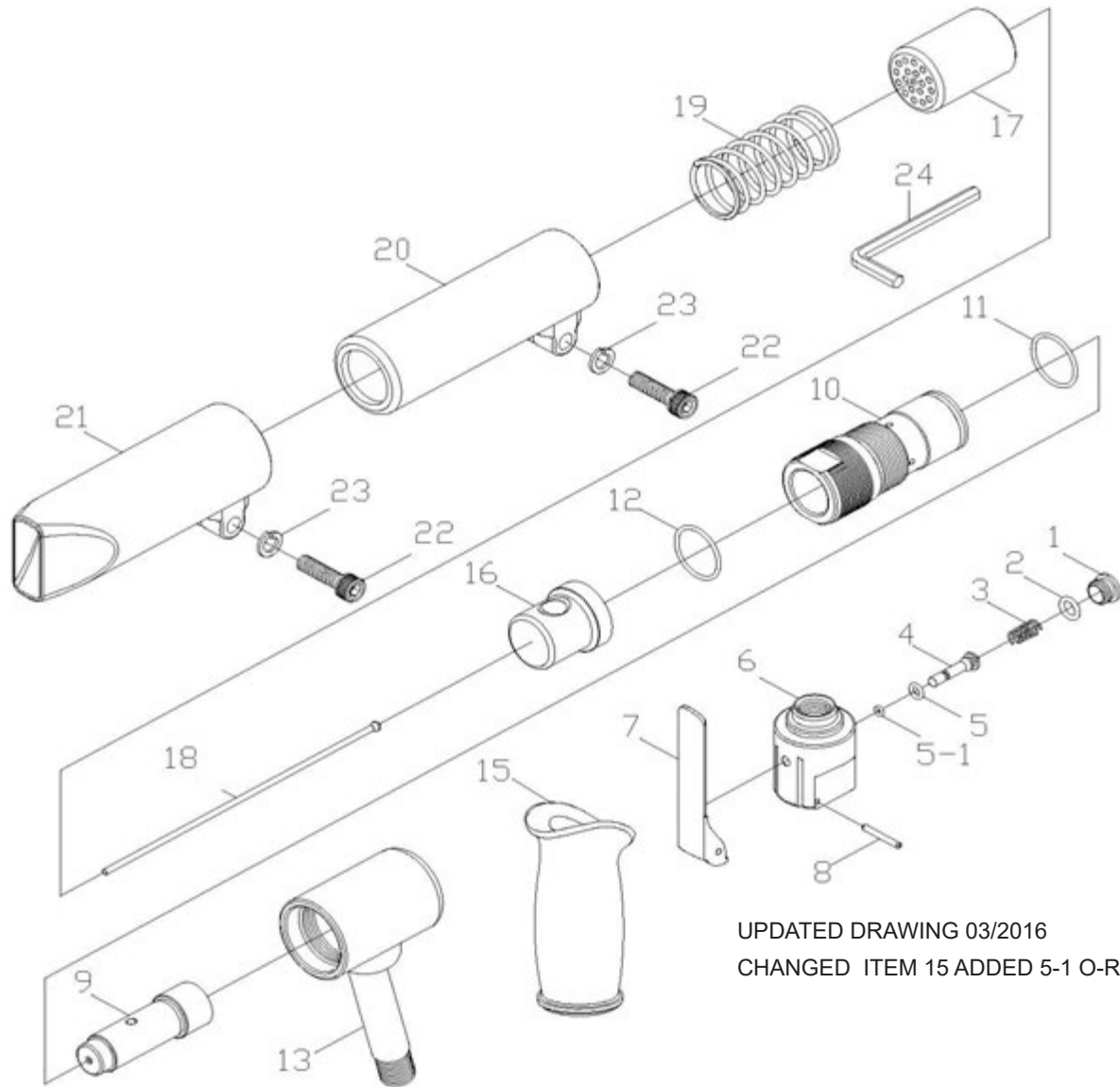


**NS260P NEEDLE SCALER PISTOL TYPE PRODUCT # 404228**



UPDATED DRAWING 03/2016  
 CHANGED ITEM 15 ADDED 5-1 O-RING

REF	PART NUMBER	DESCRIPTION	REQ	REF	PART NUMBER	DESCRIPTION	REQ
1	PUT-NS260P-1	VALVE CAP	1	12	PUT-NS260P-12	O RING	1
2	PUT-NS260P-2	O RING VALVE CAP	1	13	PUT-NS260P-13	PISTON HANDLE HOUSING	1
3	PUT-NS260P-3	VALVE SPRING	1	15	PUT-NS260P-15	RUBBER HANDLE GRIP	1
4	PUT-NS260P-4	VALVE STEM	1	16	PUT-NS260P-16	ANVIL	1
5	PUT-NS260P-5	O RING VALVE SEAT	1	17	PUT-NS260P-17	NEEDLE HOLDER	1
5-1	PUT-NS260P-5-1	O RING	1	18	905743	NEEDLES	19
6	PUT-NS260P-6	VALVE BODY	1	19	PUT-NS260P-19	SPRING	1
7	PUT-NS260P-7	THROTTLE LEVER	1	20	PUT-NS260P-20	INTERMEDIATE TUBE	1
8	PUT-NS260P-8	ROLL PIN	1	21	PUT-NS260P-21	FRONT TUBE	1
9	PUT-NS260P-9	PISTON	1	22	PUT-NS260P-22	CAP HEAD SCREW	2
10	PUT-NS260P-10	CYLINDER	1	23	PUT-NS260P-23	WASHER	2
11	PUT-NS260P-11	O RING	1				