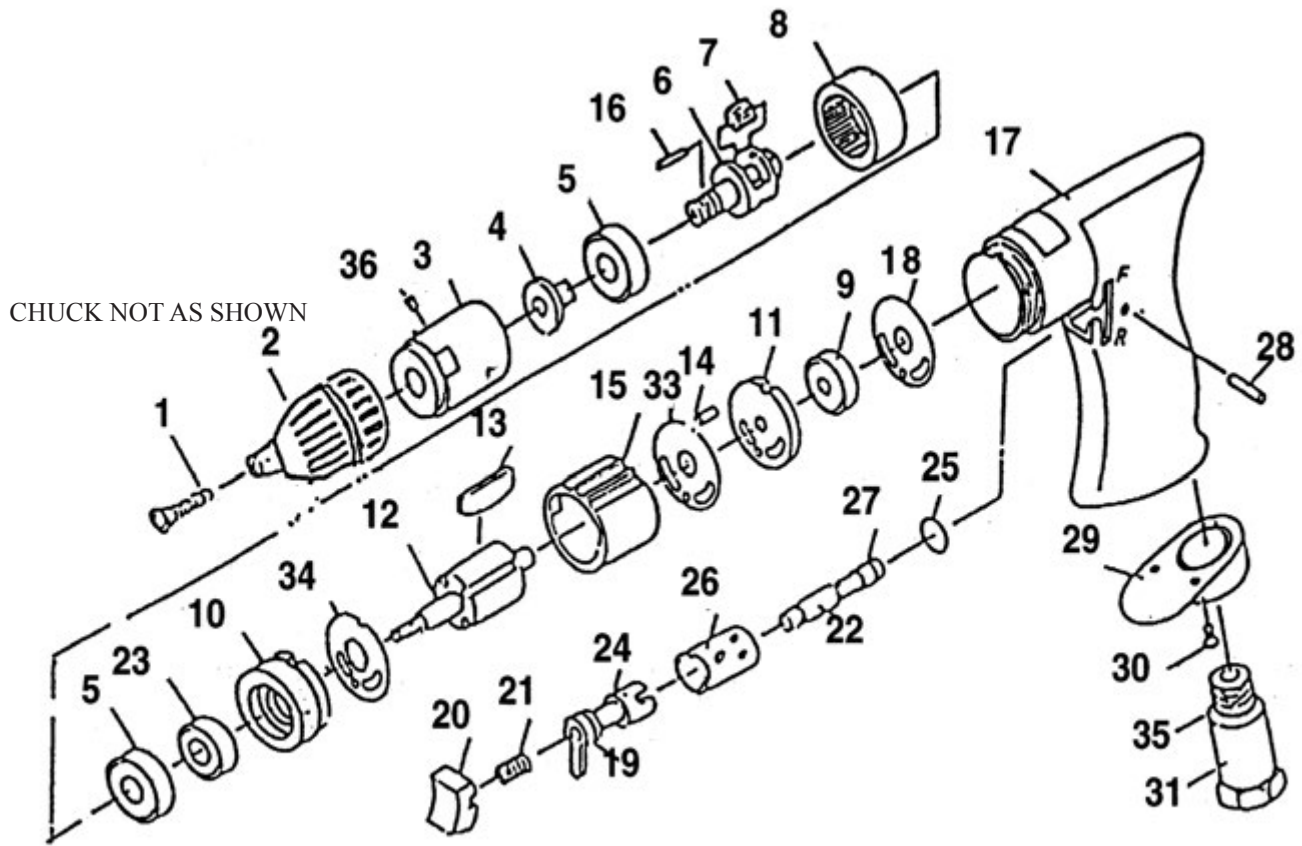


ADR380HD 3/8" Heavy Duty Reversible Drill Product # 404412



REF	PART NUMBER	DESCRIPTION	REQ	REF	PART NUMBER	DESCRIPTION	REQ
1	PUT-AD380HDR-01	AD380HDR CHUCK SCREW	1	18	PUT-AD380HDR-18	AD380HDR MOTOR GASKET	1
2	905755	CHUCK	1	19	PUT-AD380HDR-19	AD380HDR VALVE BUSHING SEAL	1
3	PUT-AD380HDR-03	AD380HDR GEAR CASE HOUSING	1	20	PUT-AD380HDR-20	AD380HDR TRIGGER CAST	1
4	PUT-AD380HDR-04	AD380HDR PHEONLIC WASHER	1	21	PUT-AD380HDR-21	AD380HDR VALVE SPRING	1
5	PB6001-2Z	AD380HDR B/BRG	2	22	PUT-AD380HDR-22	AD380HDR THROTTLE VALVE	1
6	PUT-AD380HDR-06	AD380HDR PLANET CARRIER	1	23	PUT-AD380HDR-23	AD380HDR B/BRG:USE PB608-2Z	1
7	PUT-AD380HDR-07	AD380HDR PLANET GEAR	2	24	PUT-AD380HDR-24	AD380HDR REVERSE VALVE	1
8	PUT-AD380HDR-08	AD380HDR INTERNAL GEAR	1	25	PUT-AD380HDR-25	AD380HDR O-RING	1
9	PB626-2Z	AD380HDR B/BRG	1	26	PUT-AD380HDR-26	AD380HDR REVERSE VALVE BSG	1
10	PUT-AD380HDR-10	AD380HDR BEARING PLATE	1	27	PUT-AD380HDR-27	AD380HDR O-RING	1
11	PUT-AD380HDR-11	AD380HDR END PLATE	1	28	PUT-AD380HDR-28	AD380HDR PIN	1
12	PUT-AD380HDR-12	AD380HDR ROTOR	1	29	PUT-AD380HDR-29	AD380HDR EXHAUST DIFFUSER	1
13	PUT-AD380HDR-13	AD380HDR ROTOR BLADE (5)	5	30	PUT-AD380HDR-30	AD380HDR SCREW	2
14	PUT-AD380HDR-14	AD380HDR PIN	1	31	PUT-AD380HDR-31	AD380HDR AIR INLET	1
15	PUT-AD380HDR-15	AD380HDR CYLINDER	1	33	PUT-AD380HDR-33	AD380HDR STEEL PLATE REAR	1
16	PUT-AD380HDR-16	AD380HDR PLANET GEAR SHAFT	2	34	PUT-AD380HDR-34	AD380HDR STEEL PLATE FRONT	1
17	PUT-AD380HDR-17	AD380HDR MOTOR HOUSING	1	35	PUT-AD380HDR-35	AD380HDR O-RING	1
				36	PUT-AD380HDR-36	AD380HDR GREASE CAP	1
	**	905753		**	905753	KEYLESS CHUCK OPT ACC	1
	**	905751		**	905751	RUBBER GRIP	1
	**	PUT-905755-K		**	PUT-905755-K	CHUCK KEY FOR 905755	
	**	PUT-AD380HDR-02K		**	PUT-AD380HDR-02K	CHUCK KEY FOR STANDARD CHUCK	